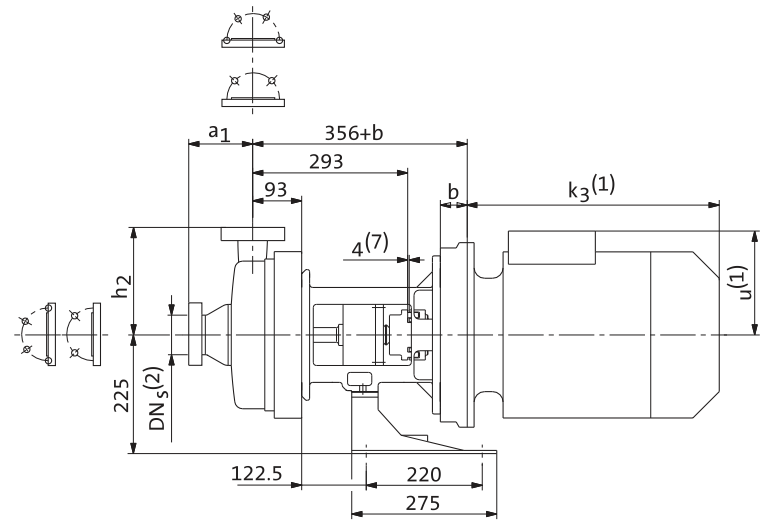


MAXANA Pump Model appx. 2900 rpm.	P2 kW	IEC Size	Dimensions of pump						DN ⁽⁶⁾	DN ⁽⁶⁾	Net weight ≈ lbs.
			k ₃	u ⁽¹⁾	a	h ₂	p ⁽⁴⁾	b			
32-160	3.0	100L	12.6	6.89	3.15	6.3	10.4	0	1.969 (2.559)	1.26 (1.575)	156.53
	4.0	112M	13.4	7.28	3.15	6.3	10.4	0			171.96
	5.5	132S	15.35	8.1	3.15	6.3	10.4	0.79			198.42
32-200	3.0	100L	12.6	6.89	3.15	7.1	12.44	0	2.559 (3.15)	1.969 (2.559)	169.76
	4.0	112M	13.4	7.28	3.15	7.1	12.44	0			185.19
	5.5	132S	15.35	8.1	3.15	7.1	12.44	0.79			211.64
	7.5	132S	15.35	8.1	3.15	7.1	12.44	0.79			233.69
	11.0	160M	19.3	9.45	3.15	7.1	12.44	2.0			279.99
40-160	4.0	112M	13.4	7.68	3.15	6.3	10.4	0	2.559 (3.15)	1.575 (1.969)	174.17
	5.5	132S	15.35	8.1	3.15	6.3	10.4	0.79			200.62
	7.5	132S	15.35	8.1	3.15	6.3	10.4	0.79			222.67
	11.0	160M	19.3	9.45	3.15	6.3	10.4	2.0			308.65
40-200	7.5	132S	15.35	8.1	3.94	7.1	12.44	0.79	3.15 (3.937)	2.559 (3.15)	235.89
	11.0	160M	19.3	11.42	3.94	7.1	12.44	2.0			277.78
	15.0	160M	19.3	11.42	3.94	7.1	12.44	2.0			306.44
50-125	3.0	100L	12.6	6.89	3.94	6.3	10.4	0	3.15 (3.937)	2.559 (3.15)	167.55
	4.0	112M	13.4	7.28	3.94	6.3	10.4	0			182.98
	5.5	132S	15.35	8.1	3.94	6.3	10.4	0.79			209.44
	7.5	132S	15.35	8.1	3.94	6.3	10.4	0.79			231.49
50-160	5.5	132S	15.35	8.1	3.94	7.1	11.34	0.79	3.15 (3.937)	2.559 (3.15)	205.03
	7.5	132S	15.35	8.1	3.94	7.1	11.34	0.79			227.08
	11.0	160M	19.3	9.45	3.94	7.1	11.34	2.0			253.53
	15.0	160M	19.3	9.45	3.94	7.1	11.34	2.0			297.62
50-200	11.0	160M	19.3	9.45	3.94	7.9	12.44	2.0	3.15 (3.937)	2.559 (3.15)	284.4
	15.0	160M	19.3	9.45	3.94	7.9	12.44	2.0			313.06
65-125	4.0	112M	13.4	7.28	3.94	7.1	11.34	0	3.15 (3.937)	2.559 (3.15)	189.6
	5.5	132S	15.35	8.1	3.94	7.1	11.34	0.79			216.05
	7.5	132S	15.35	8.1	3.94	7.1	11.34	0.79			238.1
65-160	5.5	132S	15.35	8.1	3.94	7.9	12.13	0.79	3.15 (3.937)	2.559 (3.15)	216.05
	7.5	132S	15.35	8.1	3.94	7.9	12.13	0.79			238.1
	11.0	160M	19.3	9.45	3.94	7.9	12.13	2.0			279.99
	15.0	160M	19.3	9.45	3.94	7.9	12.13	2.0			308.65
65-200	11.0	160M	19.3	9.45	3.94	8.86	13.7	2.0	3.15 (3.937)	2.559 (3.15)	295.42
	15.0	160M	19.3	9.45	3.94	8.86	13.7	2.0			324.08




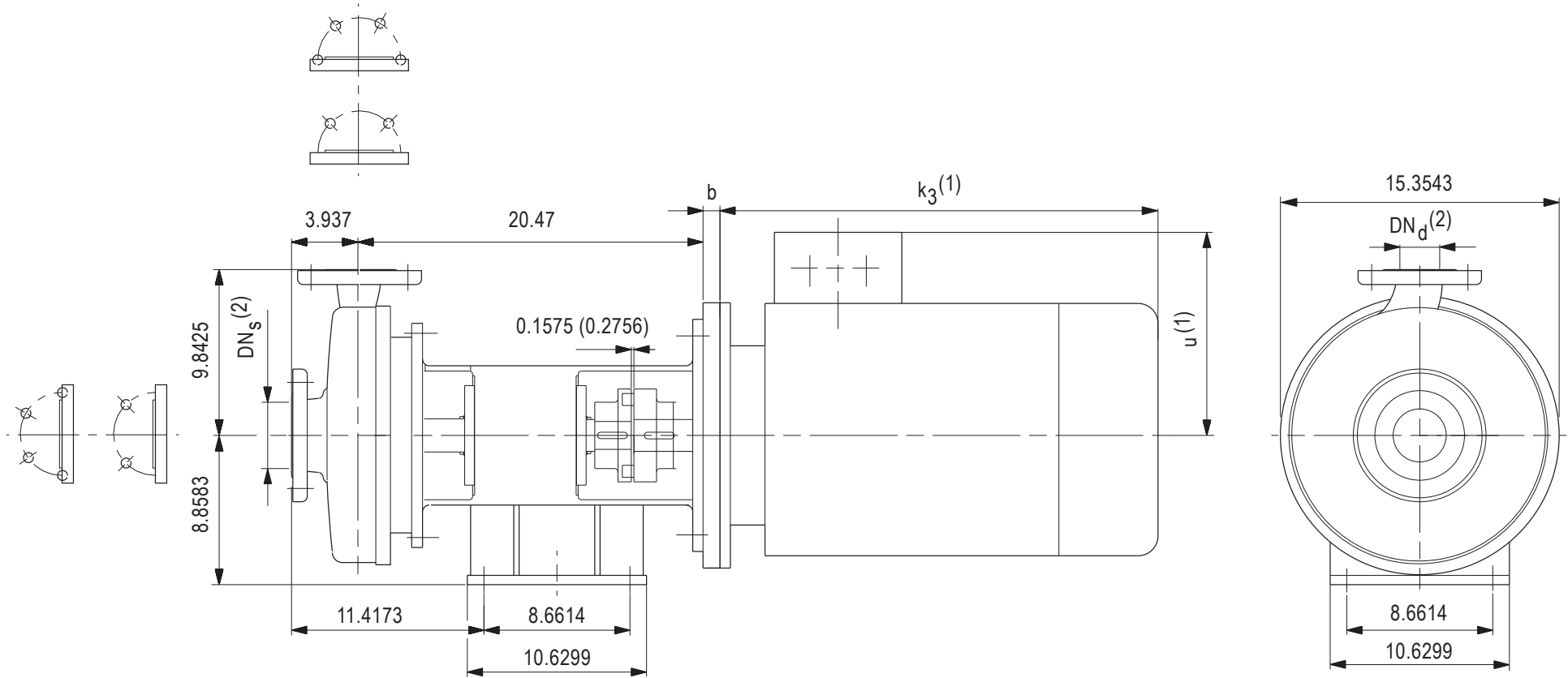
Inches

MAXANA

MAXANA Adapta[®] on stainless steel foot

- (1) Dimensions depend on housing size (DNs, DNd, a1, h2)
- (2) Motor dimensions depend on make, max. size basic design give.
- (3) Flange dimensions are according to DIN EN 1092-1 (DIN 2632).
- (4) Nominal diameter in parenthesis are available upon request.
- (5) Largest diameter of pump without motor.
- (6) N-Expe coupling

**Shanley Pump
& Equipment, Inc.**




MAXANA

Pump Model

appx. 2900 rpm.

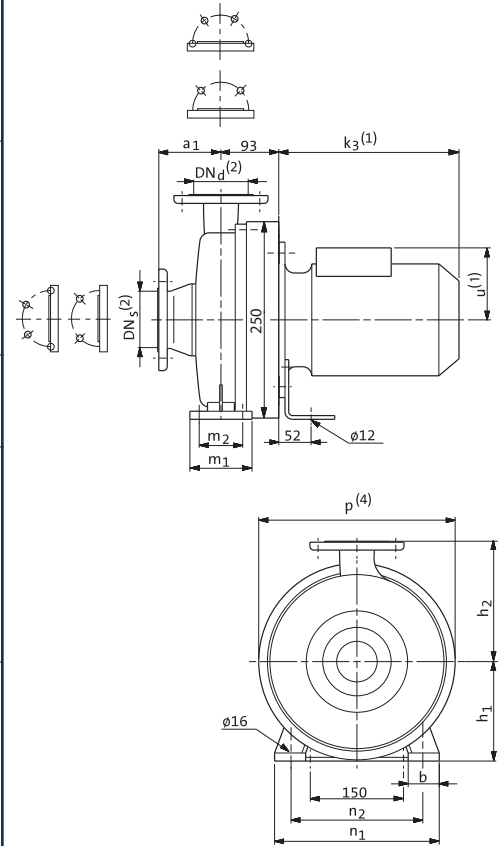
MAXANA

MAXANA Adapta[®] on Adapta[®] foot

Shanley Pump
& Equipment, Inc.



MAXANA Pump Model appx. 2900 rpm.	P2 kW	IEC Size	Dimensions of pump											DN ⁽⁶⁾	DN ⁽⁶⁾	Net weight ≈ lbs.
			k ₃ ⁽¹⁾	u ⁽¹⁾	a ¹	h ₁	h ₂	p ⁽⁴⁾	m ₁	m ₂	n ₁	n ₂	b			
32-160	0.55	80	9.65	5.71	3.15	5.2	6.3	10.4	3.94	2.76	9.45	7.48	1.97	1.969 (2.559)	1.26 (1.575)	59.52
	0.75	90S	11.22	5.91	3.15	5.2	6.3	10.4	3.94	2.76	9.45	7.48	1.97			61.73
32-200	0.75	90S	11.22	5.91	3.15	6.3	7.1	12.4	3.94	2.76	9.45	7.48	1.97	1.969 (2.559)	1.26 (1.575)	74.96
	1.1	90S	11.22	5.91	3.15	6.3	7.1	12.4	3.94	2.76	9.45	7.48	1.97			81.57
40-160	0.55	80	9.65	5.71	3.15	5.2	6.3	10.4	3.94	2.76	9.45	7.48	1.97	2.559 (3.15)	1.575 (1.969)	61.73
	0.75	90S	11.22	5.91	3.15	5.2	6.3	10.4	3.94	2.76	9.45	7.48	1.97			63.93
	1.1	90S	11.22	5.91	3.15	5.2	6.3	10.4	3.94	2.76	9.45	7.48	1.97			70.55
	1.5	90L	11.22	5.91	3.15	5.2	6.3	10.4	3.94	2.76	9.45	7.48	1.97			77.16
40-200	1.1	90S	11.22	5.91	3.94	6.3	7.1	12.4	3.94	2.76	10.4	8.35	1.97	2.559 (3.15)	1.575 (1.969)	83.78
	1.5	90L	11.22	5.91	3.94	6.3	7.1	12.4	3.94	2.76	10.4	8.35	1.97			90.39
	2.2	100L	12.6	6.89	3.94	6.3	7.1	12.4	3.94	2.76	10.4	8.35	1.97			105.82
50-125	0.55	80	9.65	5.71	3.94	5.2	6.3	10.4	3.94	2.76	9.45	7.48	1.97	2.559 (3.15)	1.969 (2.559)	70.55
	0.75	90S	11.22	5.91	3.94	5.2	6.3	10.4	3.94	2.76	9.45	7.48	1.97			72.75
	1.1	90S	11.22	5.91	3.94	5.2	6.3	10.4	3.94	2.76	9.45	7.48	1.97			79.37
50-160	1.1	90S	11.22	5.91	3.94	6.3	7.1	11.3	3.94	2.76	10.4	7.48	1.97	2.559 (3.15)	1.575 (1.969)	74.96
	1.5	90L	11.22	5.91	3.94	6.3	7.1	11.3	3.94	2.76	10.4	8.35	1.97			83.78
	2.2	100L	12.6	6.89	3.94	6.3	7.1	11.3	3.94	2.76	10.4	8.35	1.97			97.0
50-200	1.5	90L	11.22	5.91	3.94	6.3	7.9	12.4	3.94	2.76	10.4	8.35	1.97	3.15 (3.937)	2.559 (3.15)	97.0
	2.2	100L	12.6	6.89	3.94	6.3	7.9	12.4	3.94	2.76	10.4	8.35	1.97			112.44
	3.0	100L	12.6	6.89	3.94	6.3	7.9	12.4	3.94	2.76	10.4	8.35	1.97			116.84
	4.0	112M	13.39	7.28	3.94	6.3	7.9	12.4	3.94	2.76	10.4	8.35	1.97			127.87
65-125	0.75	90S	11.22	5.91	3.94	6.3	7.1	11.3	4.92	3.74	11.02	8.35	2.56	3.15 (3.937)	2.559 (3.15)	79.37
	1.1	90S	11.22	5.91	3.94	6.3	7.1	11.3	4.29	3.74	11.02	8.35	2.56			85.98
65-160	0.75	90S	11.22	5.91	3.94	6.3	7.9	12.1	4.92	3.74	11.02	8.35	2.56	3.15 (3.937)	2.559 (3.15)	79.37
	1.1	90S	11.22	5.91	3.94	6.3	7.9	12.1	4.29	3.74	11.02	8.35	2.56			85.98
	1.5	90L	11.22	5.91	3.94	6.3	7.9	12.1	4.92	3.74	11.02	8.35	2.56			94.8
	2.2	100L	12.6	6.89	3.94	6.3	7.9	12.1	4.29	3.74	11.02	8.35	2.56			108.03
	3.0	100L	12.6	6.89	3.94	6.3	7.9	12.1	4.92	3.74	11.02	8.35	2.56			112.44
65-200	1.5	90L	11.22	5.91	3.94	7.1	8.9	13.7	4.29	3.74	12.6	9.84	2.56	3.15 (3.937)	2.559 (3.15)	110.23
	2.2	100L	12.6	6.89	3.94	7.1	8.9	13.7	4.92	3.74	12.6	9.84	2.56			123.46
	3.0	100L	12.6	6.89	3.94	7.1	8.9	13.7	4.29	3.74	12.6	9.84	2.56			127.87
	4.0	112M	13.39	7.28	3.94	7.1	8.9	13.7	4.92	3.74	12.6	9.84	2.56			138.89
	5.5	112M	13.39	7.28	3.94	7.1	8.9	13.7	4.29	3.74	12.6	9.84	2.56			167.55



Inches

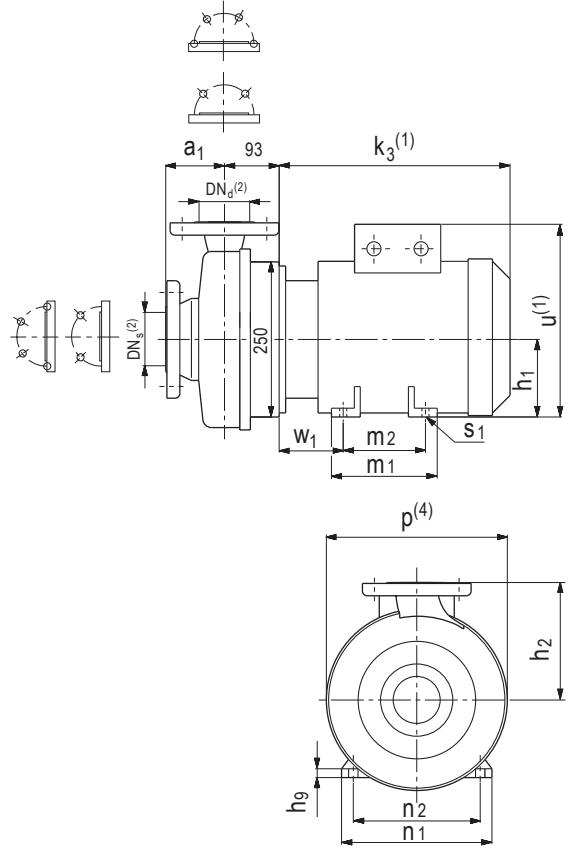
MAXANA

MAXANA Bloc on pump and motor foot

Shanley Pump
& Equipment, Inc.



MAXANA Pump Model appx. 2900 rpm.	P2 kW	IEC Size	Dimensions of pump										DN ⁽⁶⁾		Net weight ≈ lbs.
			a ₁	h ₁	h ₂	p	m ₁	m ₂	n ₁	n ₂	h _g	s ₁	DN ⁽⁶⁾	DN ⁽⁶⁾	
32-200	7.5	132S	3.15	5.2	7.1	12.4	7.1	5.5	10.1	8.5	0.59	0.47	1.969 (2.559)	1.26 (1.575)	165.35
	11.0	132S	3.15	5.2	7.1	12.4	7.1	5.5	10.1	8.5	0.59	0.47			207.23
	15.0	160M	3.15	6.3	7.1	12.4	10.1	8.3	11.8	10	0.71	0.59			235.89
40-160	7.5	132S	3.15	5.2	6.3	10.4	7.1	5.5	10.1	8.5	0.59	0.47	1.969 (2.559)	1.26 (1.575)	154.32
	11.0	132S	3.15	5.2	6.3	10.4	7.1	5.5	10.1	8.5	0.59	0.47			196.21
40-200	7.5	132S	3.94	5.2	7.1	12.4	7.1	5.5	10.1	8.5	0.59	0.47	1.575 (1.969)	1.575 (1.969)	167.55
	11.0	132S	3.94	5.2	7.1	12.4	7.1	5.5	10.1	8.5	0.59	0.47			209.44
	15.0	160M	3.94	6.3	7.1	12.4	10.1	8.3	11.8	10	0.71	0.59			238.1
	18.5	160L	3.94	6.3	7.1	12.4	11.8	10	11.8	10	0.71	0.59			275.58
50-125	7.5	132S	3.94	5.2	6.3	10.4	7.1	5.5	10.1	8.5	0.59	0.47	2.559 (3.15)	1.969 (2.559)	163.14
50-160	7.5	132S	3.94	5.2	7.1	11.3	7.1	5.5	10.1	8.5	0.59	0.47			158.73
	11.0	132S	3.94	5.2	7.1	11.3	7.1	5.5	10.1	8.5	0.59	0.47			200.62
50-200	15.0	160M	3.94	6.3	7.1	11.3	10.1	8.3	11.8	10	0.71	0.59	229.28		
	18.5	160L	3.94	6.3	7.1	11.3	11.8	10	11.8	10	0.71	0.59	266.76		
	22.0	160L	3.94	6.3	7.1	11.3	11.8	10	11.8	10	0.71	0.59	328.49		
65-125	11.0	132S	3.94	5.2	7.9	12.4	7.1	5.5	10.1	8.5	0.59	0.47	3.15 (3.937)	2.559 (3.15)	216.05
	15.0	160M	3.94	6.3	7.9	12.4	10.1	8.3	11.8	10	0.71	0.59			244.71
	18.5	160L	3.94	6.3	7.9	12.4	11.8	10	11.8	10	0.71	0.59			282.19
	22.0	160L	3.94	6.3	7.9	12.4	11.8	10	11.8	10	0.71	0.59			328.49
	22.0	160L	3.94	6.3	7.9	12.4	11.8	10	11.8	10	0.71	0.59			328.49
65-160	7.5	132S	3.94	5.2	7.1	11.3	7.1	5.5	10.1	8.5	0.59	0.47	3.15 (3.937)	2.559 (3.15)	169.76
	11.0	132S	3.94	5.2	7.9	12.1	7.1	5.5	10.1	8.5	0.59	0.47			169.76
	15.0	160M	3.94	6.3	7.9	12.1	7.1	5.5	10.1	8.5	0.59	0.47			211.64
	18.5	160L	3.94	6.3	7.9	12.1	10.1	8.3	11.8	10	0.71	0.59			240.3
	22.0	160L	3.94	6.3	7.9	12.1	11.8	10	11.8	10	0.71	0.59			277.78
65-200	11.0	132S	3.94	6.3	7.9	12.1	11.8	10	11.8	10	0.71	0.59	3.15 (3.937)	2.559 (3.15)	324.08
	15.0	160M	3.94	6.3	8.9	13.7	7.1	5.5	10.1	8.5	0.59	0.47			227.08
	18.8	160L	3.94	6.3	8.9	13.7	10.1	8.3	11.8	10	0.71	0.59			255.74
	22.0	160L	3.94	6.3	8.9	13.7	11.8	10	11.8	10	0.71	0.59			293.21
			3.94	6.3	8.9	13.7	11.8	10	11.8	10	0.71	0.59			339.51



Inches

MAXANA

MAXANA Bloc on motor foot

Shanley Pump & Equipment, Inc.

