

SIPLA Pump Model	DN <sub>s</sub> / DN <sub>d</sub>		Dimensions of pump			Motor			On cast iron foot										
	a	l	e	l <sub>s</sub>	l <sub>6</sub>	IEC Dim.	P <sub>2</sub> [kW]	k <sub>3</sub>	size	w <sub>1</sub>	m <sub>2</sub>	n <sub>1</sub>	n <sub>2</sub>	s <sub>1</sub>	s <sub>2</sub>	h <sub>1</sub>	h <sub>2</sub>	l <sub>7</sub>	
3.1	1.26	5.71	22.17	3.94	1.57	4.25	80M	0.55	9.21	I	4.13	9.8	9.84	8.46	0.95	0.55	7.87	5.91	8.7
6.1/12.1	1.26	5.71	23.54	3.94	1.57	4.25	80M	0.75	10.6	I	4.13	9.8	9.84	8.46	0.95	0.55	7.87	5.91	8.7
6.1/12.1	1.58	6.34	25.2	4.72	2.2	5.4	90L	1.5	11.1	I	4.13	9.8	9.84	8.46	0.95	0.55	7.87	5.91	8.7
18.1	1.58	6.34	27.2	4.72	2.2	5.4	100L	2.2	12.3	I	4.13	9.8	9.84	8.46	0.95	0.55	7.87	5.91	9.49
18.1	1.97	6.85	28.9	6.7	2.05	6.22	100L	3.0	12.3	II	4.8	9.8	9.84	8.46	0.95	0.55	8.86	6.7	10.35
18.1	1.97	6.85	29.7	6.7	2.05	6.22	112M	4.0	13.15	II	4.8	9.8	9.84	8.46	0.95	0.55	8.86	6.7	10.35
28.1	2.56	7.01	30	6.7	2.2	6.5	112M	4.0	13.15	II	4.8	9.8	9.84	8.46	0.95	0.55	8.86	6.7	10.35
28.1	2.56	7.01	32.36	6.7	2.2	6.5	132S	5.5	14.7	II	4.8	9.8	9.84	8.46	0.95	0.55	8.86	6.7	11.14
52.1	2.56	7.01	32.9	6.7	2.2	7.05	132M	7.5	14.7	II	4.8	9.8	9.84	8.46	0.95	0.55	8.86	7.87	11.14
52.1	2.56	7.01	38.23	6.7	2.2	7.05	160M	11.0	18.8	II	4.8	9.8	9.84	8.46	0.95	0.55	8.86	7.87	12.36
65.1	3.15	8.03	46.06	9.45	2.68	8.7	160M	11.0	18.8	III	5.35	9.8	10.63	9.8	0.689	0.689	8.86	7.87	18.54
65.1	3.15	8.03	46.06	9.45	2.68	8.7	160L	15.0	18.8	III	5.35	9.8	10.63	9.8	0.689	0.689	8.86	7.87	18.54
90.1	3.15	8.03	51.18	9.45	2.68	8.94	180M	18.5	23.7	III	5.35	9.8	10.63	9.8	0.689	0.689	8.86	7.87	18.54
90.1	3.15	8.03	51.18	9.45	2.68	8.94	180L	22.0	23.7	III	5.35	9.8	10.63	9.8	0.689	0.689	8.86	7.87	18.54

Inches

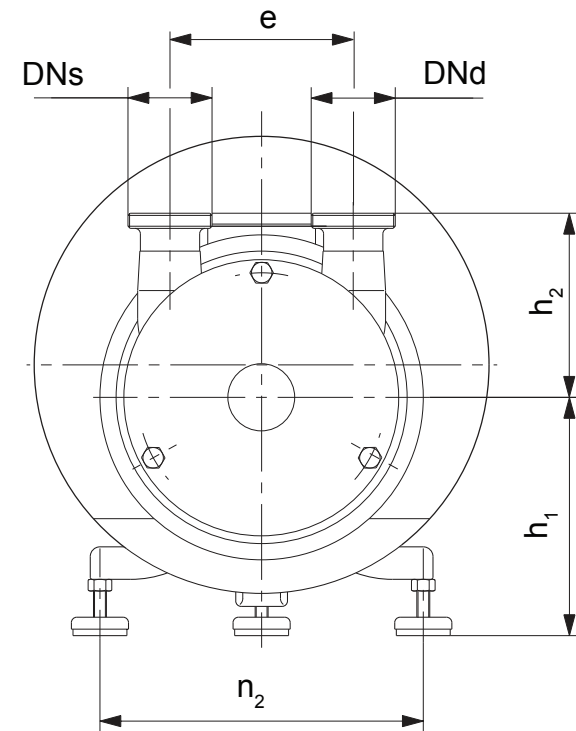
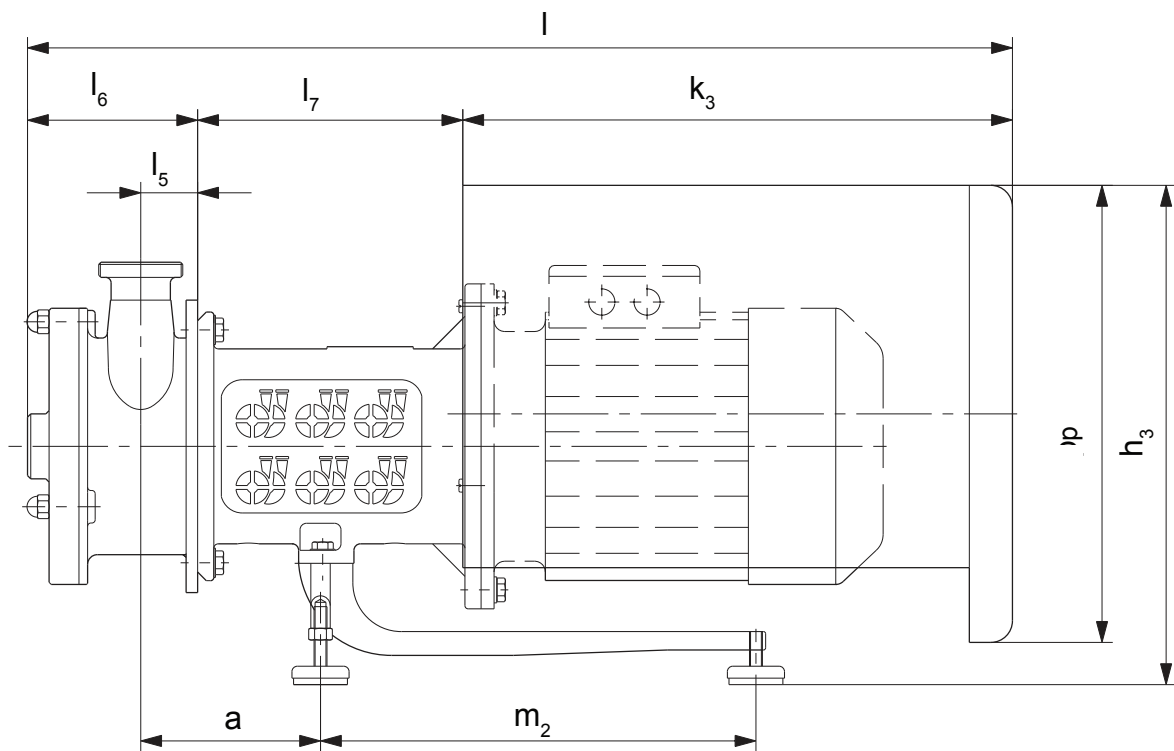
SIPLA

SIPLA Adapta® SUPER on cast iron foot

Motor: 60Hz  
Attention: actual motor dimensions possible may differ from the drawing.  
Subject to change! ANSI Companion flanges available upon request

Shanley Pump  
& Equipment, Inc.





SIPIA Pump Model	Dimensions of pump						Motor		AD		On Combi-foot		Shroud						
	DN <sub>s</sub> / DN <sub>d</sub>	a	l	h <sub>1</sub>	h <sub>2</sub>	h <sub>3</sub>	e	l <sub>s</sub>	l <sub>6</sub>	IEC size	P <sub>2</sub> [kW]	size	l <sub>7</sub>	size	m <sub>2</sub>	n <sub>2</sub>	size	p	k <sub>3</sub>
3.1	1.26	5.43	26.85	7.87	5.91	14.96	3.94	1.58	4.25	80M	.55	I	8.03	I	11.81	10.24	1.1	12.6	14.57
6.1/12.1	1.58	5.43	26.85	7.87	5.91	14.96	3.94	1.58	4.25	80M	.75	I	8.03	I	11.81	10.24	1.1	12.6	14.57
6.1/12.1	1.58	6.06	27.99	7.87	5.91	14.96	4.72	2.2	5.39	90L	1.5	I	8.03	I	11.81	10.24	1.1	12.6	14.57
18.1	1.97	6.06	33.5	7.87	5.91	16.14	4.72	2.2	5.39	100L	2.2	I	8.03	I	15.91	11.81	1.2	14.57	18.11
18.1	1.97	6.58	35.98	8.66	6.7	18.11	6.7	2.05	6.22	100L	3.0	I	9.69	II	15.91	11.81	2.2	16.53	20.08
18.1	1.97	6.58	35.98	8.66	6.7	18.11	6.7	2.05	6.22	112M	4.0	II	9.69	II	15.91	11.81	2.2	16.53	20.08
28.1	2.56	6.73	36.26	8.66	6.7	18.11	6.7	2.2	6.49	112M	4.0	II	9.69	II	15.91	11.81	2.2	16.53	20.08
28.1	2.56	6.73	36.26	8.66	6.7	18.11	6.7	2.2	6.49	132S	5.5	II	9.69	II	15.91	11.81	2.2	16.53	20.08
52.1	2.56	6.73	36.81	8.66	6.7	18.11	6.7	2.2	7.04	132M	7.5	II	9.69	II	15.91	11.81	2.2	16.53	20.08
52.1	2.56	6.73	42.32	8.66	6.7	19.76	6.7	2.2	7.04	160M	11.0	II	9.64	II	15.91	11.81	2.3	19.09	25.59

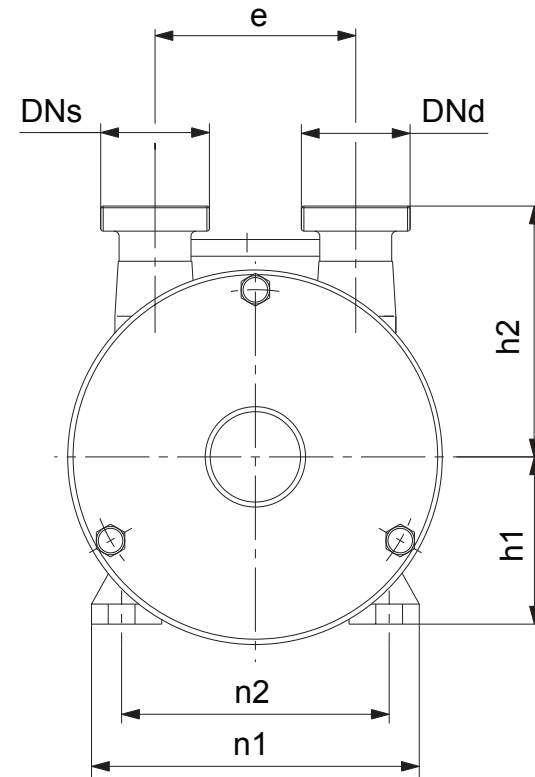
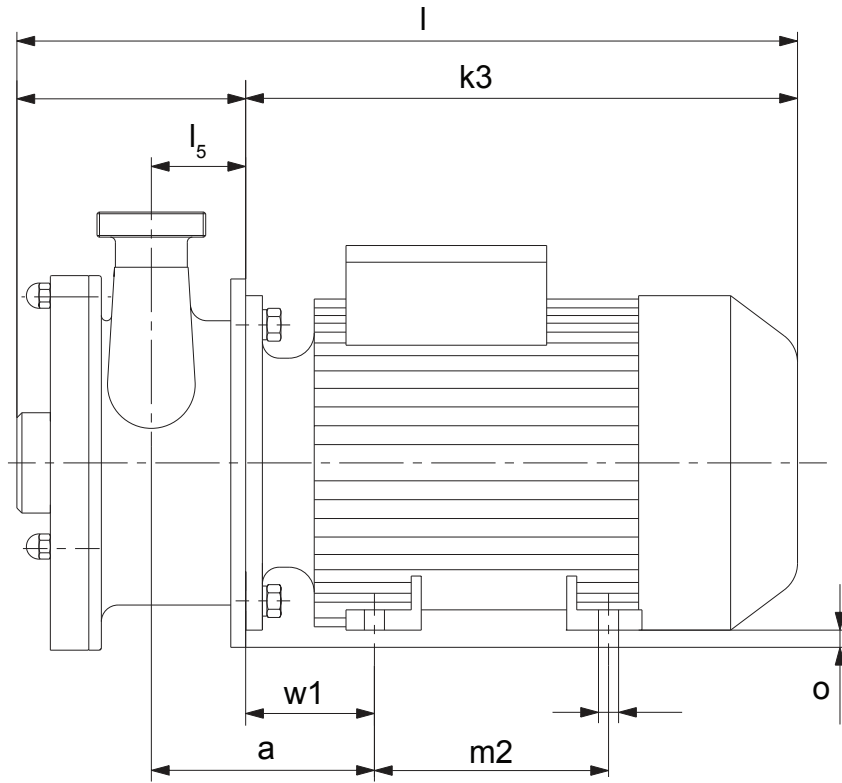
Inches

SIPLA

SIPLA Adapta® SUPER on combi-foot

Shanley Pump  
& Equipment, Inc.





SIPLA Pump Model	Dimensions of pump					Motor											
	DN <sub>s</sub> / DN <sub>d</sub>	a	l	o	h <sub>2</sub>	e	l <sub>5</sub>	l <sub>6</sub>	IEC Dim.	P <sub>2</sub> [kW]	h <sub>1</sub>	k <sub>3</sub>	m <sub>2</sub>	n <sub>1</sub>	n <sub>2</sub>	s <sub>1</sub>	w <sub>1</sub>
3.1	1.26	3.54	13.46	1.18	5.91	3.94	1.58	4.25	80M	0.55	3.15	9.21	3.94	5.91	4.92	0.374	1.97
3.1	1.26	3.54	14.84	1.18	5.91	3.94	1.58	4.25	80M	0.75	3.15	10.6	3.94	5.91	4.92	0.374	1.97
6.1/12.1	1.58	5.28	18.28	0.39	5.91	4.72	2.2	5.4	100L	1.5	3.94	12.87	5.5	7.72	6.3	0.472	3.07
6.1/12.1	1.58	5.28	17.72	0.39	5.91	4.72	2.2	5.4	100L	2.2	3.94	12.87	5.5	7.72	6.3	0.472	3.07
18.1	1.97	5.13	19.1	1.38	6.69	6.69	2.05	6.2	100L	3.0	3.94	12.87	5.5	7.72	6.3	0.472	3.07
18.1	1.97	5.6	20.12	1.38	6.69	6.69	2.05	6.2	112M	4.0	4.41	13.9	5.5	8.9	7.48	0.472	3.54
28.1	2.56	5.75	20.39	0.91	6.69	6.69	2.2	6.5	112M	4.0	4.41	13.9	5.5	8.9	7.48	0.472	3.54
52.1	2.56	5.71	21.77	1.1	7.87	6.69	2.2	7.05	132M	7.5	5.2	14.7	7.01	8.9	8.5	0.472	3.504
65.1	3.15	6.93	27.52	0.97	7.87	9.45	2.68	8.7	160L	11.0	6.3	18.82	10	11.8	10	0.591	4.25
65.1	3.15	6.93	27.52	0.97	7.87	9.45	2.68	8.7	160L	15.0	6.3	18.82	10	11.8	10	0.591	4.25
90.1	3.15	7.44	32.64	0.97	7.87	9.45	2.68	8.94	180M	18.5	7.09	23.7	9.5	13.35	10.98	0.591	4.76
90.1	3.15	7.44	32.64	0.97	7.87	9.45	2.68	8.94	180L	22.0	7.09	23.7	10.98	13.35	10.98	0.591	4.76

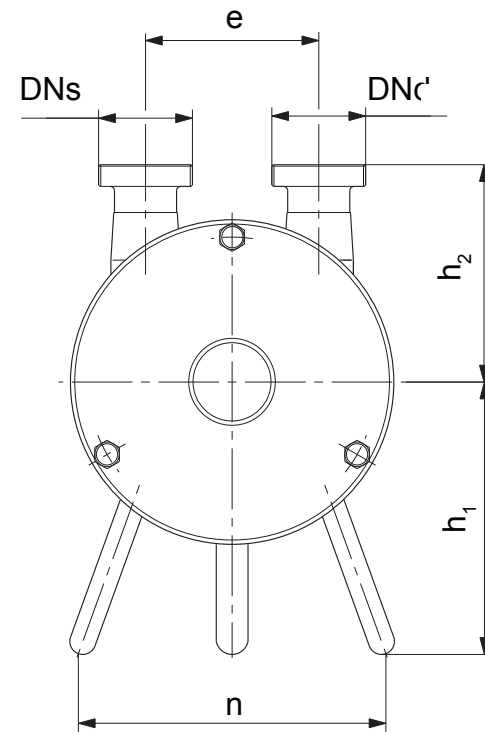
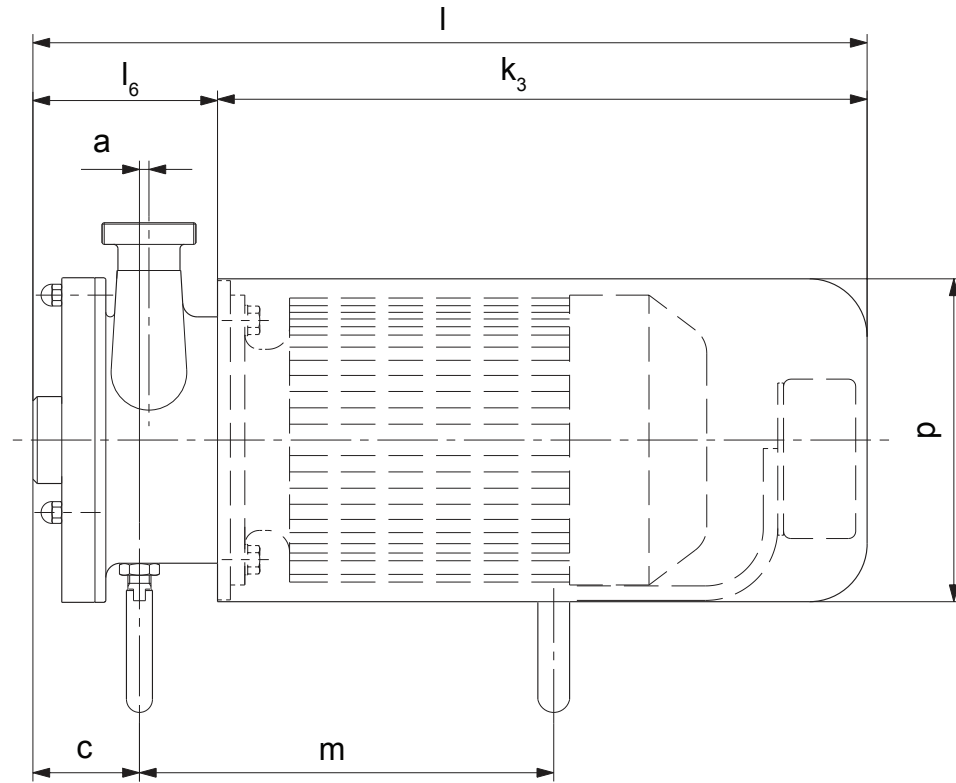
Inches

SIPLA

SIPLA Bloc

Shanley Pump  
& Equipment, Inc.





SIPIA Pump Model	Dimensions of pump						Motor		Shroud					
	DN <sub>s</sub> / DN <sub>d</sub>	h <sub>1</sub>	h <sub>2</sub>	l	n	m	e	l <sub>6</sub>	a	c	IEC size	P <sub>2</sub> [kW]	p	k <sub>3</sub>
3.1	1.26	6.1	5.91	20	7.87	8.66	3.94	3.86	0	2.64	80M	0.55	8.82	16.14
6.1/12.1	1.26	6.1	5.91	20	7.87	8.66	3.94	3.86	0	2.64	80M	0.75	8.82	16.14
6.1/12.1	1.58	7.87	5.91	23.94	8.66	10.04	4.72	5.04	0.276	2.91	100L	1.5	10.79	18.9
18.1	1.58	7.87	5.91	23.94	8.66	10.04	4.72	5.04	0.276	2.91	100L	2.2	10.79	18.9
18.1	1.97	7.87	6.7	24.7	8.86	11.02	6.7	5.83	0.91	3.28	100L	3.0	10.79	18.9
18.1	1.97	7.87	6.7	24.7	8.86	11.02	6.7	5.83	0.867	3.28	112M	4.0	10.79	18.9
28.1	2.56	7.87	6.7	24.96	8.86	11.81	6.7	6.06	0.91	3.43	112M	4.0	10.79	18.9
52.1	2.56	7.87	7.87	30.24	8.86	15.75	6.7	6.6	3.94	3.94	132M	7.5	12.76	23.62
65.1	3.15	7.87	7.87	33.78	8.86	15.75	9.45	8.2	5.08	5.08	160L	11.0	14.72	25.59
65.1	3.15	7.87	7.87	33.78	8.86	15.75	9.45	8.2	5.08	5.08	160L	15.0	14.72	25.59
90.1	3.15	7.87	7.87	34.02	8.86	15.75	9.45	8.43	5.43	5.43	180M	18.5	14.72	25.59
90.1	3.15	7.87	7.87	34.02	8.86	15.75	9.45	8.43	5.43	5.43	180L	22.0	14.72	25.59

Inches

**SIPLA**

SIPLA Bloc-SUPER on stainless steel ball feet

**Shanley Pump  
& Equipment, Inc.**

