

DN _A	D	K	P	N ^o
0.9843	4.5276	3.3465	0.5512	4
1.2598	5.5118	3.937	0.7087	4
1.5748	5.9055	4.3307	0.7087	4
1.9685	6.4961	4.9213	0.7087	4
2.5591	7.2835	5.7087	0.7087	4
3.1496	7.874	6.2992	0.7087	8
3.937	8.6614	7.0866	0.7087	8
4.9213	9.8425	8.2677	0.7087	8

CENTURION Pump Model	Dimensions of pump																				Net weight ≈ lbs.
	DN _A	DN _M	A	F	H1	H2	B	C	M1	M2	N1	N2	S1	W	D1	L	T	U	E1	E	
25-125	1.575	0.984	3.15	15.158	4.409	5.512	1.97	0.591	3.94	2.76	7.48	5.51	0.5512	11.22	0.945	1.97	1.063	0.315	3.74	3.54	50.71
25-160	1.575	0.984	3.15	15.158	5.197	6.299	1.97	0.63	3.94	2.76	9.45	7.48	0.5512	11.22	0.945	1.97	1.063	0.315	4.331	4.252	66.14
25-200	1.575	0.984	3.15	15.158	6.299	7.087	1.97	0.63	3.94	2.76	9.45	7.48	0.5512	11.22	0.945	1.97	1.063	0.315	5.236	5.039	74.96
32-125	1.969	1.26	3.15	15.158	4.409	5.512	1.97	0.591	3.94	2.76	7.48	5.51	0.5512	11.22	0.945	1.97	1.063	0.315	4.134	3.583	55.12
32-160	1.969	1.26	3.15	15.158	5.197	6.299	1.97	0.63	3.94	2.76	9.45	7.48	0.5512	11.22	0.945	1.97	1.063	0.315	4.92	4.331	57.32
32-200	1.969	1.26	3.15	15.158	6.299	7.087	1.97	0.63	3.94	2.76	9.45	7.48	0.5512	11.22	0.945	1.97	1.063	0.315	5.512	5.118	81.57
40-125	2.599	1.575	3.15	15.158	4.409	5.512	1.97	0.591	3.94	2.76	8.27	6.29	0.5512	11.22	0.945	1.97	1.063	0.315	4.528	3.937	59.52
40-160	2.599	1.575	3.15	15.158	5.197	6.299	1.97	0.63	3.94	2.76	10.24	7.48	0.5512	11.22	0.945	1.97	1.063	0.315	5.118	4.528	70.55
40-200	2.599	1.575	3.937	15.158	6.299	7.087	1.97	0.63	3.94	2.76	12.59	8.35	0.5512	11.22	0.945	1.97	1.063	0.315	5.748	5.315	79.37
40-250	2.599	1.575	3.937	19.685	7.087	8.858	2.56	0.71	4.92	3.74	8.27	9.84	0.5512	14.57	1.26	3.15	1.378	0.394	6.929	6.417	136.69
50-125	3.15	1.969	3.937	15.158	5.197	6.299	1.97	0.63	3.94	2.76	10.43	7.48	0.5512	11.22	0.945	1.97	1.063	0.315	5.118	4.331	63.93
50-160	3.15	1.969	3.937	15.158	6.299	7.087	1.97	0.63	3.94	2.76	9.45	8.35	0.5512	11.22	0.945	1.97	1.063	0.315	5.787	4.921	77.16
50-200	3.15	1.969	3.937	15.158	6.299	7.874	1.97	0.63	3.94	2.76	13.59	8.35	0.5512	11.22	0.945	1.97	1.063	0.315	6.339	5.748	85.98
50-250	3.15	1.969	4.921	19.685	7.087	8.858	2.56	0.71	4.92	3.74	11.02	9.84	0.5512	14.57	1.26	3.15	1.378	0.394	7.205	6.654	145.51
60-125	3.937	2.559	3.937	15.158	6.299	7.086	2.56	0.63	4.92	3.74	11.02	8.35	0.5512	11.22	0.945	1.97	1.063	0.315	5.709	4.606	119.05
60-160	3.937	2.559	3.937	15.551	6.299	7.874	2.56	0.63	4.92	3.74	12.59	8.35	0.5512	11.61	0.945	1.89	1.063	0.315	6.299	5.118	125.66
60-200	3.937	2.559	3.937	19.685	7.087	8.858	2.56	0.71	4.92	3.74	13.59	9.84	0.5512	14.57	1.26	3.15	1.378	0.394	6.85	5.984	136.69
60-250	3.937	2.559	4.921	19.685	7.874	9.843	3.15	0.79	6.29	4.72	14.17	11.02	0.7087	14.57	1.26	3.15	1.378	0.394	7.677	6.889	165.35
80-160	4.921	3.15	4.921	15.551	7.087	8.858	2.56	0.63	4.92	3.74	12.59	9.84	0.5512	11.61	0.945	1.89	1.063	0.315	7.323	5.591	136.69
80-200	4.921	3.15	4.921	19.685	7.087	9.843	2.56	0.71	4.92	3.74	13.59	11.02	0.5512	14.57	1.26	3.15	1.378	0.394	7.402	6.221	138.89
80-250	4.921	3.15	4.921	19.685	8.858	11.024	3.15	0.79	6.29	4.72	15.75	12.4	0.7087	14.57	1.26	3.15	1.378	0.394	8.858	7.284	180.78
100-200	4.921	3.15	4.921	19.685	7.874	11.024	3.15	0.79	6.29	4.72	14.17	11.02	0.7087	14.57	1.26	3.15	1.378	0.394	8.307	6.693	171.96

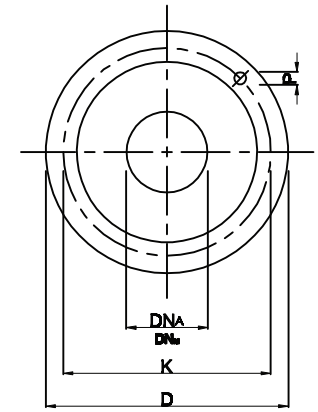
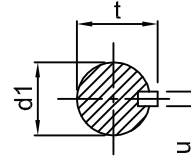
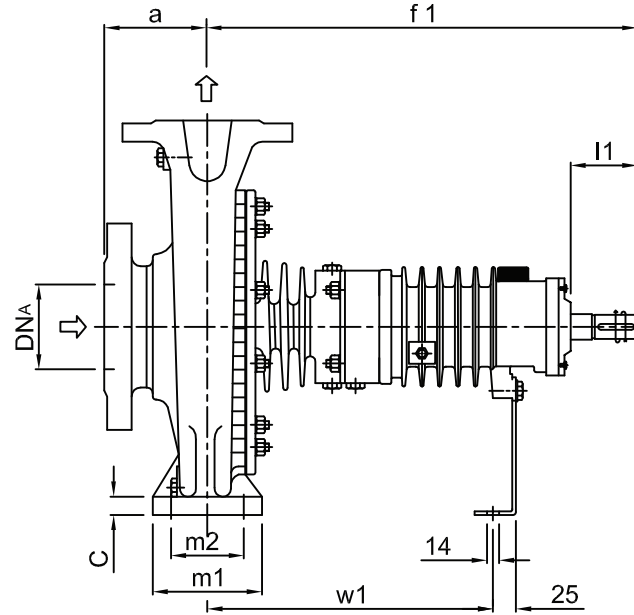
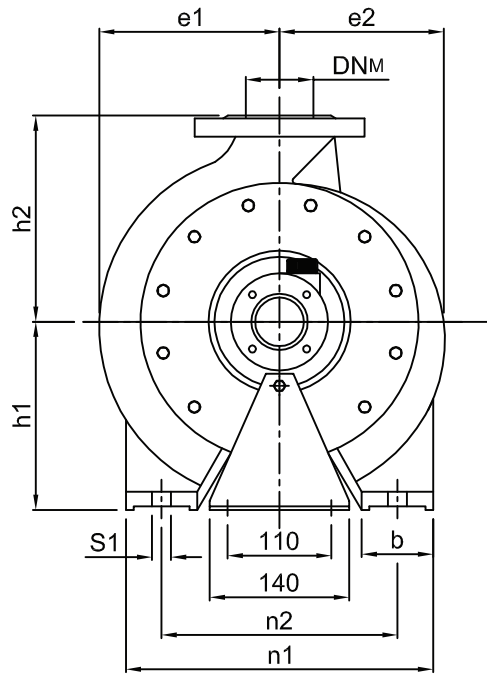
Inches

CENTURION

Thermal Transfer Pumps

Shanley Pump
& Equipment, Inc.





DN _A	D	K	P	N ^o
0.9843	4.5276	3.3465	0.5512	4
1.2598	5.5118	3.937	0.7087	4
1.5748	5.9055	4.3307	0.7087	4
1.9685	6.4961	4.9213	0.7087	4
2.5591	7.2835	5.7087	0.7087	4
3.1496	7.874	6.2992	0.7087	8
3.937	8.6614	7.0866	0.7087	8
4.9213	9.8425	8.2677	0.7087	8

CENTURION Pump Model	Dimensions of pump																				Net weight ≈ lbs.
	DN _A	DN _M	A	F1	H1	H2	B	C	M1	M2	N1	N2	S1	W1	D1	L1	T	U	E1	E2	
25-125	1.575	0.984	3.15	15.984	4.409	5.512	1.97	0.591	3.94	2.76	7.48	5.51	0.5512	11.22	0.945	1.89	1.063	0.315	3.74	3.54	66.14
25-160	1.575	0.984	3.15	15.984	5.197	6.299	1.97	0.63	3.94	2.76	9.45	7.48	0.5512	11.22	0.945	1.89	1.063	0.315	4.331	4.252	81.57
25-200	1.575	0.984	3.15	15.984	6.299	7.087	1.97	0.63	3.94	2.76	9.45	7.48	0.5512	11.22	0.945	1.89	1.063	0.315	5.236	5.039	90.39
32-125	1.969	1.26	3.15	15.984	4.409	5.512	1.97	0.591	3.94	2.76	7.48	5.51	0.5512	11.22	0.945	1.89	1.063	0.315	4.134	3.583	70.55
32-160	1.969	1.26	3.15	15.984	5.197	6.299	1.97	0.63	3.94	2.76	9.45	7.48	0.5512	11.22	0.945	1.89	1.063	0.315	4.92	4.331	77.16
32-200	1.969	1.26	3.15	15.984	6.299	7.087	1.97	0.63	3.94	2.76	9.45	7.48	0.5512	11.22	0.945	1.89	1.063	0.315	5.512	5.118	97.0
40-125	2.599	1.575	3.15	15.984	4.409	5.512	1.97	0.591	3.94	2.76	8.27	6.29	0.5512	11.22	0.945	1.89	1.063	0.315	4.528	3.937	74.96
40-160	2.599	1.575	3.15	15.984	5.197	6.299	1.97	0.63	3.94	2.76	10.24	7.48	0.5512	11.22	0.945	1.89	1.063	0.315	5.118	4.528	85.98
40-200	2.599	1.575	3.937	15.984	6.299	7.087	1.97	0.63	3.94	2.76	12.59	8.35	0.5512	11.22	0.945	1.89	1.063	0.315	5.748	5.315	94.8
40-250	2.599	1.575	3.937	21.102	7.087	8.858	2.56	0.71	4.92	3.74	8.27	9.84	0.5512	14.65	1.26	3.07	1.378	0.394	6.929	6.417	154.32
50-125	3.15	1.969	3.937	15.984	5.197	6.299	1.97	0.63	3.94	2.76	10.43	7.48	0.5512	11.22	0.945	1.89	1.063	0.315	5.118	4.331	79.37
50-160	3.15	1.969	3.937	15.984	6.299	7.087	1.97	0.63	3.94	2.76	9.45	8.35	0.5512	11.22	0.945	1.89	1.063	0.315	5.787	4.921	92.59
50-200	3.15	1.969	3.937	15.984	6.299	7.874	1.97	0.63	3.94	2.76	13.59	8.35	0.5512	11.22	0.945	1.89	1.063	0.315	6.339	5.748	101.41
50-250	3.15	1.969	4.921	21.102	7.087	8.858	2.56	0.71	4.92	3.74	11.02	9.84	0.5512	14.65	1.26	3.07	1.378	0.394	7.205	6.654	163.14
60-125	3.937	2.559	3.937	15.984	6.299	7.086	2.56	0.63	4.92	3.74	11.02	8.35	0.5512	11.22	0.945	1.89	1.063	0.315	5.709	4.606	134.48
60-160	3.937	2.559	3.937	16.457	6.299	7.874	2.56	0.63	4.92	3.74	12.59	8.35	0.5512	11.65	0.945	1.89	1.063	0.315	6.299	5.118	141.1
60-200	3.937	2.559	3.937	21.102	7.087	8.858	2.56	0.71	4.92	3.74	13.59	9.84	0.5512	14.65	1.26	3.07	1.378	0.394	6.85	5.984	154.32
60-250	3.937	2.559	4.921	21.102	7.874	9.843	3.15	0.79	6.29	4.72	14.17	11.02	0.7087	14.65	1.26	3.07	1.378	0.394	7.677	6.889	182.98
80-160	4.921	3.15	4.921	16.457	7.087	8.858	2.56	0.63	4.92	3.74	12.59	9.84	0.5512	11.65	0.945	1.89	1.063	0.315	7.323	5.591	152.12
80-200	4.921	3.15	4.921	21.102	7.087	9.843	2.56	0.71	4.92	3.74	13.59	11.02	0.5512	14.65	1.26	3.07	1.378	0.394	7.402	6.221	156.53
80-250	4.921	3.15	4.921	21.102	8.858	11.024	3.15	0.79	6.29	4.72	15.75	12.4	0.7087	14.65	1.26	3.07	1.378	0.394	8.858	7.284	198.42
100-200	4.921	3.937	4.921	21.102	7.874	11.024	3.15	0.79	6.29	4.72	14.17	11.02	0.7087	14.65	1.26	3.07	1.378	0.394	8.307	6.693	189.6

Inches

CENTURION

Thermal Transfer Pumps

Shanley Pump
& Equipment, Inc.

