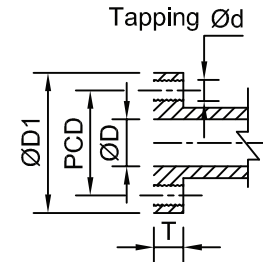


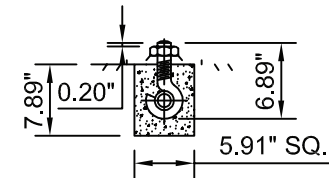
- X - Oil Drain
- Y - Sight Glass
- Z - Vent
- XX - Coupling Flexible Spacer
- U - Cooling Inlet (size: 1/4" BSP)
- V - Cooling Outlet (size: 1/2" BPS)

FLANGE DETAILS STANDARD : ASA 150 ANSI B 16.5



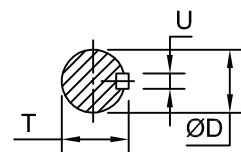
	04	04
NOS.	04	04
PCD.	3.12"	3.12"
T	0.63"	0.63"
Ød	1/2" BSW	1/2" BSW
ØD1	4.53"	4.53"
ØD	1"	1"
	SUC.	DEL.

FOUNDATION DETAILS



POCKET SIZE	5.91" X 7.87"
BOLT SIZE	5/8"BSW X 6.89"
NO.OF BOLTS	04

KEY-WAY DETAILS



	+0.00020"	-0.00039"
T	1.10"	*
U	0.24"	*
ØD	0.98"	*
	PUMP	MOTOR

CITADEL Pump Model CF20	A	B	C	*D	F	H	L	M	*U	*T	W ₁	W ₂	
	AD 80	4.92	3.94	12.68	0.75	-	9.45	35.43	39.37	10.79	0.24	0.85	13.39
90L	5.51	4.92	12.68	0.94	-	9.45	35.43	39.37	13.39	0.31	1.06	13.39	11.81

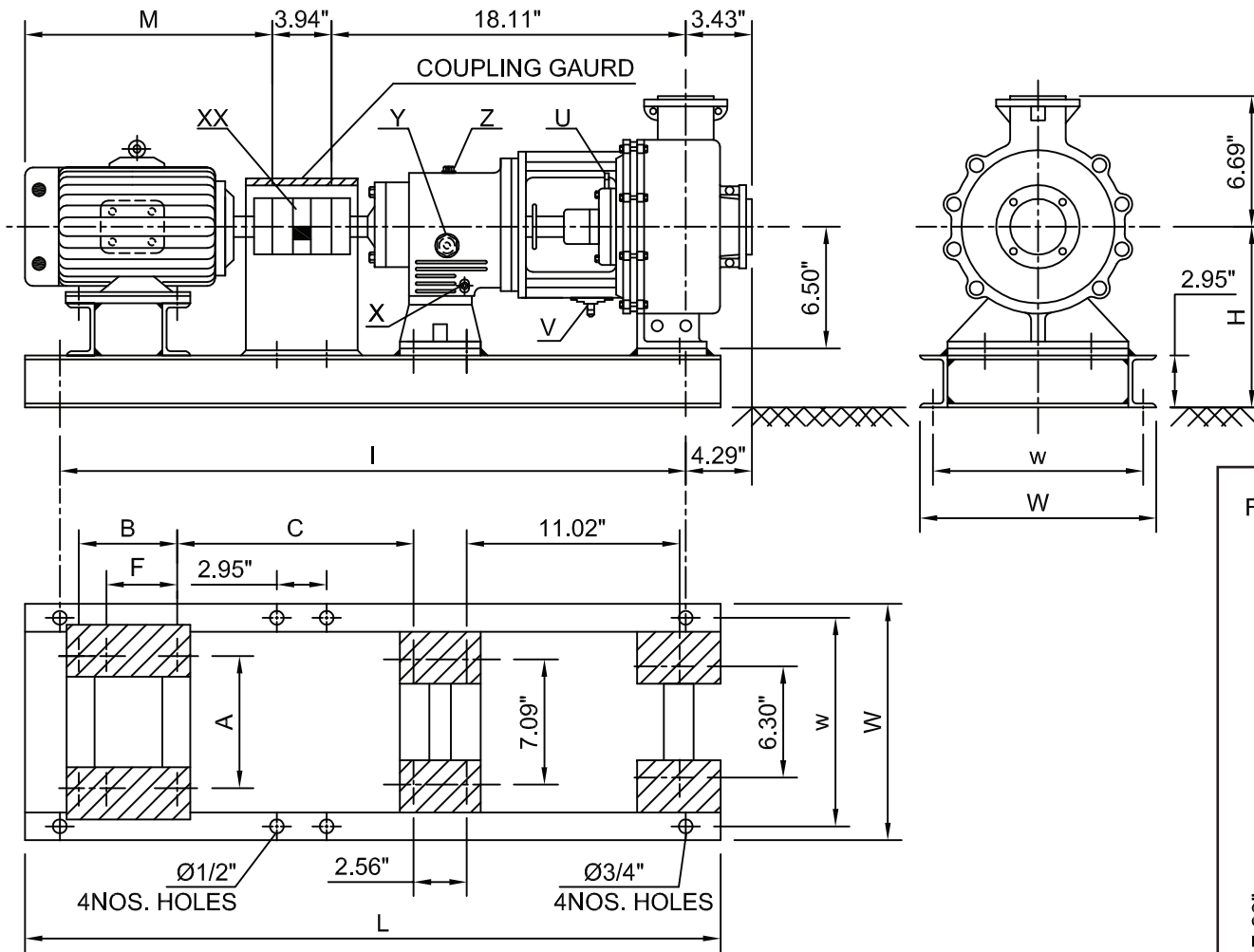
Inches

CITADEL

Chemical Process Pumps - SERIES 1

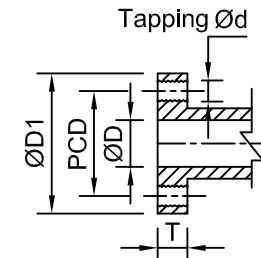
Shanley Pump
& Equipment, Inc.





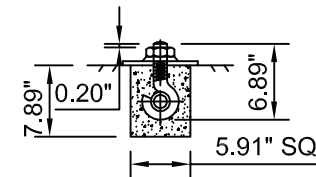
- X - Oil Drain
- Y - Sight Glass
- Z - Vent
- XX - Coupling Flexible Spacer
- U - Cooling Inlet (size: 1/4" BSP)
- V - Cooling Outlet (size: 1/2" BPS)

FLANGE DETAILS STANDARD : ASA 150 ANSI B 16.5



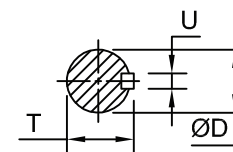
NOS.	04	04
PCD.	3.87"	3.12"
T	0.71"	0.63"
Ød	1/2" BSW	1/2" BSW
ØD1	5.91"	4.53"
ØD	1 1/2"	1"
	SUC.	DEL.

FOUNDATION DETAILS



POCKET SIZE	5.91" X 7.87"
BOLT SIZE	5/8" BSW X 6.89"
NO.OF BOLTS	04

KEY-WAY DETAILS



TOLERANCE	+0.00020"	-0.00039"
T	1.10"	*
U	0.24"	*
ØD	0.98"	*
	PUMP	MOTOR

CITADEL
Pump Model
CF25

Dimensions of pump

	A	B	C	*D	F	H	I	L	M	*U	*T	W ₁	W ₂
90L	5.51	4.92	13.31	0.94	-	9.84	35.43	39.37	13.39	0.31	1.06	13.39	11.81
100L	6.29	5.51	13.90	1.10	-	10.24	35.43	39.37	14.96	0.31	1.22	13.39	11.81

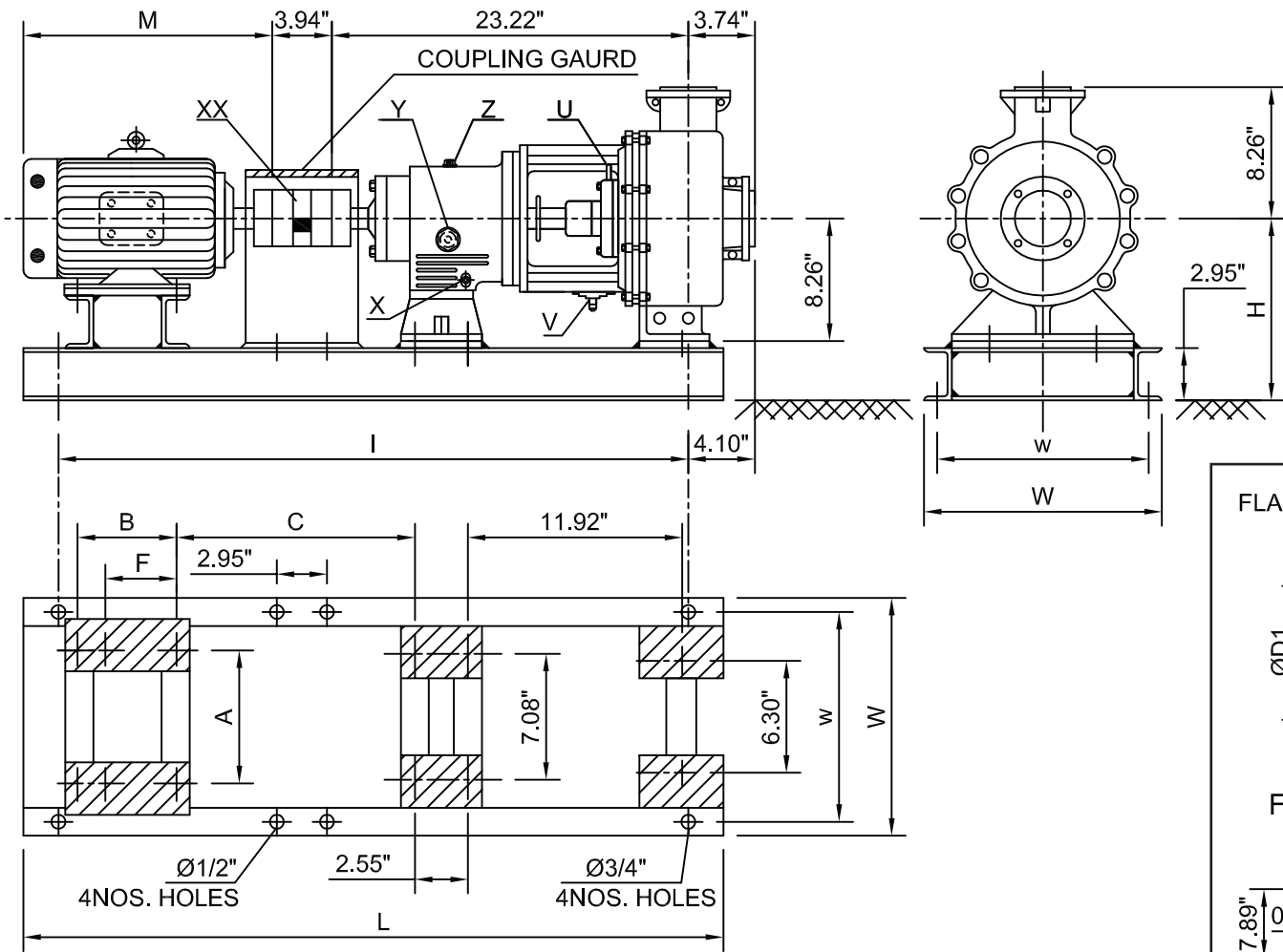
Inches

CITADEL

Chemical Process Pumps - SERIES 1

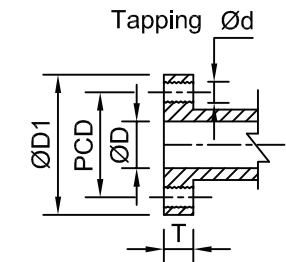
**Shanley Pump
& Equipment, Inc.**





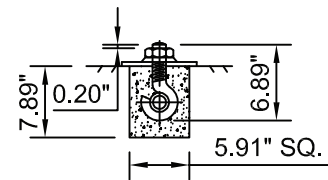
- X - Oil Drain
- Y - Sight Glass
- Z - Vent
- XX - Coupling Flexible Spacer
- U - Cooling Inlet (size: 1/4" BSP)
- V - Cooling Outlet (size: 1/2" BPS)

FLANGE DETAILS STANDARD : ASA 150 ANSI B 16.5



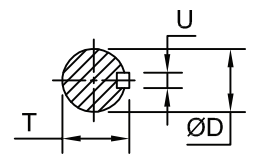
NOS.	04	04
PCD.	3.87"	3.12"
T	0.71"	0.71"
Ød	1/2" BSW	1/2" BSW
ØD1	6.10"	4.72"
ØD	1 1/2"	1"
	SUC.	DEL.

FOUNDATION DETAILS



POCKET SIZE	5.91" X 7.87"
BOLT SIZE	5/8" BSW X 6.89"
NO.OF BOLTS	04

KEY-WAY DETAILS



TOLERANCE	+0.00020"	-0.00039"
T	1.10"	*
U	0.24"	*
ØD	0.98"	*
	PUMP	MOTOR

CITADEL Pump Model CF30	Dimensions of pump												
	A	B	C	*D	F	H	I	L	M	*U	*T	W ₁	W ₂
112M	7.48	5.51	14.17	1.10	-	11.69	39.37	43.30	15.94	0.31	1.22	13.39	11.81
132 S/M	8.50	7.0	15.70	1.50	5.51	11.69	39.37	43.30	18.5/20.08	0.39	1.61	13.39	11.81

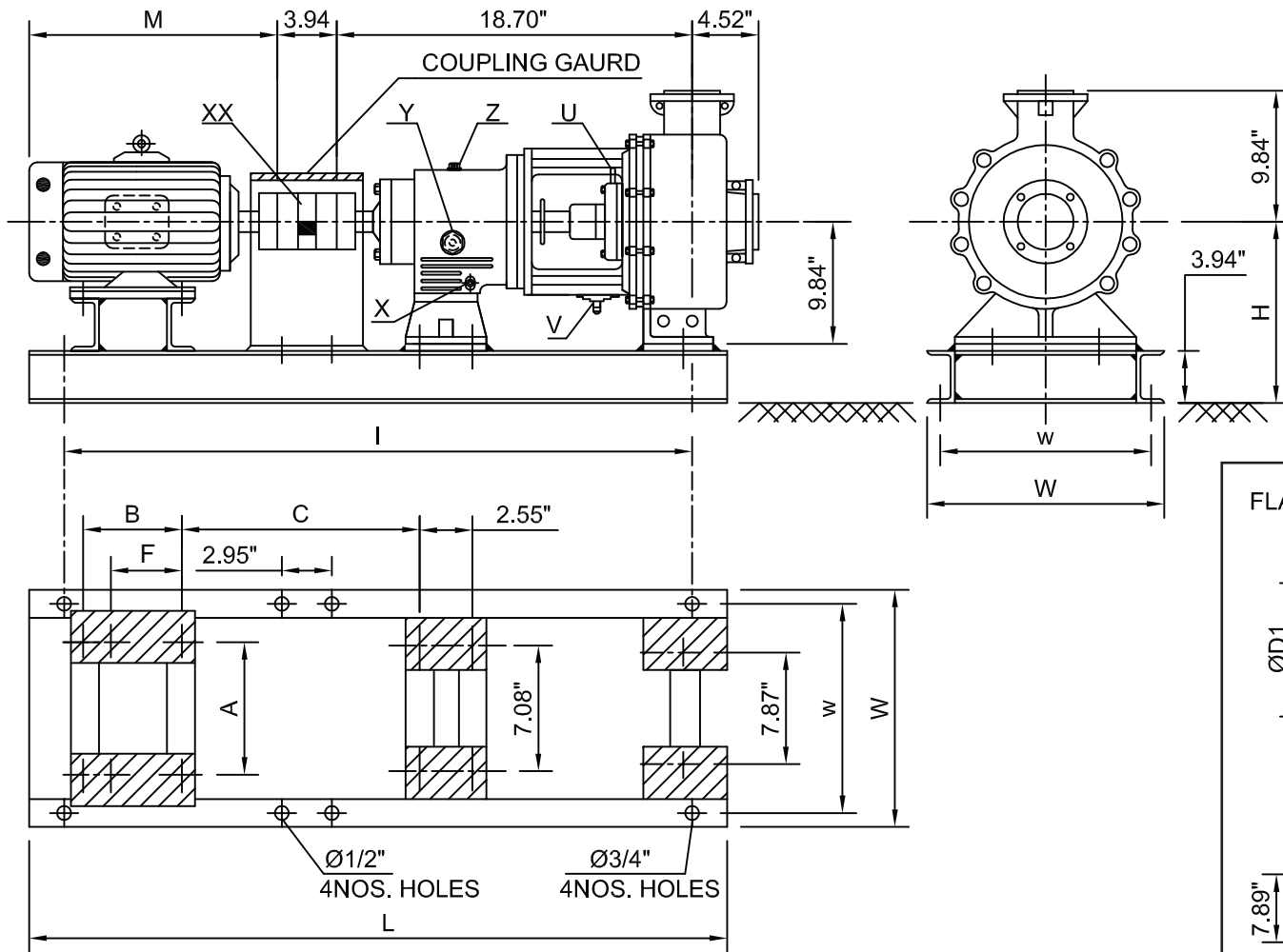
Inches

CITADEL

Chemical Process Pumps - SERIES 1

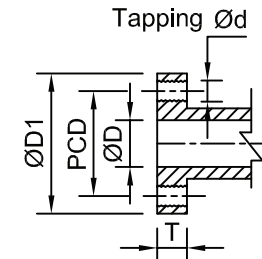
Shanley Pump & Equipment, Inc.





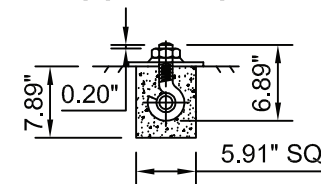
- X - Oil Drain
- Y - Sight Glass
- Z - Vent
- XX - Coupling Flexible Spacer
- U - Cooling Inlet (size: 1/4" BSP)
- V - Cooling Outlet (size: 1/2" BPS)

FLANGE DETAILS STANDARD : ASA 150 ANSI B 16.5



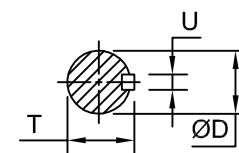
NOS.	04	04
PCD.	4.75"	3.87"
T	0.71"	0.71"
Ød	1/2" BSW	1/2" BSW
ØD1	6.69"	6.10"
ØD	2"	1 1/2"
	SUC.	DEL.

FOUNDATION DETAILS



POCKET SIZE	5.91" X 7.87"
BOLT SIZE	5/8" BSW X 6.89"
NO.OF BOLTS	04

KEY-WAY DETAILS



TOLERANCE	+0.00020"	-0.00039"
T	1.10"	*
U	0.24"	*
ØD	0.98"	*
	PUMP	MOTOR

**CITADEL
Pump Model
CF35**

Dimensions of pump

	A	B	C	*D	F	H	I	L	M	*U	*T	W ₁	W ₂
90 S/L	5.51	4.92	13.22	0.94	3.94	14.37	39.37	43.30	12.4/13.39	0.31	1.06	13.78	11.81
100	6.29	5.51	13.90	1.10	-	14.37	39.37	43.30	14.96	0.31	1.22	13.78	11.81
112M	7.48	5.51	14.17	1.10	-	14.37	39.37	43.30	15.94	0.31	1.22	13.78	11.81
132S/M	8.50	7.0	15.70	1.50	5.51	14.37	39.37	43.30	18.5/20.28	0.39	1.61	13.78	11.81

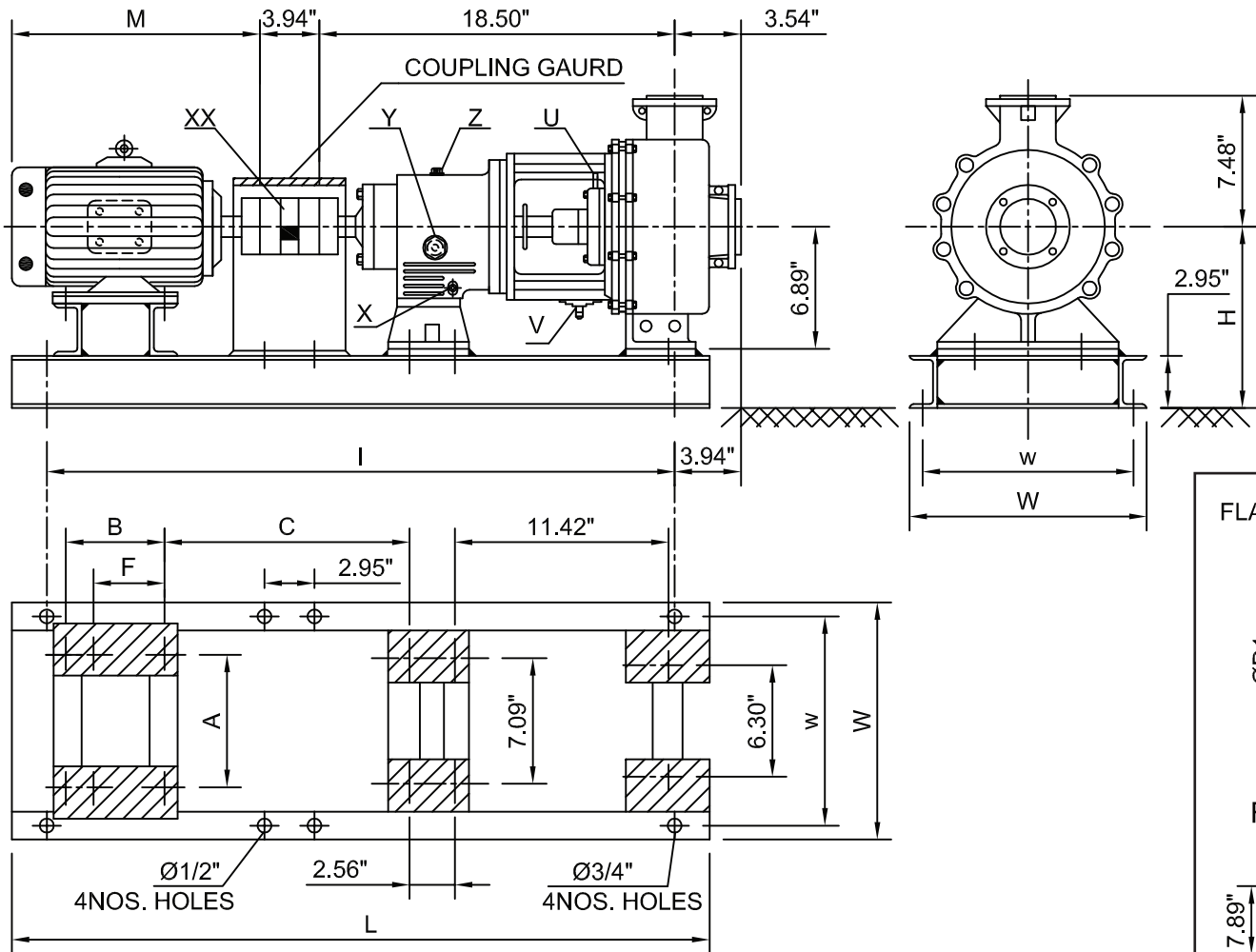
Inches

CITADEL

Chemical Process Pumps - SERIES 1

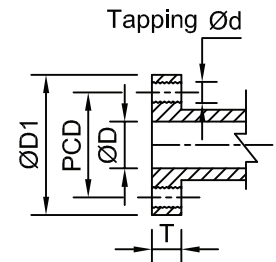
**Shanley Pump
& Equipment, Inc.**





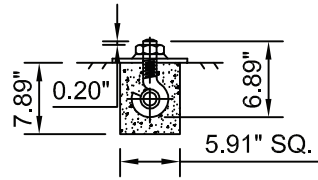
- X - Oil Drain
- Y - Sight Glass
- Z - Vent
- XX - Coupling Flexible Spacer
- U - Cooling Inlet (size: 1/4" BSP)
- V - Cooling Outlet (size: 1/2" BPS)

FLANGE DETAILS STANDARD : ASA 150 ANSI B 16.5



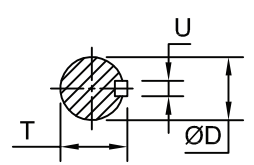
	04	04
NOS.	04	04
PCD.	4.75"	3.87"
T	0.71"	0.71"
Ød	1/2" BSW	1/2" BSW
ØD1	6.69"	6.10"
ØD	2"	1 1/2"
	SUC.	DEL.

FOUNDATION DETAILS



POCKET SIZE	5.91" x 7.87"
BOLT SIZE	5/8"
NO.OF BOLTS	04

KEY-WAY DETAILS



	PUMP	MOTOR
TOLERANCE	+0.00020"	-0.00039"
T	1.10"	*
U	0.24"	*
ØD	0.98"	*

CITADEL Pump Model CF40	Dimensions of pump												
	A	B	C	*D	F	H	I	L	M	*U	*T	W ₁	W ₂
90S/L	5.51	4.92	13.23	0.94	3.94	10.24	35.43	39.37	12.40/13.39	0.31	1.06	13.39	11.81
100L	6.30	5.51	13.90	1.10	-	10.24	35.43	39.37	14.96	0.31	1.22	13.39	11.81
112M	7.48	5.51	14.17	1.10	-	1.61	35.43	39.37	15.94	0.31	1.22	13.39	11.81
132S/M	8.50	7.01	15.71	1.50	5.51	10.24	39.37	43.31	18.50/20.08	0.39	1.61	13.39	11.81

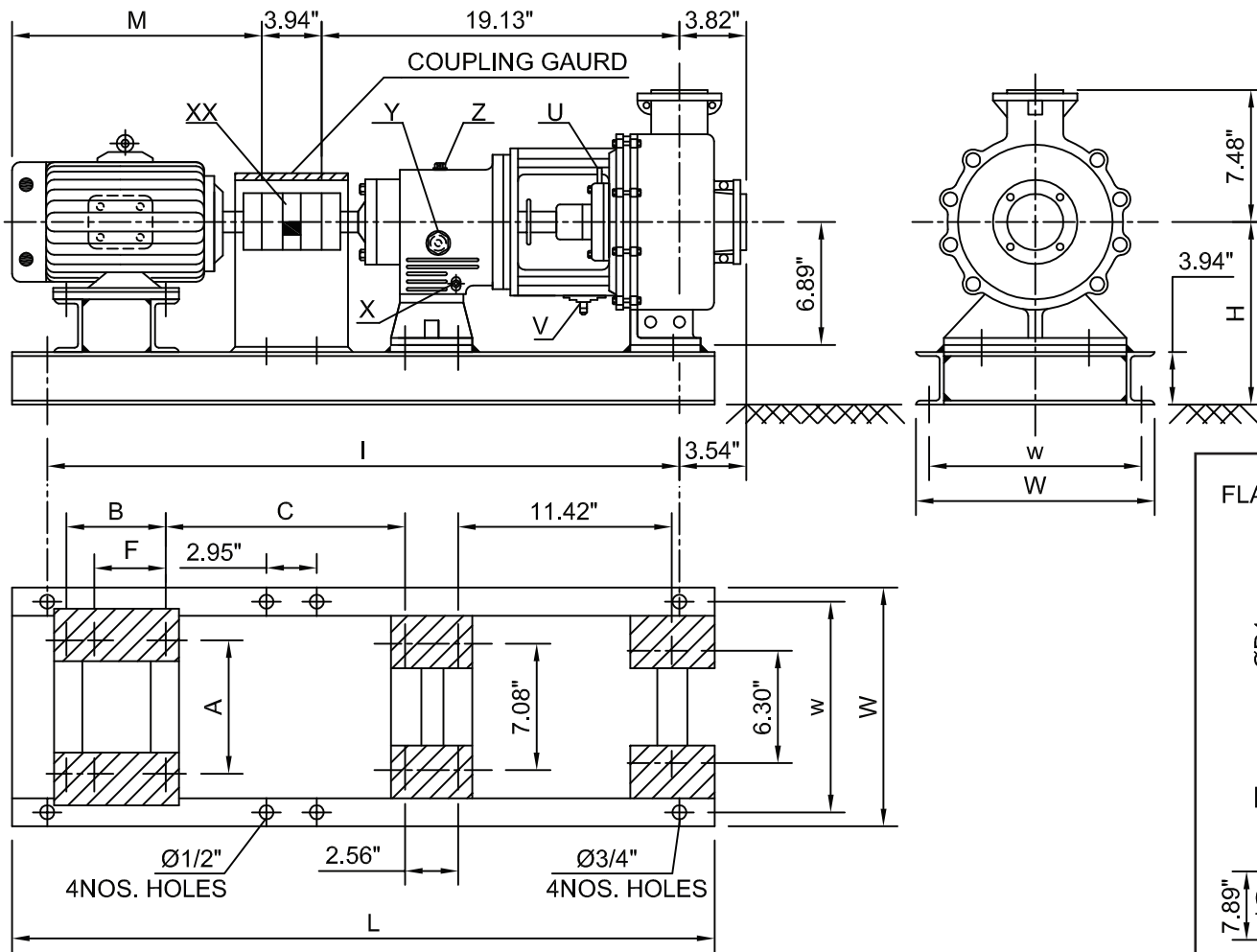
Inches

CITADEL

Chemical Process Pumps - SERIES 1

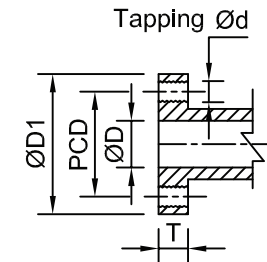
Shanley Pump
& Equipment, Inc.





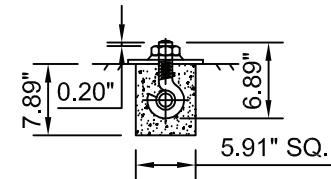
X - Oil Drain
 Y - Sight Glass
 Z - Vent
 XX - Coupling Flexible Spacer
 U - Cooling Inlet (size: 1/4" BSP)
 V - Cooling Outlet (size: 1/2" BPS)

FLANGE DETAILS STANDARD : ASA 150 ANSI B 16.5



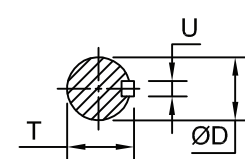
	SUC.	DEL.
NOS.	04	04
PCD.	6.00"	4.75"
T	0.63"	0.63"
$\text{Ø}d$	1/2" BSW	1/2" BSW
$\text{Ø}D1$	7.87"	6.69"
$\text{Ø}D$	3"	2"

FOUNDATION DETAILS



POCKET SIZE	5.91" X 7.87"
BOLT SIZE	5/8" BSW X 6.89"
NO.OF BOLTS	04

KEY-WAY DETAILS



	PUMP	MOTOR
TOLERANCE	+0.00020"	-0.00039"
T	1.10"	*
U	0.24"	*
$\text{Ø}D$	0.98"	*

CITADEL Pump Model CF50	Dimensions of pump												
	A	B	C	*D	F	H	I	L	M	*U	*T	W ₁	W ₂
112M	7.48	5.51	14.17	1.10	-	11.30	39.37	43.30	15.94	0.31	1.22	13.78	11.81
132S/M	8.50	7.0	15.71	1.50	5.51	11.61	39.37	43.30	18.50/20.28	0.39	1.61	13.78	11.81
160M/L	10	10	17.72	1.65	8.27	11.42	45.28	49.21	23.82/25.59	0.47	1.77	15.74	13.78

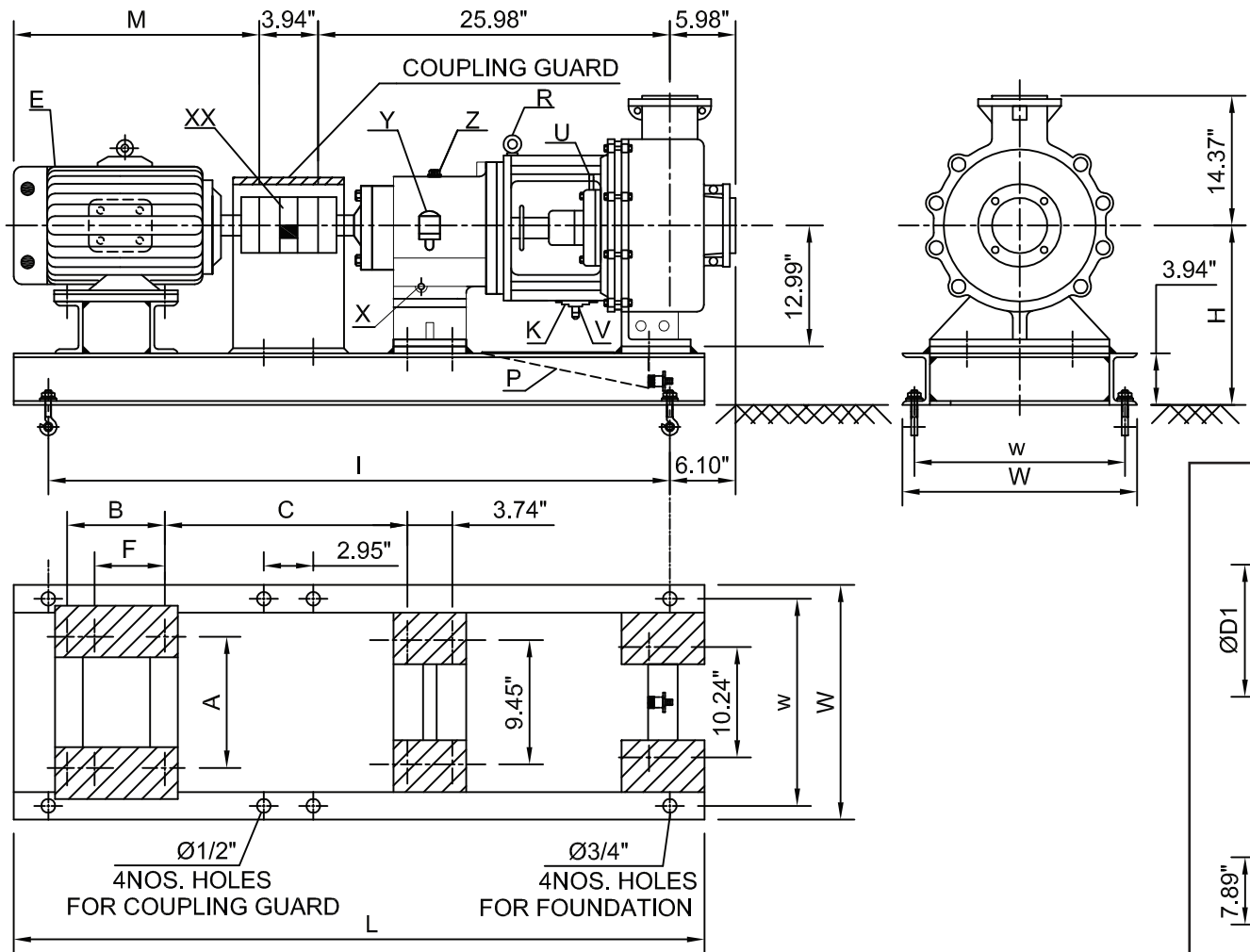
Inches

CITADEL

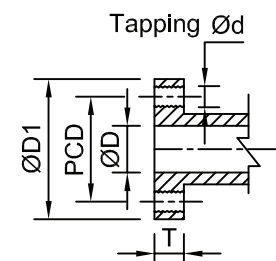
Chemical Process Pumps - SERIES 1

Shanley Pump
& Equipment, Inc.



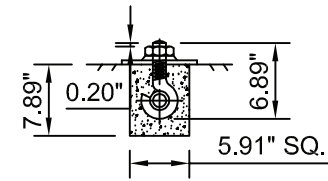


- X** - Oil Drain
- Y** - Constant Oil Leveler
- Z** - Breather
- XX** - Coupling Flexible Spacer
- U** - Cooling Inlet (size: 1/4" BSP)
- V** - Cooling Outlet (size: 1/2" BPS)
- R** - Lifting Lug
- K** - Drip Tray
- P** - Drip Pan Tray



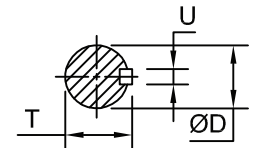
NOS.	04	04
PCD.	6.00"	4.75"
T	0.94"	0.75"
Ød	1/2" BSW	1/2" BSW
ØD1	7.87"	6.69"
ØD	3"	2"
	SUC.	DEL.

FOUNDATION DETAILS



POCKET SIZE	5.91" X 7.87"
BOLT SIZE	5/8"BSW X 6.89"
NO.OF BOLTS	04

KEY-WAY DETAILS



TOLERANCE	+0.00020"	-0.00039"
T	2.36"	*
U	0.47"	*
ØD	2.17"	*
	PUMP	MOTOR

CITADEL Pump Model CF110	A	B	C	*D	F	H	I	L	M	*U	*T	W ₁	W ₂
	180M/L	10.98	10.98	20.63	1.89	9.49	17.52	55.12	59.06	26.30/27.80	0.55	2.03	19.69
200L	12.52	12.01	22.36	2.17	-	17.52	55.12	59.06	30.51	0.63	2.32	19.69	17.72
225M	14.02	11.26	24.17	2.36	12.24	17.52	57.09	61.02	33.07	0.71	2.52	19.69	17.72

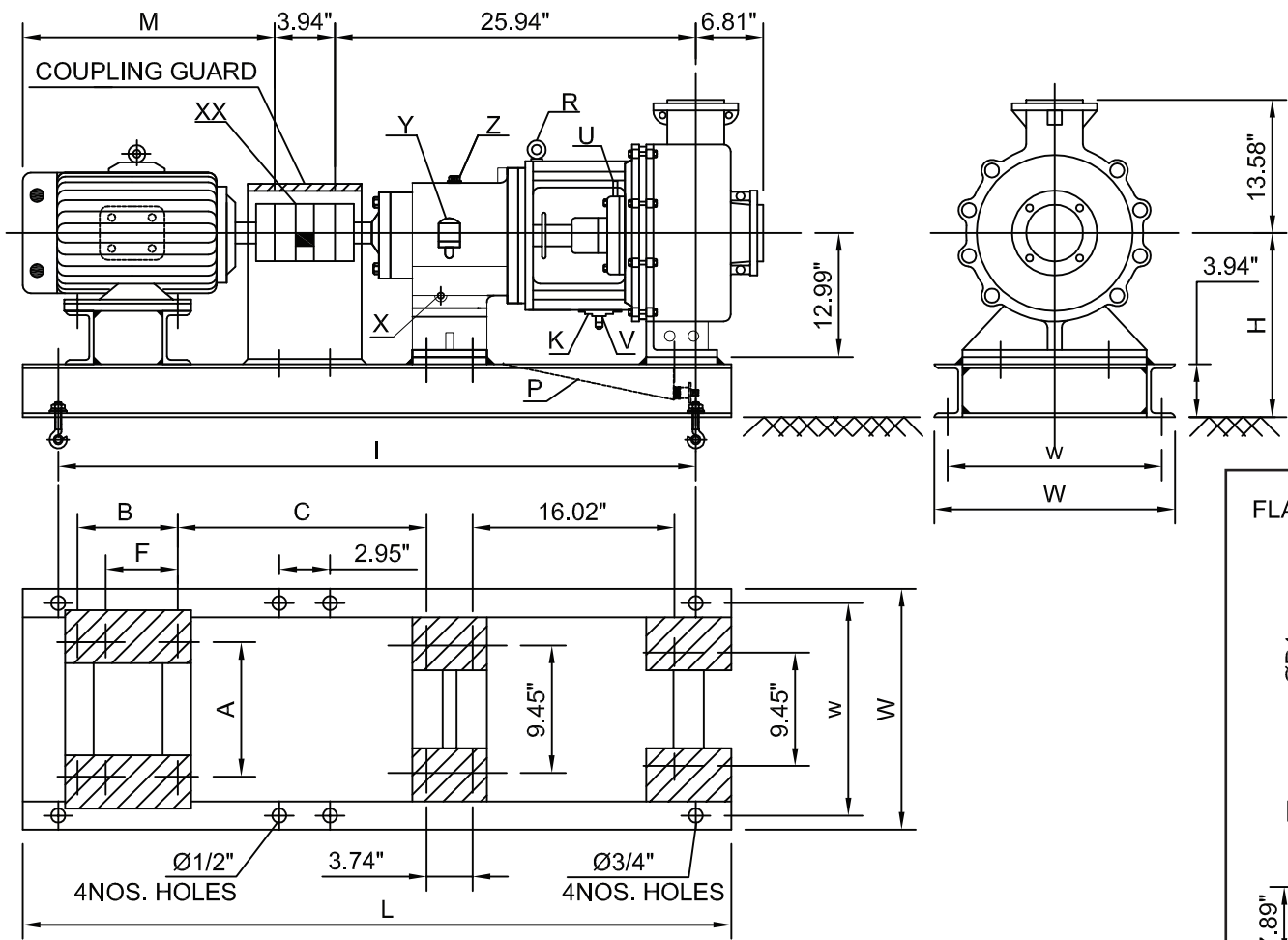
Inches

CITADEL

Chemical Process Pumps - SERIES 2

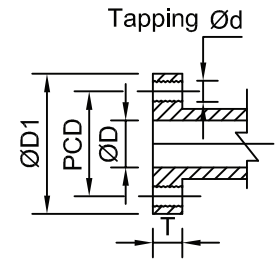
Shanley Pump & Equipment, Inc.





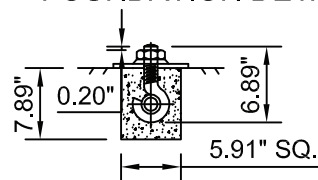
- X** - Oil Drain
- Y** - Constant Oil Leveler
- Z** - Breather
- XX** - Coupling Flexible Spacer
- U** - Cooling Inlet (size: 1/4" BSP)
- V** - Cooling Outlet (size: 1/2" BPS)
- R** - Lifting Lug
- K** - Drip Tray
- P** - Drip Pan Tray

FLANGE DETAILS STANDARD : ASA 150 ANSI B 16.5



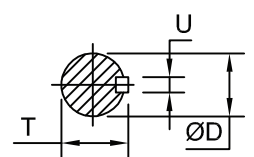
NOS.	8	8
PCD.	9.50"	8.50"
T	1.00"	1.00"
Ød	5/8" BSW	5/8" BSW
ØD1	11.22"	10.00"
ØD	6"	5"
	SUC.	DEL.

FOUNDATION DETAILS



POCKET SIZE	5.91" X 7.87"
BOLT SIZE	5/8"BSW X 6.89"
NO.OF BOLTS	04

KEY-WAY DETAILS



TOLERANCE	+0.00020"	-0.00039"
T	2.36"	*
U	0.47"	*
ØD	2.17"	*
	PUMP	MOTOR

CITADEL Pump Model CF120	Dimensions of pump													
	A	B	C	*D	F	H	I	L	M	*U	*T	W ₁	W ₂	
250S/M	15.98	12.24	23.74	2.56	13.62	17.52	59.06	62.99	37.01	0.71	2.72	19.69	17.72	
180L/M	10.98	10.98	16.77	1.89	9.49	17.52	57.09	61.02	26.30/27.89	0.55	2.03	19.69	17.72	
200L	12.52	12.01	22.36	2.17	-	17.52	57.09	61.02	30.51	0.63	2.32	19.69	17.72	

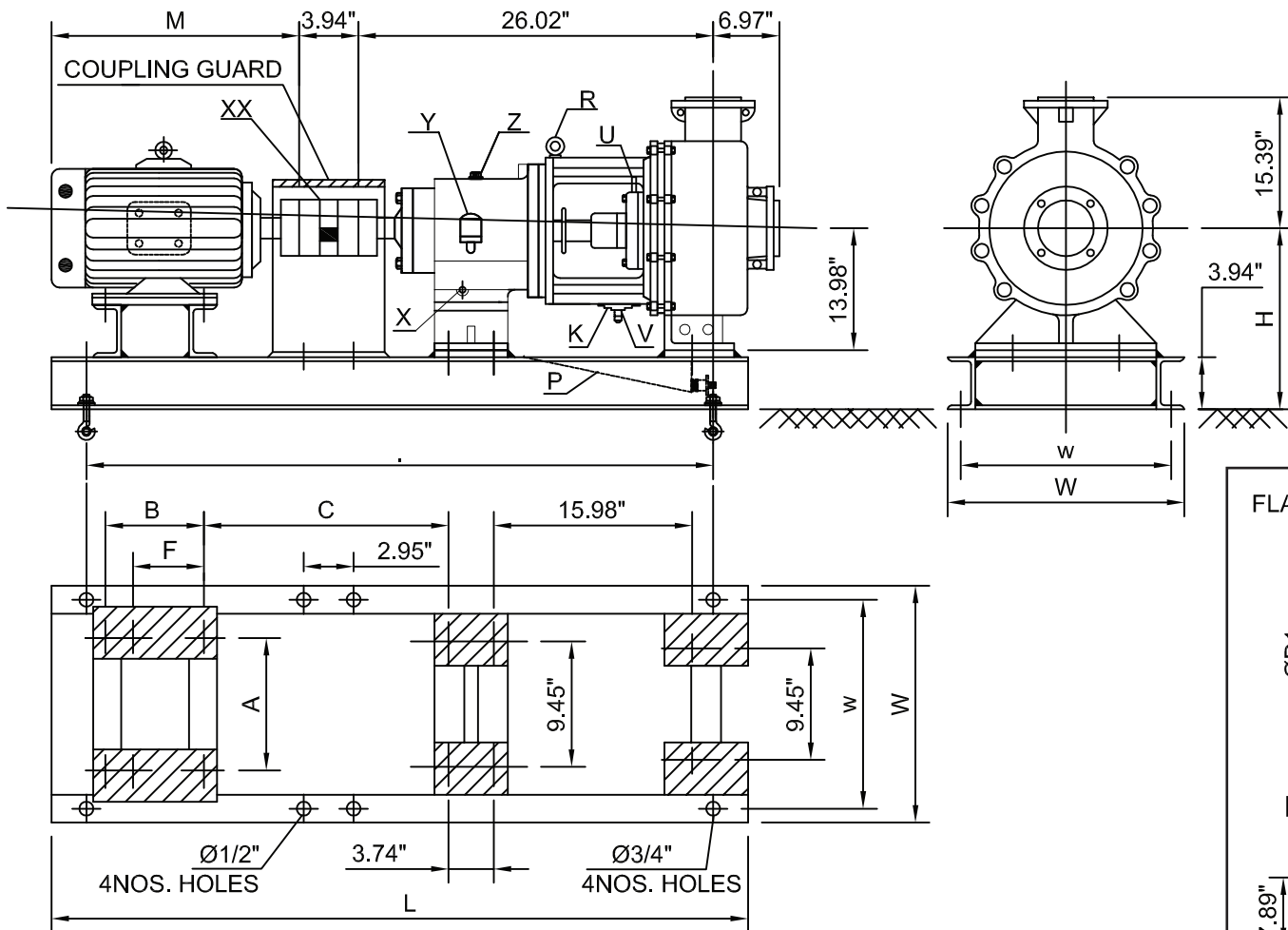
Inches

CITADEL

Chemical Process Pumps - SERIES 2

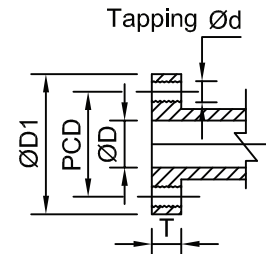
Shanley Pump & Equipment, Inc.





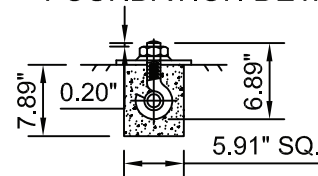
- X** - Oil Drain
- Y** - Constant Oil Leveler
- Z** - Breather
- XX** - Coupling Flexible Spacer
- U** - Cooling Inlet (size: 1/4" BSP)
- V** - Cooling Outlet (size: 1/2" BPS)
- R** - Lifting Lug
- K** - Drip Tray
- P** - Drip Pan Tray

FLANGE DETAILS STANDARD : ASA 150 ANSI B 16.5



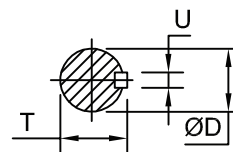
NOS.	8	8
PCD.	9.50"	8.50"
T	1.00"	1.00"
Ød	5/8" BSW	5/8" BSW
ØD1	11.22"	10.00"
ØD	6"	5"
	SUC.	DEL.

FOUNDATION DETAILS



POCKET SIZE	5.91" X 7.87"
BOLT SIZE	5/8" BSW X 6.89"
NO. OF BOLTS	04

KEY-WAY DETAILS



TOLERANCE	+0.00020"	-0.00039"
T	2.36"	*
U	0.47"	*
ØD	2.17"	*
	PUMP	MOTOR

CITADEL Pump Model CF150	Dimensions of pump												
	A	B	C	*D	F	H	I	L	M	*U	*T	W ₁	W ₂
225S/M	14.02	11.26	22.95	2.36	12.24	18.50	59.06	62.99	33.66/34.66	0.71	2.53	19.69	17.72
200L	12.52	12.01	21.14	2.17	-	18.50	57.09	61.02	31.69	0.63	2.33	19.69	17.72
180S/M	10.98	9.49	20.67	1.89	10.98	18.50	57.09	61.02	26.65/28.15	0.55	2.04	19.69	17.72
250S/M	15.98	12.24	23.54	2.56	13.74	18.50	62.99	66.93	37.01	0.71	2.72	19.69	17.72

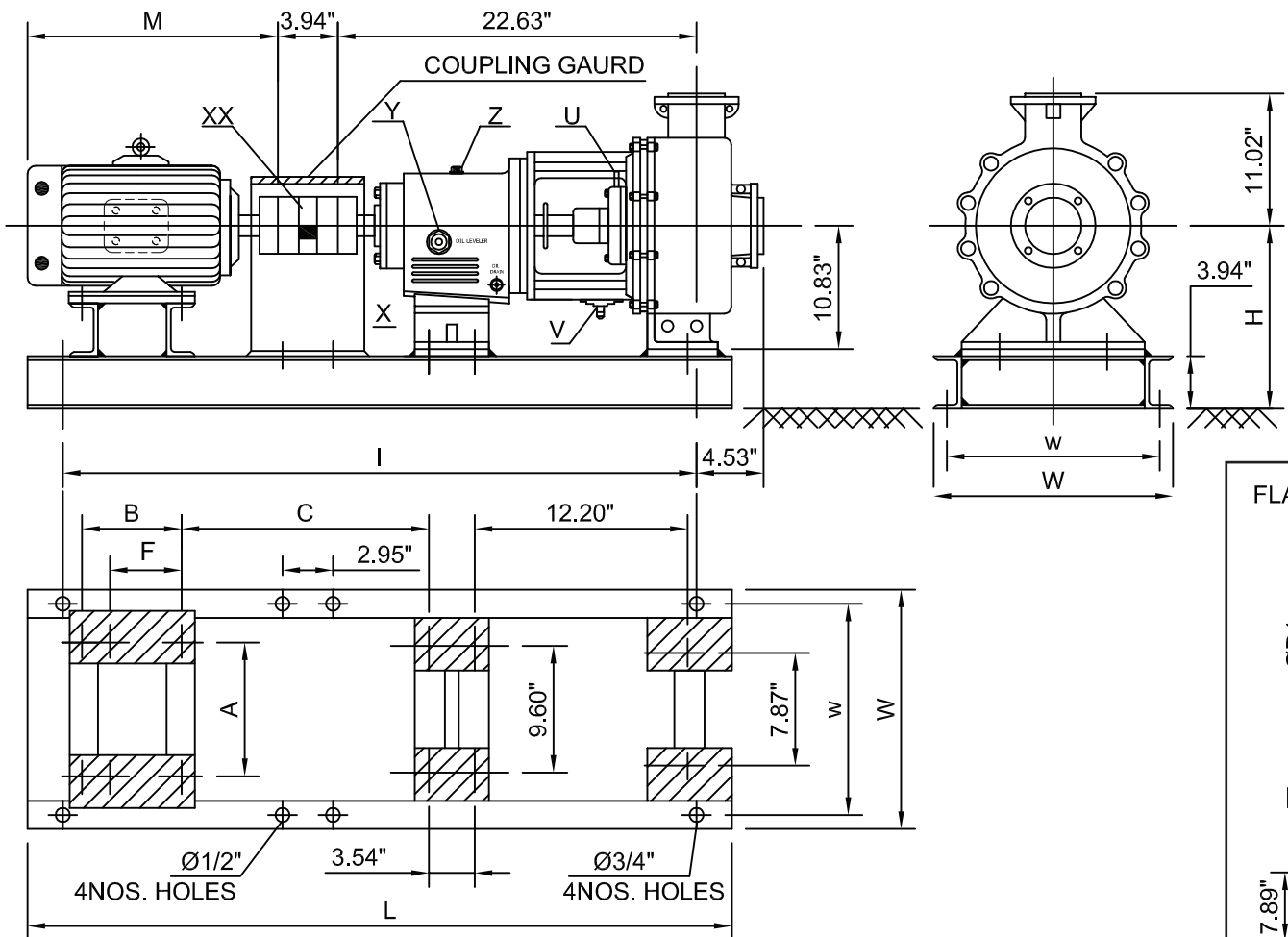
Inches

CITADEL

Chemical Process Pumps - SERIES 2

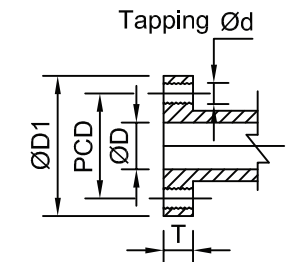
Shanley Pump
& Equipment, Inc.





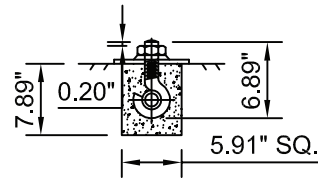
- X - Oil Drain
- Y - Sight Glass
- Z - Breather
- XX - Coupling Flexible Spacer
- U - Cooling Inlet (size: 1/4" BSP)
- V - Cooling Outlet (size: 1/2" BPS)

FLANGE DETAILS STANDARD : ASA 150 ANSI B 16.5



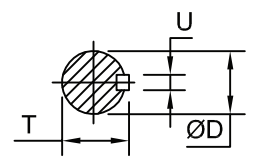
NOS.	04	04
PCD.	4.75"	3.87"
T	0.71"	0.71"
Ød	1/2" BSW	1/2" BSW
ØD1	6.69"	6.10"
ØD	2"	1 1/2"
	SUC.	DEL.

FOUNDATION DETAILS



POCKET SIZE	5.91" X 7.87"
BOLT SIZE	5/8"BSW X 6.89"
NO.OF BOLTS	04

KEY-WAY DETAILS



TOLERANCE	+0.00020"	-0.00039"
T	1.81"	*
U	0.31"	*
ØD	1.65"	*
	PUMP	MOTOR

CITADEL Pump Model CFM55													
	A	B	C	*D	F	H	I	L	M	*U	*T	W ₁	W ₂
112	7.48	5.51	16.92	1.10	-	15.35	45.28	49.21	15.94	0.31	1.22	15.74	13.78
132S/M	8.50	7.0	16.92	1.50	5.51	15.35	51.18	55.11	18.50/20.08	0.39	1.61	15.74	13.78
160M/L	10	10	20.47	1.65	8.27	15.35	51.18	55.11	23.82/25.59	0.47	1.77	15.74	13.78

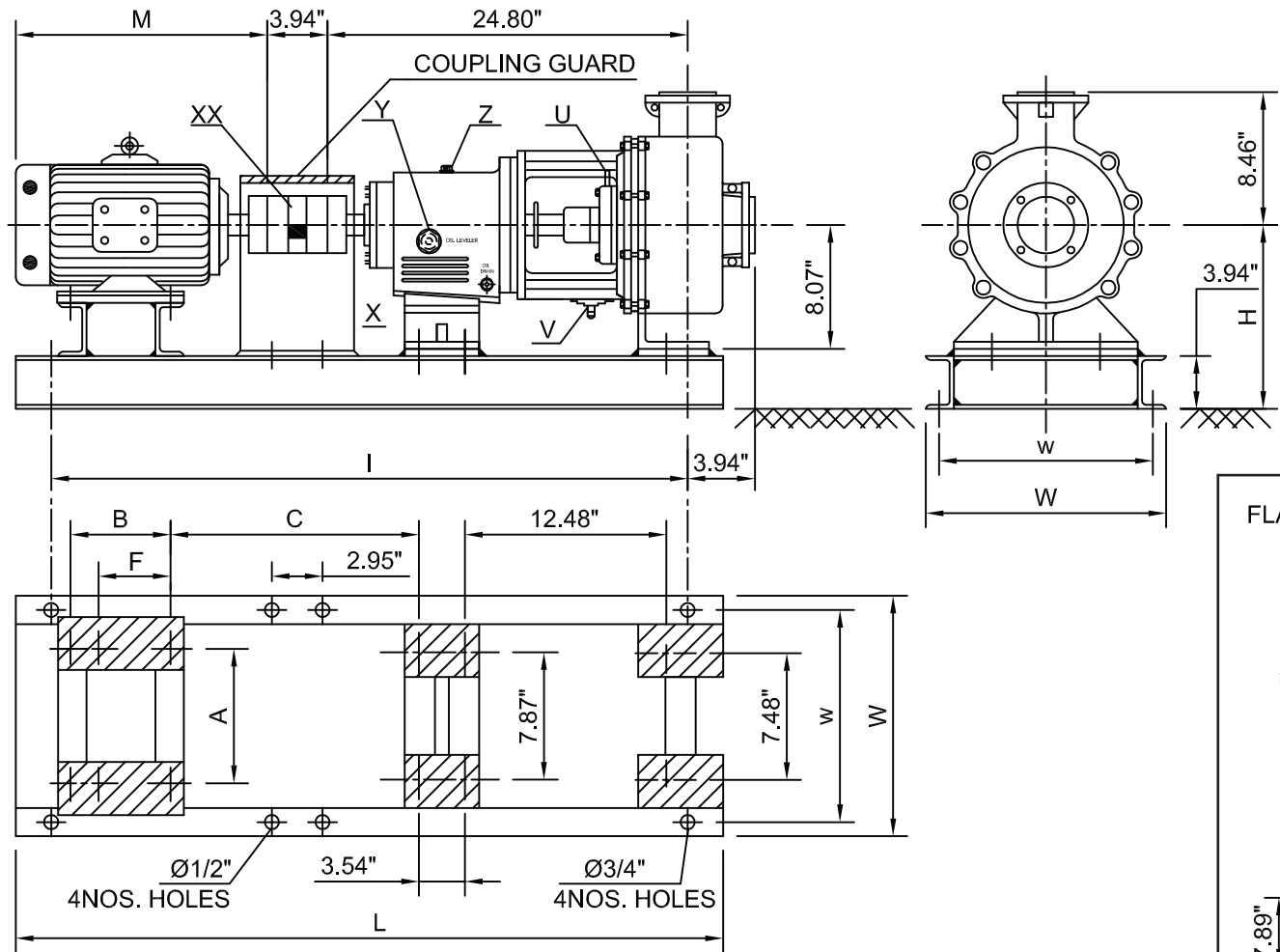
Inches

CITADEL

Chemical Process Pumps - SERIES 3

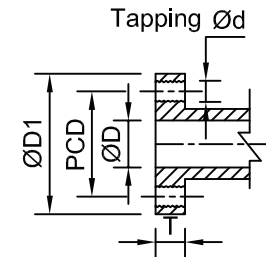
Shanley Pump & Equipment, Inc.





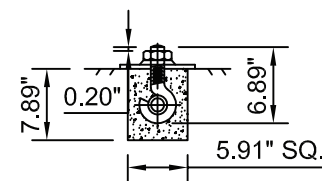
- X - Oil Drain
- Y - Sight Glass
- Z - Breather
- XX - Coupling Flexible Spacer
- U - Cooling Inlet (size: 1/4" BSP)
- V - Cooling Outlet (size: 1/2" BPS)

FLANGE DETAILS STANDARD : ASA 150 ANSI B 16.5



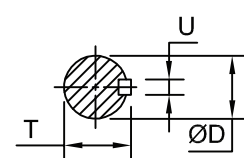
NOS.	04	04
PCD.	6.00"	4.75"
T	0.94"	0.75"
Ød	1/2" BSW	1/2" BSW
ØD1	7.87"	6.69"
ØD	3"	2"
	SUC.	DEL.

FOUNDATION DETAILS



POCKET SIZE	5.91" X 7.87"
BOLT SIZE	5/8"BSW X 6.89"
NO.OF BOLTS	04

KEY-WAY DETAILS



TOLERANCE	+0.00020"	-0.00039"
T	1.81"	*
U	0.31"	*
ØD	1.65"	*
	PUMP	MOTOR

CITADEL Pump Model CFM60	Dimensions of pump												
	A	B	C	*D	F	H	I	L	M	*U	*T	W ₁	W ₂
132S/M	8.50	7.01	18.5	1.50	5.51	12.60	49.21	53.15	18.5/20.08	0.39	1.61	15.75	13.78
160M/L	10.0	10.0	20.47	1.65	8.27	12.60	49.21	53.15	23.82/25.59	0.47	1.77	15.75	13.78
180M/L	10.98	10.98	21.06	1.89	9.49	12.60	51.18	53.15	26.3/27.8	0.55	2.03	15.75	13.78
200L	12.52	12.01	21.46	2.17	-	12.60	55.12	59.06	30.51	0.63	2.32	15.75	13.78

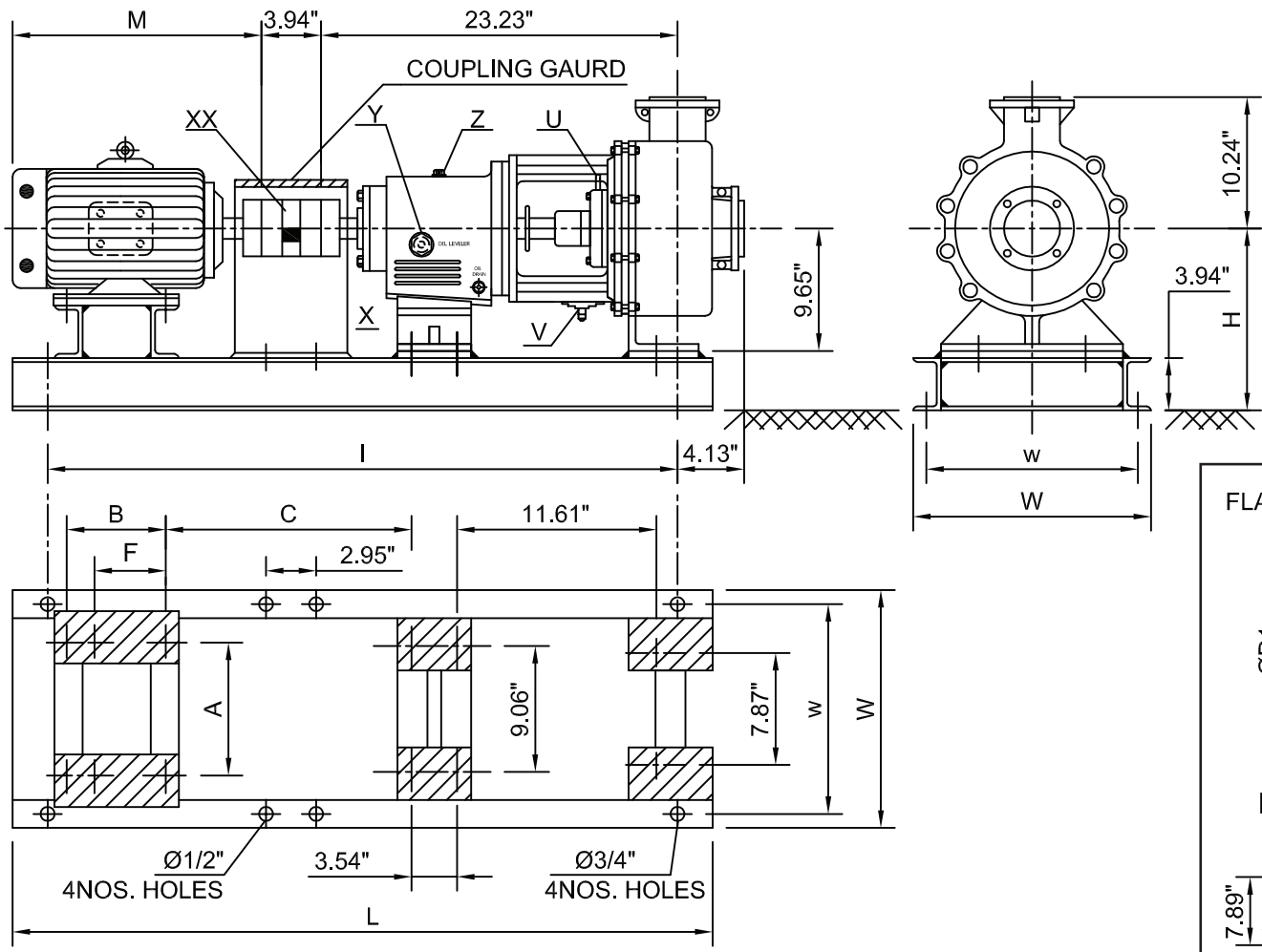
Inches

CITADEL

Chemical Process Pumps - SERIES 3

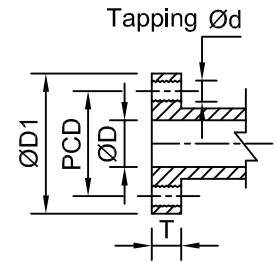
Shanley Pump
& Equipment, Inc.





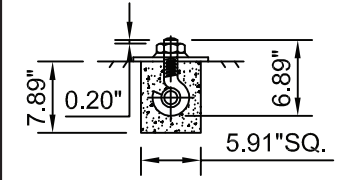
- X - Oil Drain
- Y - Sight Glass
- Z - Breather
- XX - Coupling Flexible Spacer
- U - Cooling Inlet (size: 1/4" BSP)
- V - Cooling Outlet (size: 1/2" BPS)

FLANGE DETAILS STANDARD : ASA 150 ANSI B 16.5



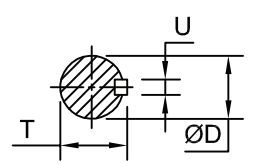
NOS.	04	04
PCD.	6.00"	4.75"
T	0.94"	0.75"
Ød	1/2" BSW	1/2" BSW
ØD1	7.87"	6.69"
ØD	3"	2"
	SUC.	DEL.

FOUNDATION DETAILS



POCKET SIZE	5.91" X 7.87"
BOLT SIZE	5/8" BSW X 6.89"
NO. OF BOLTS	04

KEY-WAY DETAILS



TOLERANCE	+0.00020"	-0.00039"
T	1.81"	*
U	0.31"	*
ØD	1.65"	*
	PUMP	MOTOR

CITADEL Pump Model CFM70	Dimensions of pump												
	A	B	C	*D	F	H	I	L	M	*U	*T	W ₁	W ₂
132S/M	8.50	7.01	18.5	1.50	5.51	14.17	51.18	55.12	18.5/20.08	0.39	1.61	15.75	13.78
180M	10.98	10.98	21.06	1.89	9.49	14.37	55.12	59.06	26.3/27.87	0.55	2.03	19.69	15.75
200L	12.52	12.01	21.46	2.17	-	14.37	55.12	59.06	30.51	0.63	2.32	19.69	17.72
225S/M	14.02	11.26	23.23	2.36	12.24	14.17	55.12	59.06	33.07	0.71	2.52	19.69	17.72

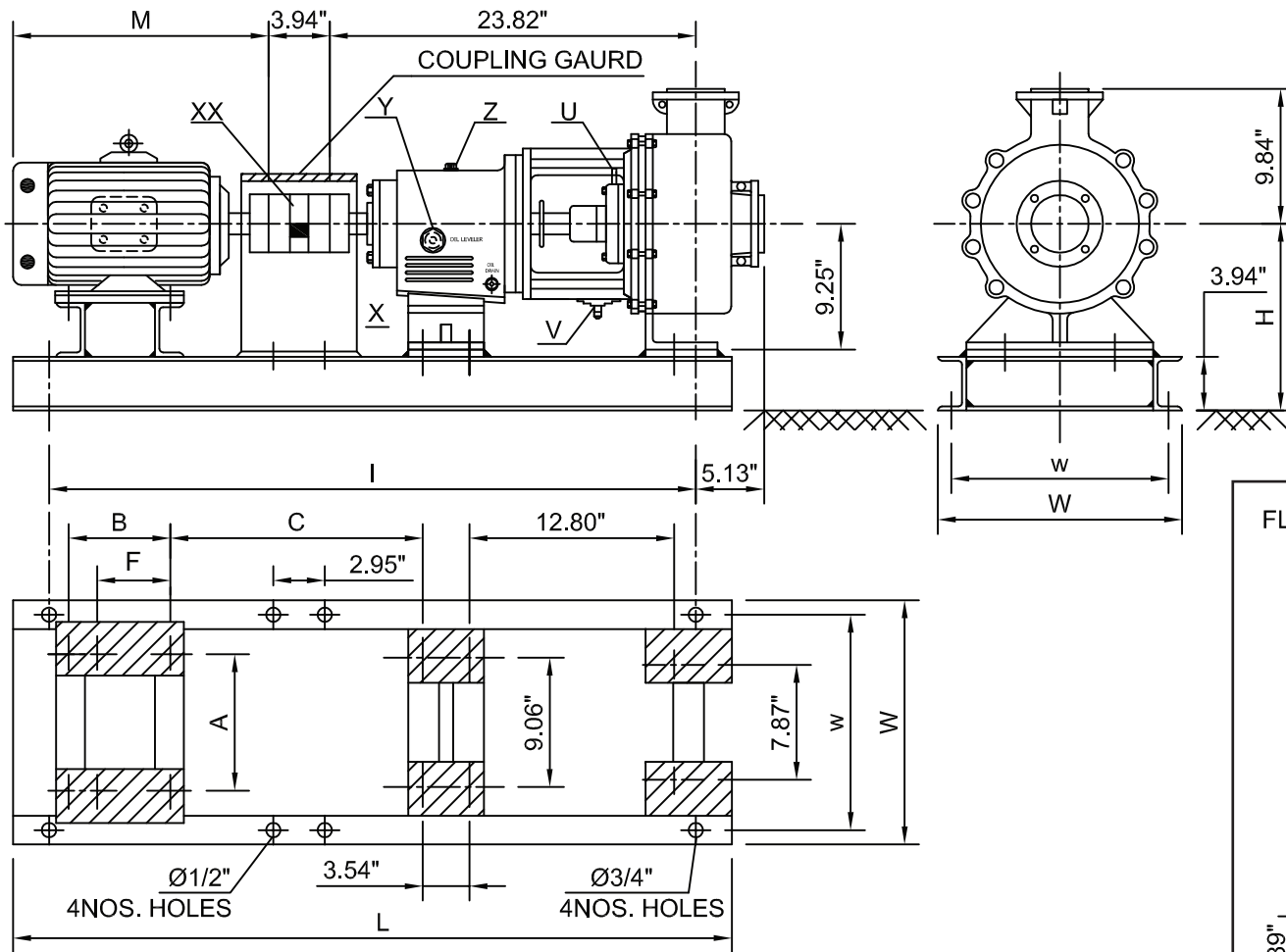
Inches

CITADEL

Chemical Process Pumps - SERIES 3

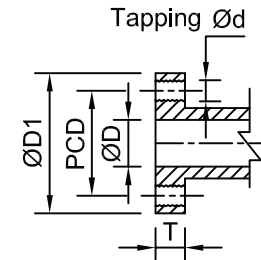
**Shanley Pump
& Equipment, Inc.**





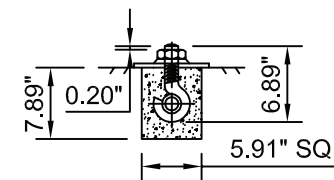
- X - Oil Drain
- Y - Sight Glass
- Z - Breather
- XX - Coupling Flexible Spacer
- U - Cooling Inlet (size: 1/4" BSP)
- V - Cooling Outlet (size: 1/2" BPS)

FLANGE DETAILS STANDARD : ASA 150 ANSI B 16.5



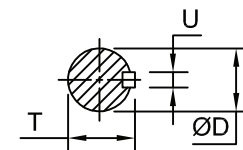
	04	04
NOS.	04	04
PCD.	7.5"	6"
T	0.94"	0.94"
Ød	1/2" BSW	1/2" BSW
ØD1	8.66"	7.87"
ØD	4"	3"
	SUC.	DEL.

FOUNDATION DETAILS



POCKET SIZE	5.91" X 7.87"
BOLT SIZE	5/8" BSW X 6.89"
NO. OF BOLTS	04

KEY-WAY DETAILS



	TOLERANCE	+0.00020"	-0.00039"
T	1.81"	*	
U	0.31"	*	
ØD	1.65"	*	
	PUMP	MOTOR	

**CITADEL
Pump Model
CFM80**

Dimensions of pump

	A	B	C	*D	F	H	I	L	M	*U	*T	W ₁	W ₂
180L/M	10.98	10.98	20.91	1.89	9.49	13.87	55.12	59.06	26.3/27.8	0.55	2.03	15.75	13.87
200L	12.52	12.01	21.46	2.17	-	13.87	55.12	59.06	30.51	0.63	2.32	19.69	17.72
160L/M	10.0	10.0	20.47	1.65	8.27	13.87	55.12	59.06	23.82/25.59	0.47	1.77	15.75	13.78
132S/M	8.50	7.01	18.5	1.50	5.51	13.87	51.18	55.12	18.5/20.08	0.39	1.61	15.75	13.78
112	7.48	5.51	16.93	1.10	-	13.87	45.28	49.21	15.94	0.31	1.22	15.75	13.78

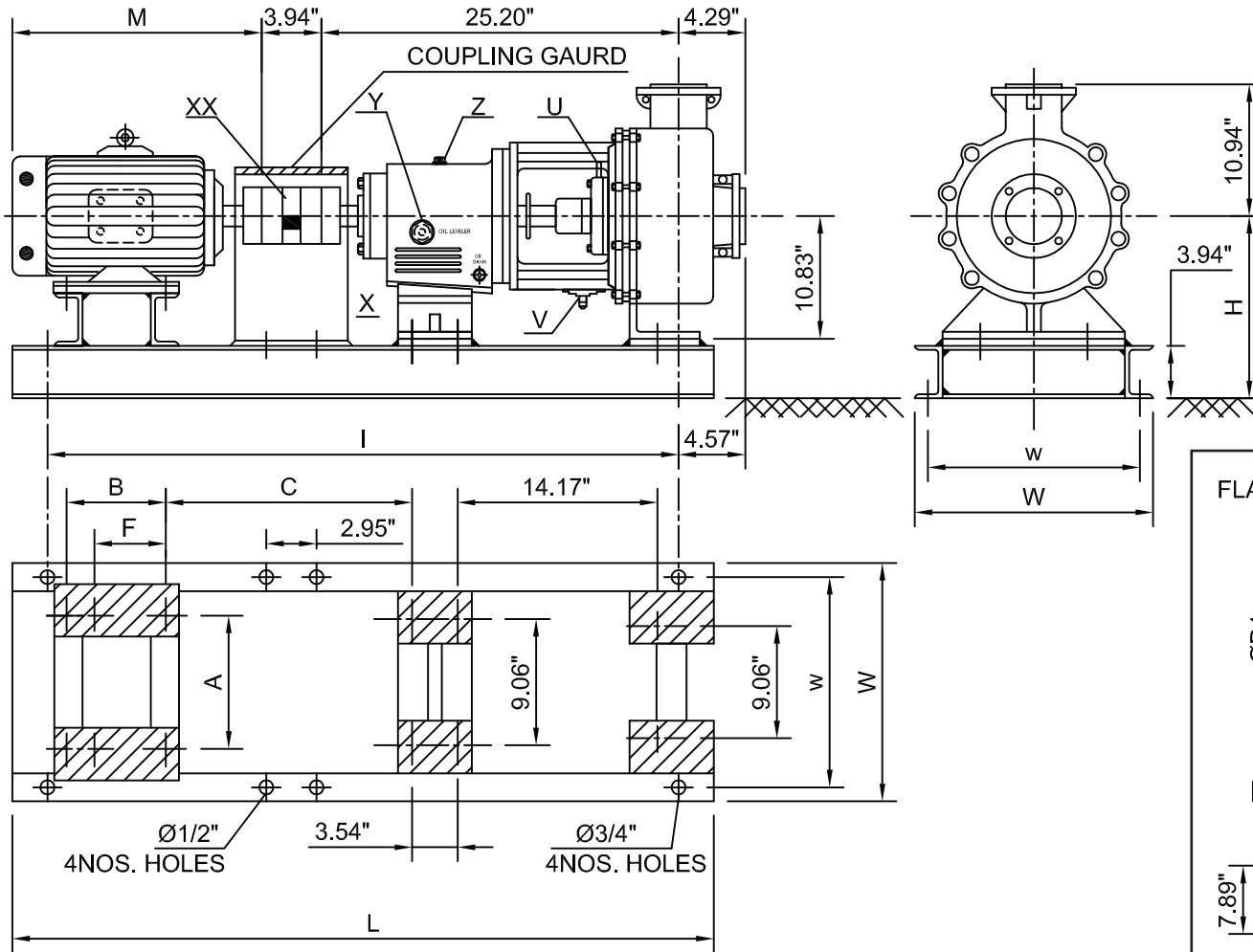
Inches

CITADEL

Chemical Process Pumps - SERIES 3

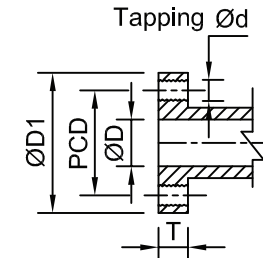
**Shanley Pump
& Equipment, Inc.**





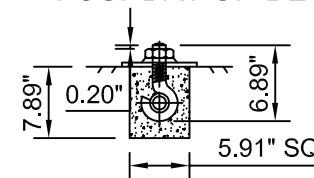
X - Oil Drain
 Y - Sight Glass
 Z - Breather
 XX - Coupling Flexible Spacer
 U - Cooling Inlet (size: 1/4" BSP)
 V - Cooling Outlet (size: 1/2" BPS)

FLANGE DETAILS STANDARD : ASA 150 ANSI B 16.5



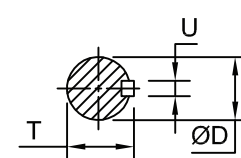
	SUC.	DEL.
NOS.	04	04
PCD.	6.00"	4.75"
T	0.79"	0.75"
Ød	1/2" BSW	1/2" BSW
ØD1	7.87"	6.69"
ØD	3"	2"

FOUNDATION DETAILS



POCKET SIZE	5.91" X 7.87"
BOLT SIZE	5/8" BSW X 6.89"
NO. OF BOLTS	04

KEY-WAY DETAILS



	TOLERANCE	
T	1.81"	*
U	0.31"	*
ØD	1.65"	*
	PUMP	MOTOR

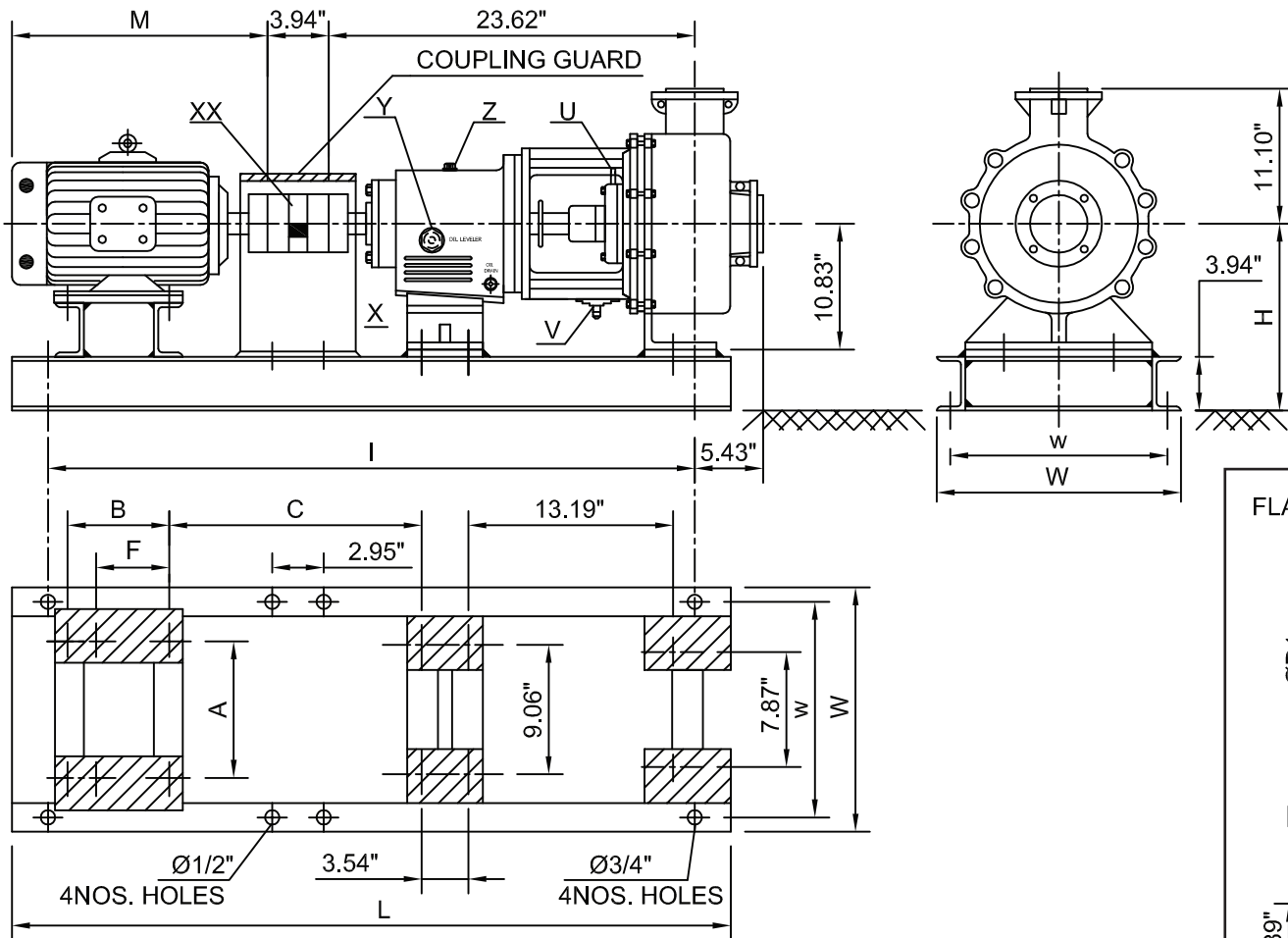
CITADEL Pump Model CFM85	Dimensions of pump													Inches
	A	B	C	*D	F	H	I	L	M	*U	*T	W ₁	W ₂	
180L/M	10.98	10.98	20.91	1.98	9.49	15.55	55.12	59.06	26.3/27.8	0.55	2.03	19.69	17.72	
160L/M	10.0	10.0	20.47	1.65	8.27	15.35	55.12	59.06	23.82/25.59	0.47	1.77	19.69	17.72	

CITADEL

Chemical Process Pumps - SERIES 3

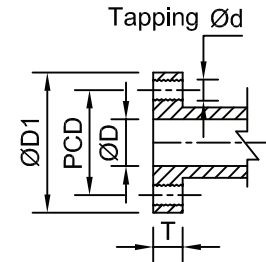
Shanley Pump
& Equipment, Inc.





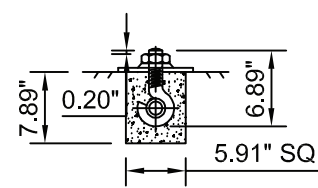
- X - Oil Drain
- Y - Sight Glass
- Z - Breather
- XX - Coupling Flexible Spacer
- U - Cooling Inlet (size: 1/4" BSP)
- V - Cooling Outlet (size: 1/2" BPS)

FLANGE DETAILS STANDARD : ASA 150 ANSI B 16.5



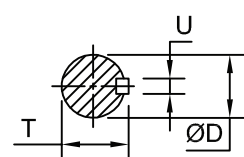
NOS.	04	04
PCD.	7.50"	6.00"
T	0.94"	0.94"
Ød	1/2" BSW	1/2" BSW
ØD1	9"	7.87"
ØD	4"	3"
	SUC.	DEL.

FOUNDATION DETAILS



POCKET SIZE	5.91" X 7.87"
BOLT SIZE	5/8"BSW X 6.89"
NO.OF BOLTS	04

KEY-WAY DETAILS



TOLERANCE	+0.00020"	-0.00039"
T	1.81"	*
U	0.31"	*
ØD	1.65"	*
	PUMP	MOTOR

CITADEL Pump Model CFM90	Dimensions of pump												
	A	B	C	*D	F	H	I	L	M	*U	*T	W ₁	W ₂
180L/M	10.89	10.98	20.91	1.89	9.49	15.55	55.12	59.06	26.3/27.8	0.55	2.03	19.69	17.72
160L/M	10.0	10.0	20.47	1.65	8.27	15.35	55.12	59.06	23.82/25.59	0.47	1.77	19.69	17.72
225M	14.02	11.26	23.19	2.36	12.24	15.35	59.06	62.99	33.07	0.71	2.52	19.69	17.72

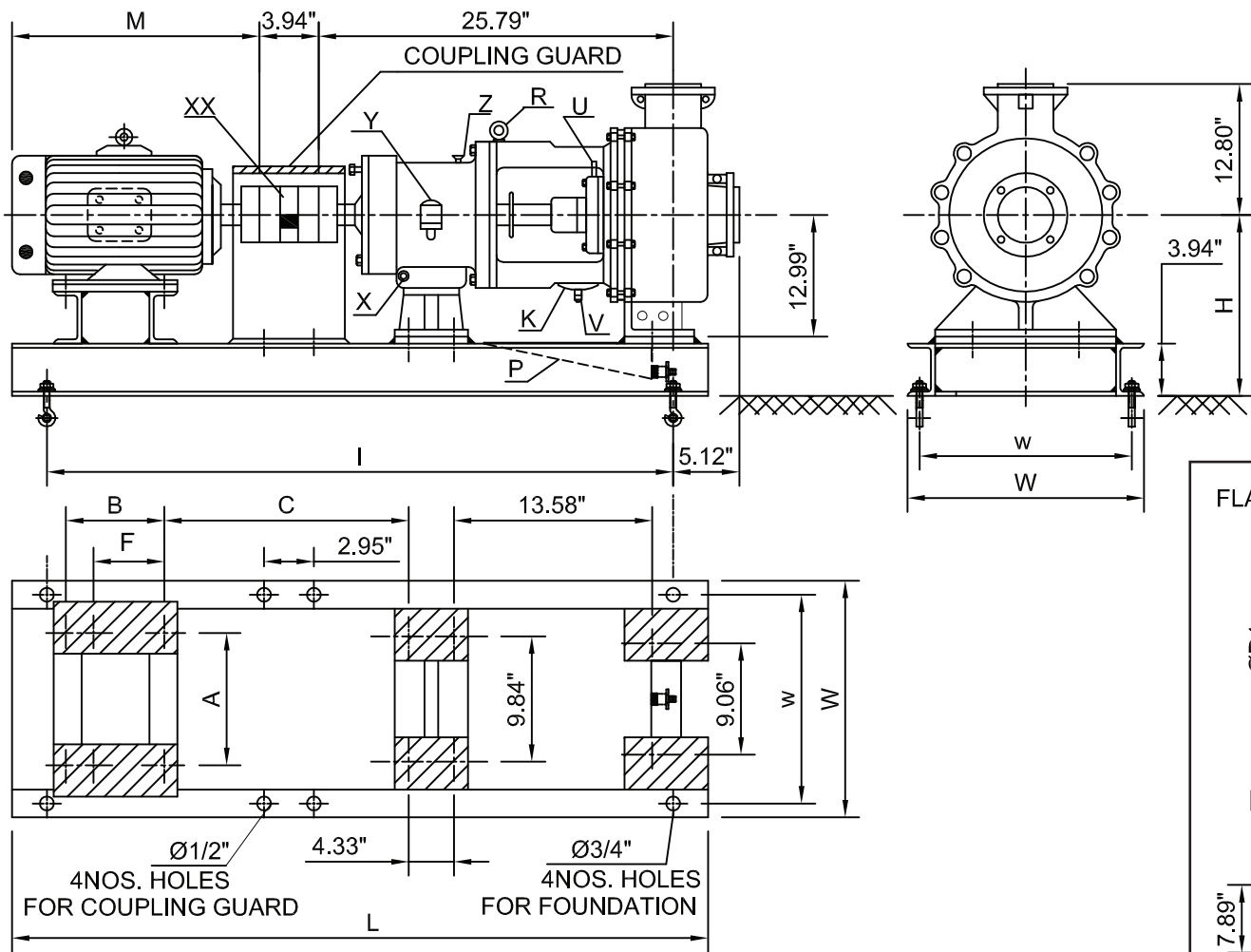
Inches

CITADEL

Chemical Process Pumps - SERIES 3

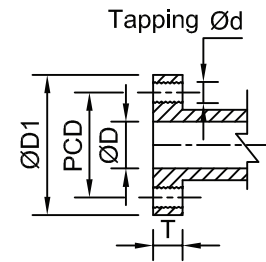
Shanley Pump
& Equipment, Inc.





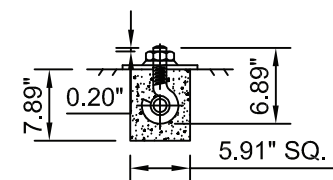
- X - Oil Drain
- Y - Sight Glass
- Z - Breather
- XX - Coupling Flexible Spacer
- U - Cooling Inlet (size: 1/4" BSP)
- V - Cooling Outlet (size: 1/2" BPS)

FLANGE DETAILS STANDARD : ASA 150 ANSI B 16.5



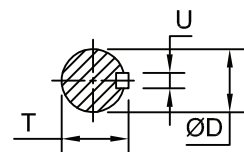
NOS.	04	04
PCD.	7.50"	6.00"
T	0.94"	0.94"
Ød	1/2" BSW	1/2" BSW
ØD1	9.00"	7.87"
ØD	4"	3"
	SUC.	DEL.

FOUNDATION DETAILS



POCKET SIZE	5.91" X 7.87"
BOLT SIZE	5/8"BSW X 6.89"
NO.OF BOLTS	04

KEY-WAY DETAILS



TOLERANCE	+0.00020"	-0.00039"
T	1.93"	*
U	0.47"	*
ØD	1.77"	*
	PUMP	MOTOR

CITADEL Pump Model CFM95	Dimensions of pump												
	A	B	C	*D	F	H	I	L	M	*U	*T	W ₁	W ₂
180M/L	10.98	10.98	21.89	1.89	9.49	17.52	57.09	61.02	26.3/27.8	0.55	2.03	19.69	17.72
200L	12.52	12.01	22.36	2.17	-	17.52	57.09	61.02	30.51	0.63	2.32	19.69	17.72
225M	14.02	11.26	21.61	2.36	12.24	17.52	57.09	62.99	33.07	0.71	2.52	19.69	17.72

Inches

CITADEL

Chemical Process Pumps - SERIES 3

Shanley Pump
& Equipment, Inc.

