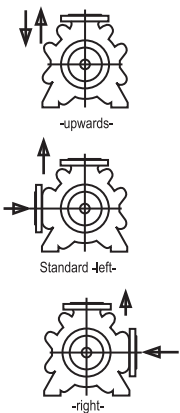
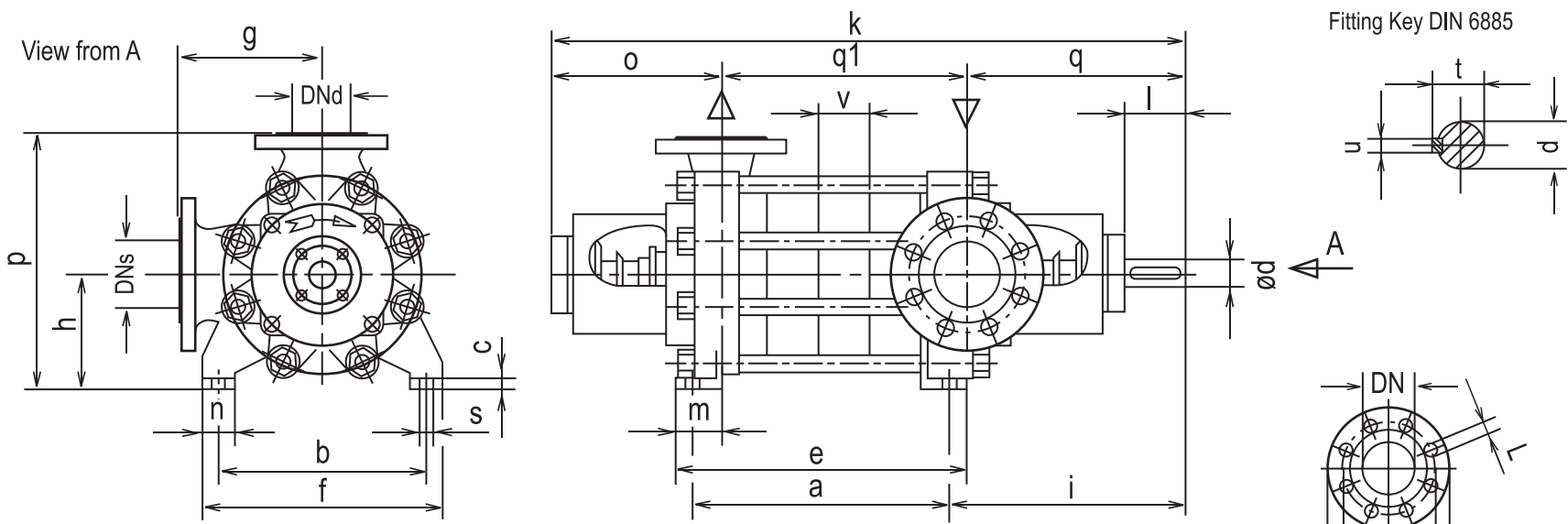


Direction of flange  
Viewed from - A -



**MKH**  
Pump Model



**Dimensions**

Size	DNs	DNd	b	c	d	f	g	h	i	l	m	n	o	p	q	s	t	u	v	Suction Flange	Discharge Flange
25	1.5748	0.9843	9.252	0.55	0.867	10.63	6.3	4.41	10.02	1.97	1.97	1.87	7.28	10.71	8.41	0.67	0.97	0.236	1.77	PN 16	PN 40
32	1.9685	1.2598	10.623	0.63	1.102	12.402	7.09	5.197	12.3	2.36	2.17	2.07	8.76	12.28	10.14	0.71	1.22	0.315	2.274	PN 16	PN 40
40	2.5591	1.5748	9.45	0.71	1.26	12.205	8.86	7.09	14.51	3.15	2.56	2.56	9.49	15.95	12.03	0.83	1.38	0.394	2.48	PN 16	PN 40
50	3.1496	1.9685	9.45	0.71	1.26	12.205	8.86	7.09	15.02	3.15	2.56	2.56	9.49	15.95	12.22	0.83	1.38	0.394	2.6	PN 16	PN 40
65	3.937	2.5591	11.02	0.79	1.496	13.78	9.84	7.874	16.36	3.15	2.95	2.95	10.67	17.72	12.91	0.91	1.61	0.394	2.95	PN 16	PN 40

**Flange Size**

Flanges PN 16 : DIN 2533

DN	D	K	L	No.
1.5748	5.9055	4.3307	0.7078	4
1.9685	6.4961	4.9216	0.7078	4
2.5591	7.2835	5.7087	0.7078	4
3.1496	7.874	6.2992	0.7078	8
3.937	8.6614	7.0866	0.7078	8

Flanges PN 40 : DIN 2535

DN	D	K	L	No.
0.9843	4.5276	3.3465	0.7078	4
1.2598	5.5118	3.937	0.7078	4
1.5748	5.9055	4.3307	0.7078	4
1.9685	6.4961	4.9213	0.7078	4
2.5591	7.2835	5.7087	0.7078	8

Inches

No. of Stages	Pump Size - 25				Pump Size - 32				Pump Size - 40				Pump Size - 50				Pump Size - 65			
	a	e	k	q1	a	e	k	q1	a	e	k	q1	a	e	k	q1	a	e	k	q1
2	3.78	5.04	19.7	4.06	4.25	5.63	23.84	4.94	5.02	6.59	27.24	5.73	5.22	6.8	27.95	6.24	5.81	7.78	30.87	7.28
3	5.55	6.81	21.48	5.83	6.52	7.89	26.1	7.21	7.5	9.08	29.72	8.21	7.82	9.39	30.55	8.84	8.76	10.73	33.82	10.24
4	7.32	8.58	23.25	7.6	8.78	10.16	28.37	9.47	9.98	11.56	32.21	10.68	10.41	11.99	33.15	11.44	11.71	13.68	36.77	13.19
5	9.09	10.35	25.02	9.37	11.04	12.42	30.63	11.73	12.46	14.04	34.69	13.17	13.01	14.59	35.75	14.04	14.67	16.63	39.72	16.14
6	10.87	12.13	26.79	11.14	13.31	14.69	32.89	13.99	14.94	16.52	37.17	15.65	15.61	17.19	38.35	16.63	17.62	19.59	42.68	19.09
7	12.64	13.9	28.56	12.91	15.57	16.95	35.16	16.26	17.42	18.99	39.65	18.13	18.21	19.79	40.95	19.23	20.57	22.54	45.63	22.05
8	14.41	15.67	30.34	14.69	17.83	19.21	37.42	18.52	19.9	21.48	42.13	20.61	20.81	22.38	43.54	21.83	23.52	25.49	48.58	25.0
9	16.18	17.44	32.11	16.46	20.1	21.48	39.69	20.79	22.38	23.96	44.6	23.09	23.41	24.98	46.14	24.43	26.48	28.45	51.54	27.95
10	17.96	19.21	33.88	18.23	22.36	23.74	41.95	23.05	24.86	26.44	47.09	25.57	26.01	27.58	48.74	27.03	29.43	31.4	54.49	30.91
11	19.72	20.98	35.65	20.0	24.63	26.01	44.21	25.32	27.34	28.92	49.57	28.05	28.6	30.18	51.34	29.63	32.38	34.35	57.44	33.86
12	21.49	22.76	37.42	21.77	26.89	28.27	46.48	27.58	29.82	31.4	52.05	30.53	31.2	32.78	53.94	32.22	35.35	37.3	60.4	36.81
13	23.27	24.53	39.2	23.54	29.15	30.53	48.74	29.84	32.3	33.88	54.53	33.01	33.8	35.38	56.54	34.82				
14	25.04	26.3	40.97	25.32	31.42	32.8	51.01	32.11	34.78	36.36	57.01	35.5								
15	26.81	28.07	42.74	27.09	33.68	35.06	53.27	34.37												
16	28.58	29.84	44.51	28.86																
17	30.35	31.61	46.28	30.63																
18	32.13	33.39	48.05	32.4																

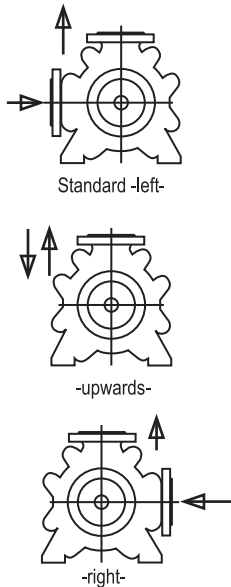
**MKH 25 - 65**

High Pressure Multistage Centrifugal Pump

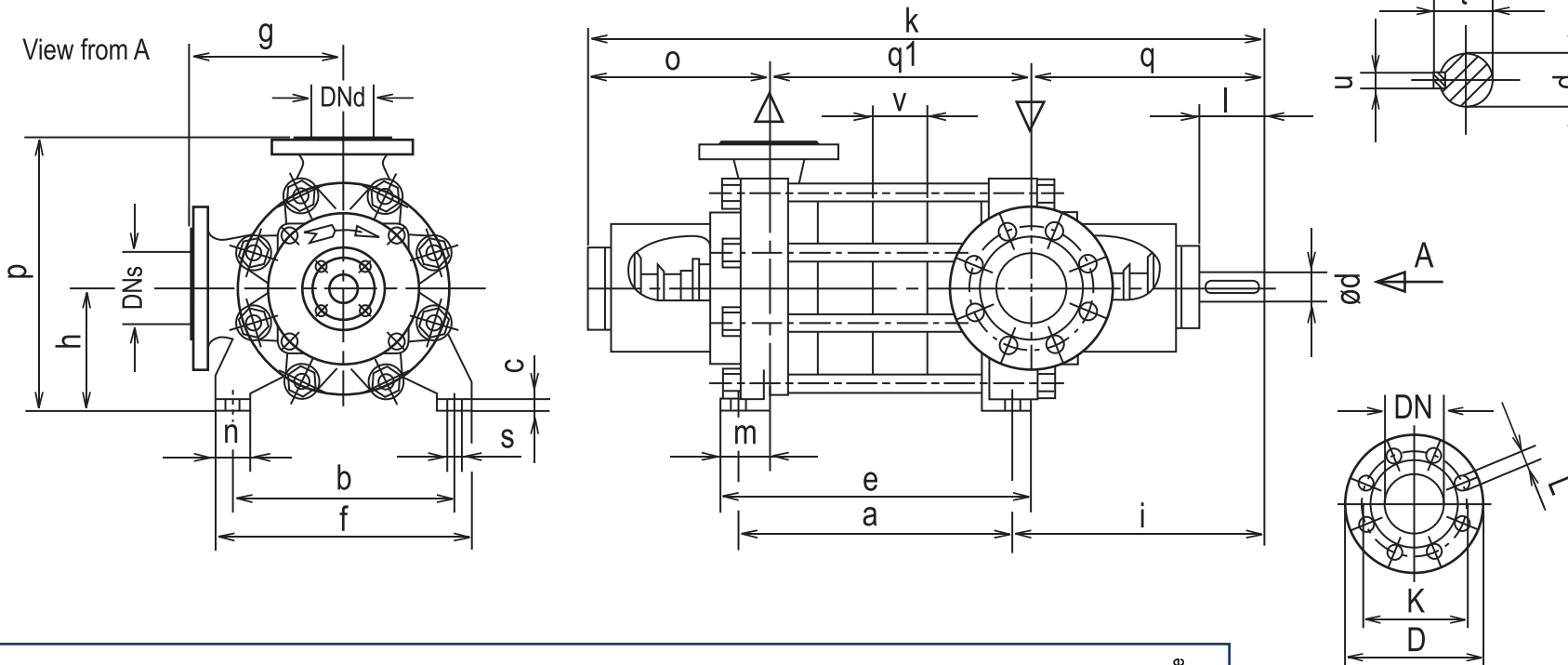
Shanley Pump  
& Equipment, Inc.



Direction of flange  
Viewed from - A -



Fitting Key DIN 6885



**MKH**  
Pump Model

Size	Dimensions																				Suction Flange	Discharge Flange
	DNs	DNd	b	c	d	f	g	h	i	l	m	n	o	p	q	s	t	u	v			
80	4.92	3.15	12.598	0.866	1.654	15.748	11.024	8.86	12.84	4.331	3.937	3.35	11.73	19.882	15.2	0.984	1.772	0.472	3.347	PN 16	PN 40	
100	5.9055	3.937	13.78	0.945	1.89	17.717	12.4	9.84	13.996	4.331	3.937	3.937	12.6	22.24	16.36	1.063	2.03	0.551	3.937	PN 16	PN 40	
125/125Q	5.9055	4.92	16.93	1.102	2.05	22.05	14.76	12.4	15.16	5.315	4.92	4.92	13.78	27.17	18.31	1.181	2.126	0.63	5.04	PN 16	PN 40	
No. of Stages	Pump Size - 80				Pump Size - 100				Pump Size - 125/125Q													
	a	e	k	q1	a	e	k	q1	a	e	k	q1										
2	9.8425	12.992	32.047	5.118	10.63	13.78	34.862	5.906	12.795	16.339	38.583	6.496										
3	13.189	16.339	35.394	8.465	14.5669	17.717	38.7992	9.8425	17.835	21.378	46.457	11.535										
4	16.5354	19.685	38.7402	11.811	18.504	21.654	42.7362	13.78	22.874	26.42	48.661	16.575										
5	19.882	23.032	42.087	15.158	22.441	25.591	46.6732	17.7165	27.9134	31.457	53.701	21.614										
6	23.228	26.378	45.433	18.504	26.378	29.528	50.61	21.654	32.953	36.496	58.74	26.654										
7	26.5748	29.724	48.78	21.85	30.315	33.465	54.55	25.591	37.9921	41.5354	63.78	31.693										
8	29.9213	33.071	52.126	25.197	34.252	37.402	58.484	29.578	43.0315	46.575	68.819	36.732										
9	33.2677	36.417	55.472	28.54	38.189	41.34	62.4213	33.465	48.071	51.612	73.858	41.772										
10	36.6142	39.764	58.82	31.89	42.126	45.276	66.3583	37.402														
	39.961	43.11	62.165	35.24																		

Flange Size				
Flanges PN 16 : DIN 2533				
DN	D	K	L	No.
4.92	9.8425	8.268	0.709	8
5.91	11.221	9.449	0.8661	8
Flanges PN 40 : DIN 2535				
DN	D	K	L	No.
3.1496	7.874	6.299	0.709	8
3.937	9.252	7.48	0.8661	8
4.9213	10.63	8.6614	1.0236	8
Inches				

**MKH**

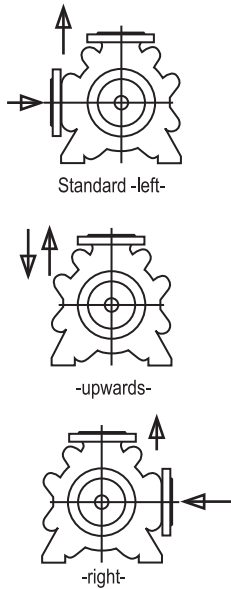
**80 - 125**

High Pressure Multistage Centrifugal Pump

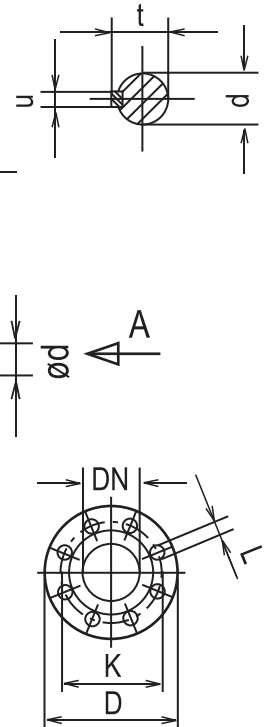
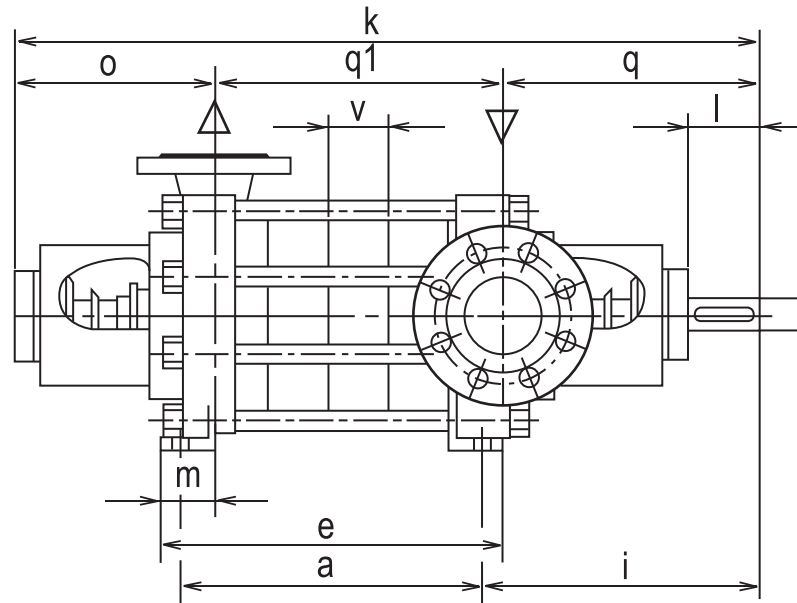
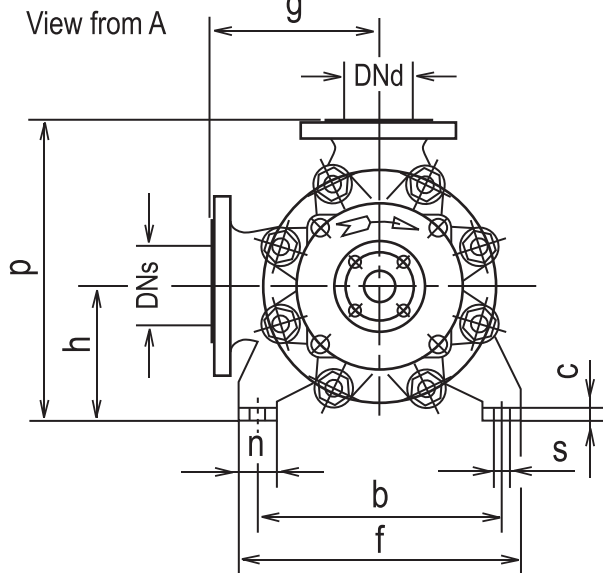
Shanley Pump  
& Equipment, Inc.



Direction of flange  
Viewed from -A-



Fitting Key DIN 6885



**MKH**  
Pump Model

**Dimensions**

Size	DNs	DNd	b	c	d	f	g	h	i	l	m	n	o	p	q	s	t	u	v	Suction Flange	Discharge Flange
150	7.874	5.906	20.966	1.181	2.165	26.38	17.72	14.764	16.142	5.512	5.906	5.512	15.158	32.48	19.882	1.299	2.323	0.63	5.709	PN 16	PN 40
200	9.8425	7.874	22.835	1.417	2.362	29.14	19.69	16.339	16.73	5.512	6.496	6.299	15.709	36.024	20.669	1.535	2.52	0.709	6.89	PN 16	PN 40
200Q	9.8425	7.874	22.835	1.417	2.559	29.14	19.69	16.339	16.73	5.512	6.496	6.299	15.709	36.024	20.669	1.535	2.72	0.709	6.89	PN 16	PN 40
250	11.811	9.843	25.197	1.654	2.756	32.284	21.65	17.717	18.31	6.693	7.874	7.086	17.284	39.37	23.032	1.654	2.93	0.787	7.68	PN 16	PN 40

**Flange Size**

Flanges PN 16 : DIN 2533					
DN	D	K	L	No.	
7.874	13.386	11.614	0.8661	12	
9.8425	15.945	13.976	1.0236	12	
11.811	18.11	16.142	1.0236	12	
Flanges PN 40 : DIN 2535					
DN	D	K	L	No.	
5.906	11.811	9.8425	1.0236	8	
7.847	14.764	12.598	1.1811	12	
9.8425	17.717	15.158	1.2992	12	

No. of Stages	Pump Size - 150				Pump Size - 200				Pump Size - 200Q				Pump Size - 250			
	a	e	k	q1	a	e	k	q1	a	e	k	q1	a	e	k	q1
1	15.55	19.88	43.11	8.071	18.11	23.23	46.61	10.24	18.11	23.23	46.61	10.24	21.65	27.95	52.52	12.21
2	21.26	25.56	48.82	13.78	25	30.12	53.51	17.13	25	30.12	53.51	17.13	29.33	35.63	60.2	19.88
3	26.97	31.3	54.53	19.49	31.89	37.01	60.4	24.02	31.89	37.01	60.4	24.02	37.01	43.31	67.87	27.56
4	32.68	37.01	60.24	25.2	38.78	43.9	67.28	30.91	38.78	43.9	67.28	30.91	44.69	50.98	75.55	35.24
5	38.39	42.72	65.95	30.91	45.67	50.79	74.17	37.8	45.67	50.79	74.17	37.8	52.36	58.66	83.23	42.91
6	44.09	48.43	71.65	36.61	52.56	57.68	81.06	44.69	52.56	57.68	81.06	44.69				
7	49.8	54.13	77.36	42.32												

Inches



**150 - 250**

High Pressure Multistage Centrifugal Pump

**Shanley Pump  
& Equipment, Inc.**

