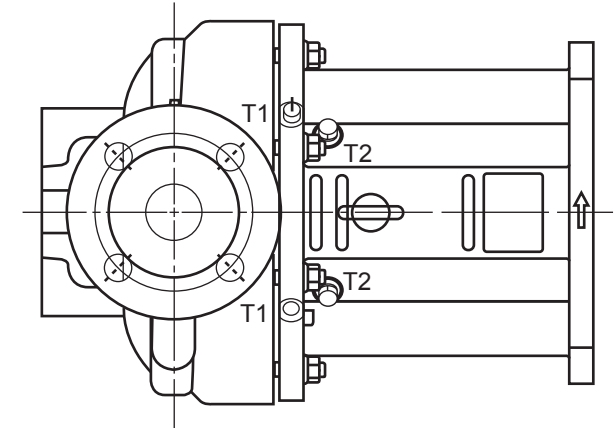
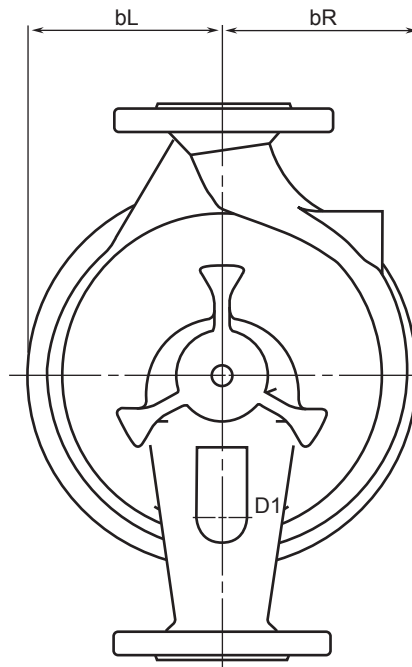
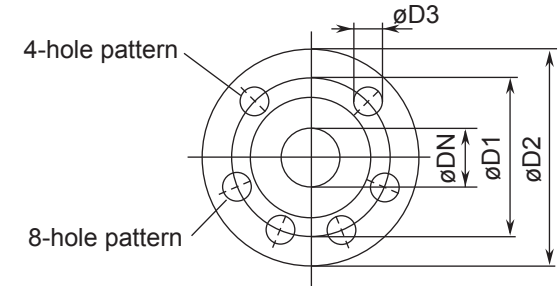


Volute casing (102) insulation only to this line



Flange dimensions EN 1092-2



Flange dimensions in acc.with DIN EN 1092-2

ØDN	ØD2	ØD1	t	ØD3	# Holes
1.26	5.51	3.94	.71	.75	4
1.57	5.91	4.33	.71		
1.97	6.50	4.92	.79		
2.56	7.28	5.71	.79		
3.15	7.87	6.30	.87	.95	8
3.94	8.66	7.09	.95		

Utility Connections

P1	Outlet pressure indicator connection (not drilled)	1/4 NPT
P2	Inlet pressure indicator connection (not drilled)	1/8 NPT
D1	Volute casing drain	3/8 NPT
T1	Temperature sensor PT 100 MK 110/135	1/4 NPT
T2	Temperature sensor PT 100 MK 75	1/4 NPT

TOE-MI Pump Model	Flanges		Dimensions of pump					Pull-Out x
	DNS	DND	a	bL	bR	h1	h2	
40-160	1.58	1.58	3.82	4.57	4.57	7.87	7.48	4.33
40-200	1.58	1.58	3.66	5.31	5.31	7.87	7.48	4.33
50-200	1.97	1.97	4.02	4.96	5.47	8.66	8.07	4.33
65-200	2.56	2.56	4.41	5.16	5.95	9.45	8.86	4.33

Inches

TOE-MI

Heat Transfer Pump

Heat transfer pumps with bearing bracket and mechanical seal
(all measurements are in inches)

Shanley Pump & Equipment, Inc.

