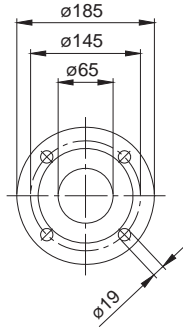
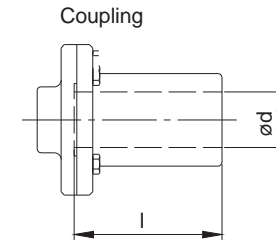
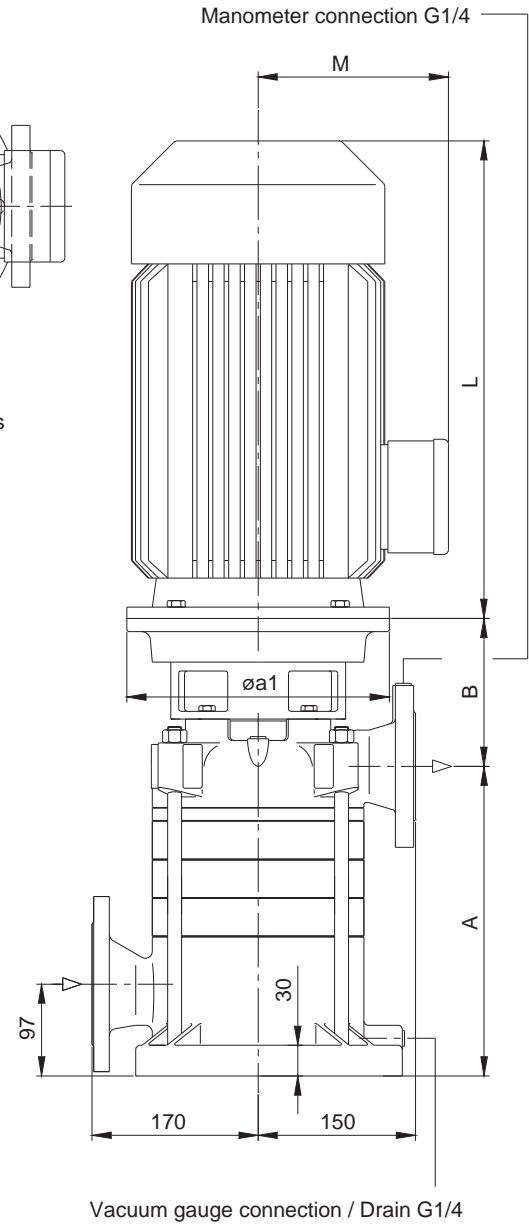
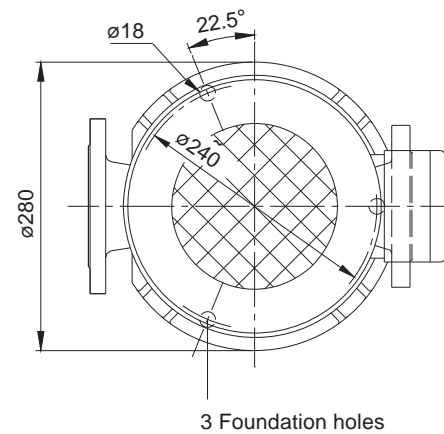
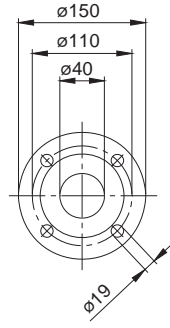


Suction flange DN 65
PN 16, DIN EN 1092-2



Outlet flange DN 40
PN 40, DIN EN 1092-2



VBU Pump Model appx. 2900 rpm.	Motor Power Output kW	Threephase Induction Motor			Pump		Motor frame size	Type of construction	Coupling		with Motor Fig. A	without Motor Fig. L
		≈L	≈M	a1	A	B			I	ød		
		IM...										
401 A	1.5	9.6	5.83	6.3	7.56	4.61	90 S	V18	2.44	.95	2.001	1.46
402 A	3.0	12.3	6.34	6.3	8.78	4.61	100 L	V18	2.44	1.1	2.56	1.65
403 A	4.0	13.2	6.89	6.3	9.96	4.61	112 M	V18	2.44	1.1	2.95	1.81
404 A	5.5	15.95	7.6	11.8	11.1	5.59	132 S	V1	3.43	1.5	4.13	2.32
405 A	7.5	15.95	7.6	11.8	12.3	5.59	132 S	V1	3.43	1.5	4.53	2.52
406 A	7.5	15.95	7.6	11.8	13.5	5.59	132 S	V1	3.43	1.5	4.69	2.68
407 A	11.0	20.35	9.8	13.8	14.7	6.57	160 M	V1	4.41	1.65	6.93	3.03
408 A	11.0	20.35	9.8	13.8	15.9	6.57	160 M	V1	4.41	1.65	7.13	3.23
409 A	11.0	20.35	9.8	13.8	17.1	6.57	160 M	V1	4.41	1.65	7.32	3.43
410 A	15.0	20.35	9.8	13.8	18.3	6.57	160 M	V1	4.41	1.65	7.84	3.62
401 B	2.2	10.6	5.83	6.3	7.64	4.61	90 L	V18	2.44	.95	2.13	1.46
402 B	5.5	15.9	7.6	11.8	8.94	5.59	132 S	V1	3.43	1.5	3.74	1.93
403 B	7.5	15.9	7.6	11.8	10.2	5.59	132 S	V1	3.43	1.5	4.13	2.13
404 B	11.0	20.4	9.8	13.8	11.5	6.57	160 M	V1	4.4	1.65	6.4	2.48
405 B	15.0	20.4	9.8	13.8	12.7	6.57	160 M	V1	4.4	1.65	6.89	2.68
406 B	15.0	20.4	9.8	13.8	13.9	6.57	160 M	V1	4.4	1.65	7.09	2.87
407 B	18.5	20.4	9.8	13.8	15.3	6.57	160 L	V1	4.4	1.65	7.7	3.03
408 B	18.5	20.4	9.8	13.8	16.5	6.57	160 L	V1	4.4	1.65	7.9	3.23
401 C	1.5	9.6	5.83	6.3	7.7	4.61	90 S	V18	2.44	.95	2.001	1.46
402 C	3.0	12.3	6.34	6.3	9.1	4.61	100 L	V18	2.44	1.1	2.56	1.65
403 C	4.0	13.1	6.89	6.3	10.4	4.61	112 M	V18	2.44	1.1	2.95	1.81
404 C	5.5	15.9	7.6	11.8	11.8	5.59	132 S	V1	3.43	1.5	4.13	2.32
405 C	7.5	15.9	7.6	11.8	13.1	5.59	132 S	V1	3.43	1.5	4.53	2.52
406 C	11.0	20.4	7.6	13.8	14.5	6.57	160 M	V1	4.41	1.65	6.77	2.87
407 C	11.0	20.4	9.8	13.8	15.8	6.57	160 M	V1	4.41	1.65	6.92	3.03
408 C	15.0	20.4	9.8	13.8	17.2	6.57	160 M	V1	4.41	1.65	7.87	3.23
409 C	15.0	20.4	9.8	13.8	18.5	6.57	160 M	V1	4.41	1.65	8.07	3.43

Inches

VBU

High-Pressure
Multi-Stage Centrifugal Pump

Motor: 60Hz
Attention: actual motor dimensions possible may differ from the drawing.
Subject to alteration! ANSI Companion flanges available upon request

Shanley Pump
& Equipment, Inc.

