

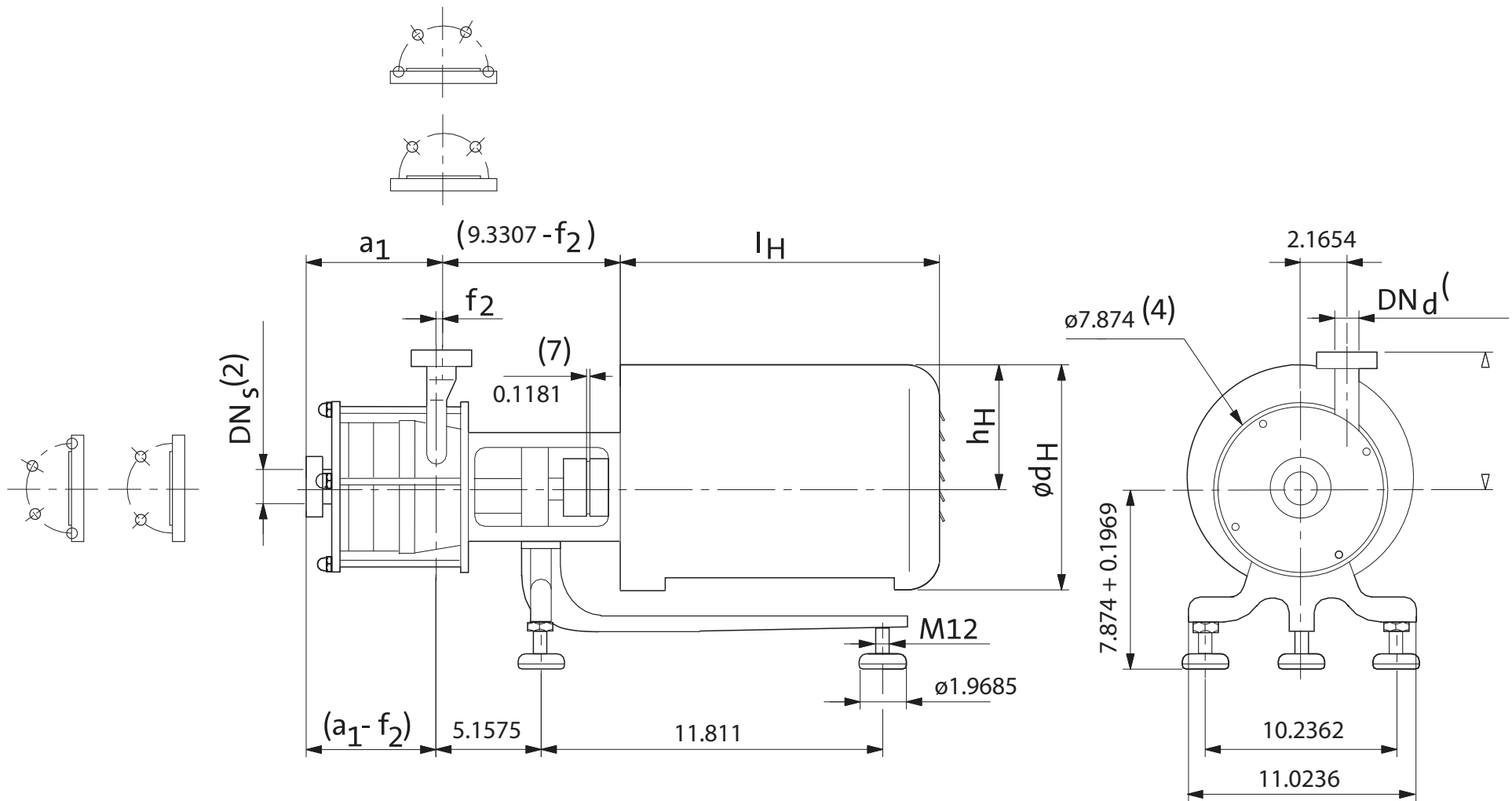
Contra I
Pump Model
 appx. 2900 rpm.

Contra

Contra I Adapta[®] on cast iron foot

**Shanley Pump
 & Equipment, Inc.**





Contra I
Pump Model
 appx. 2900 rpm.

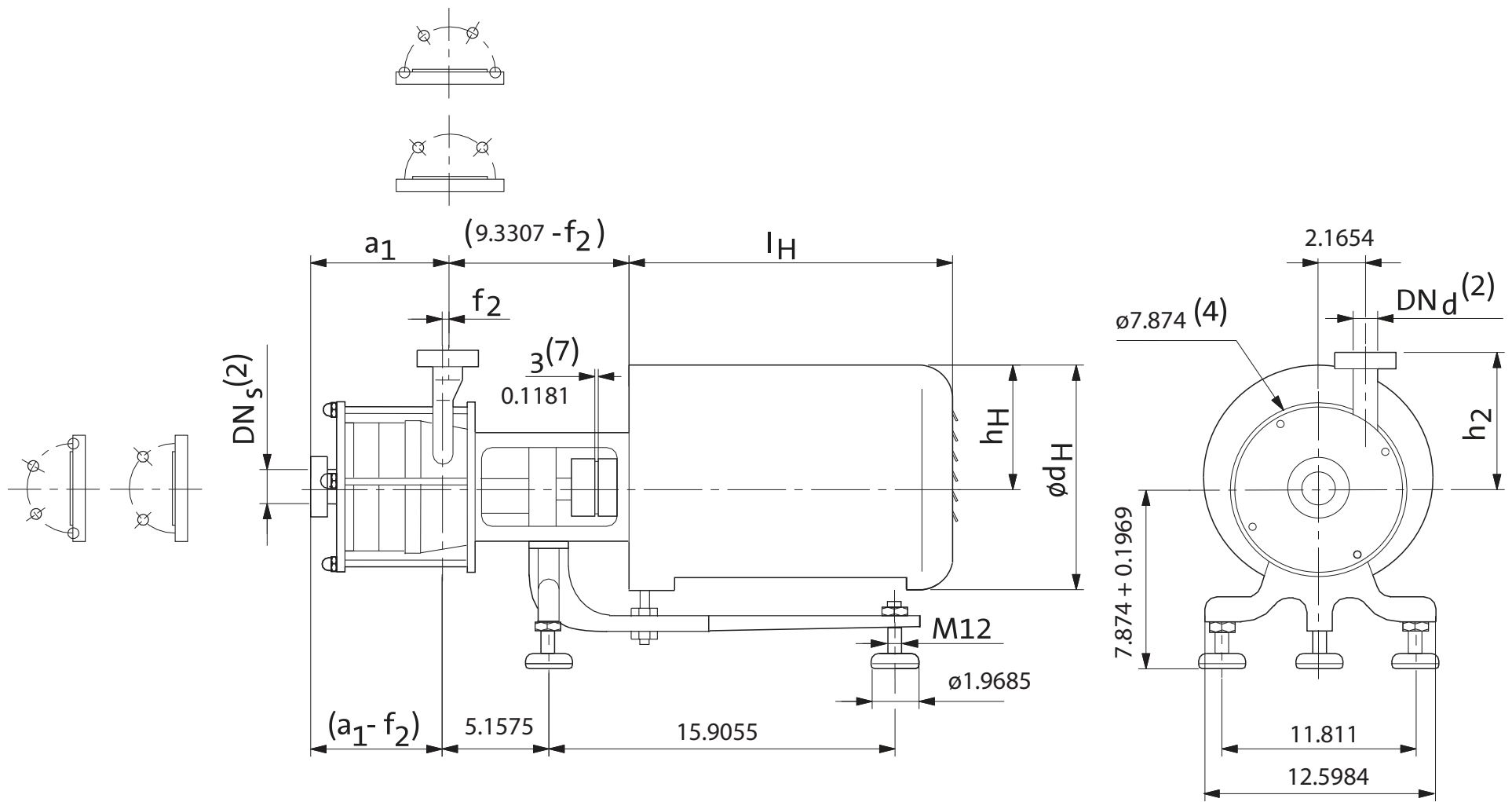
(frame size 80-90)

Contra

Contra I Adapta® SUPER on stainless steel combi foot

**Shanley Pump
 & Equipment, Inc.**





Contra I

Pump Model

appx. 2900 rpm.

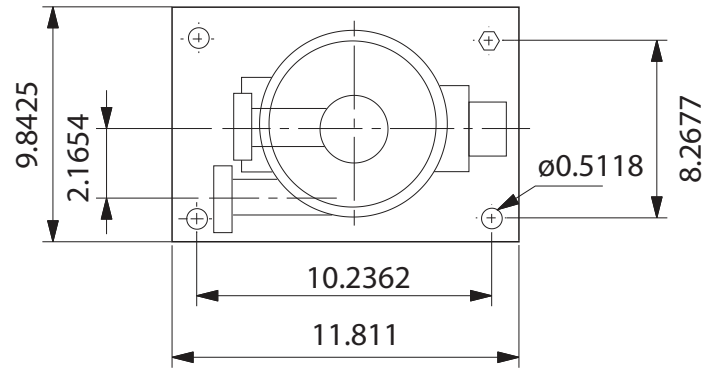
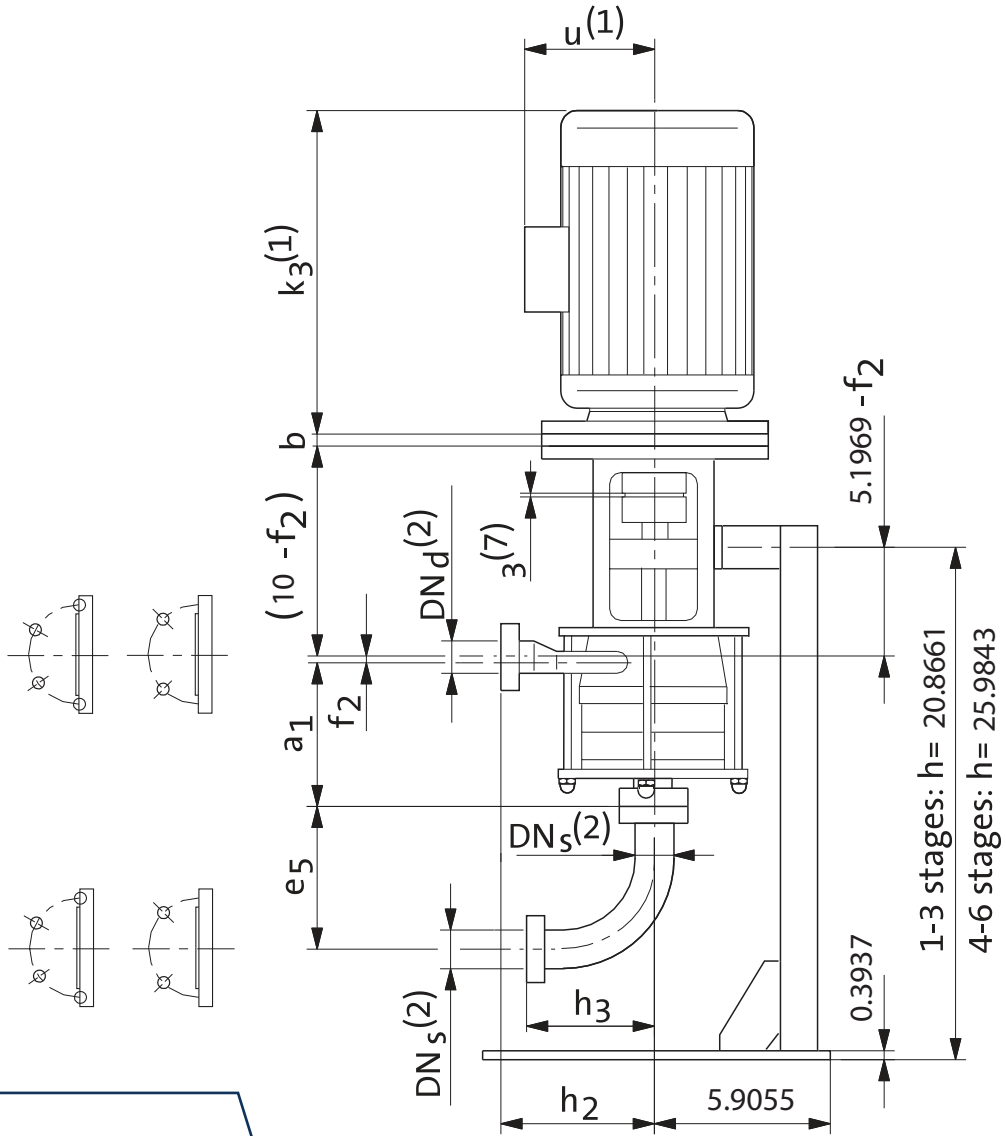
(frame size 100-132)

Contra

Contra I Adapta® SUPER on stainless steel combi-foot

**Shanley Pump
& Equipment, Inc.**





Contra I
Pump Model
 appx. 2900 rpm.

Contra

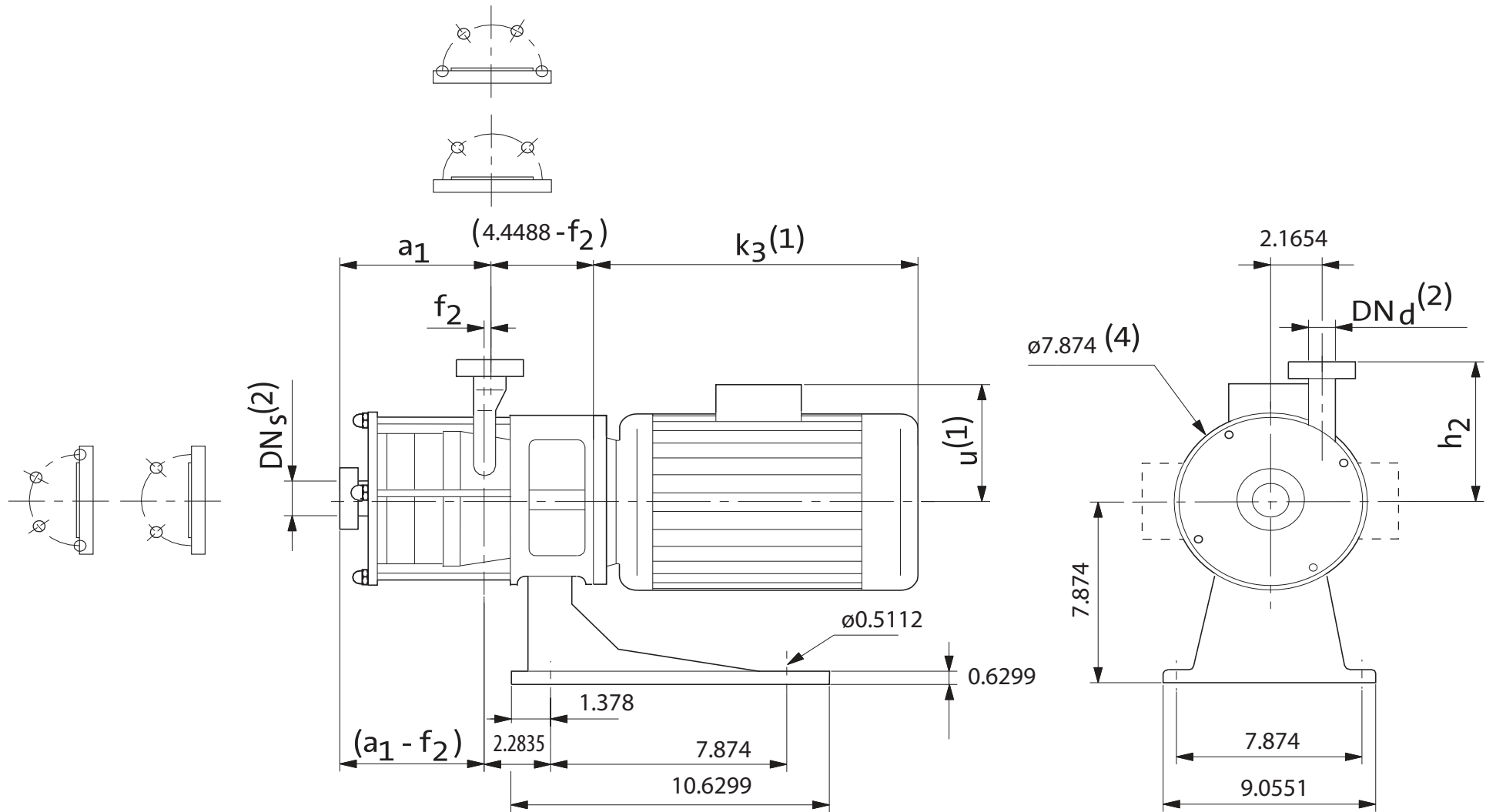
Contra I Adapta[®]-V on stainless steel pedestal with/without suction elbow

2525 S. Clearbrook Drive Arlington Heights, IL 60005 · P: (847) 439-9200 · F: (847) 439-9388 · www.shanleypump.com

For installing, removing and servicing the pump, lifting points should be foreseen directly above the pump and removable lengths incorporated into the suction line.

Shanley Pump
& Equipment, Inc.





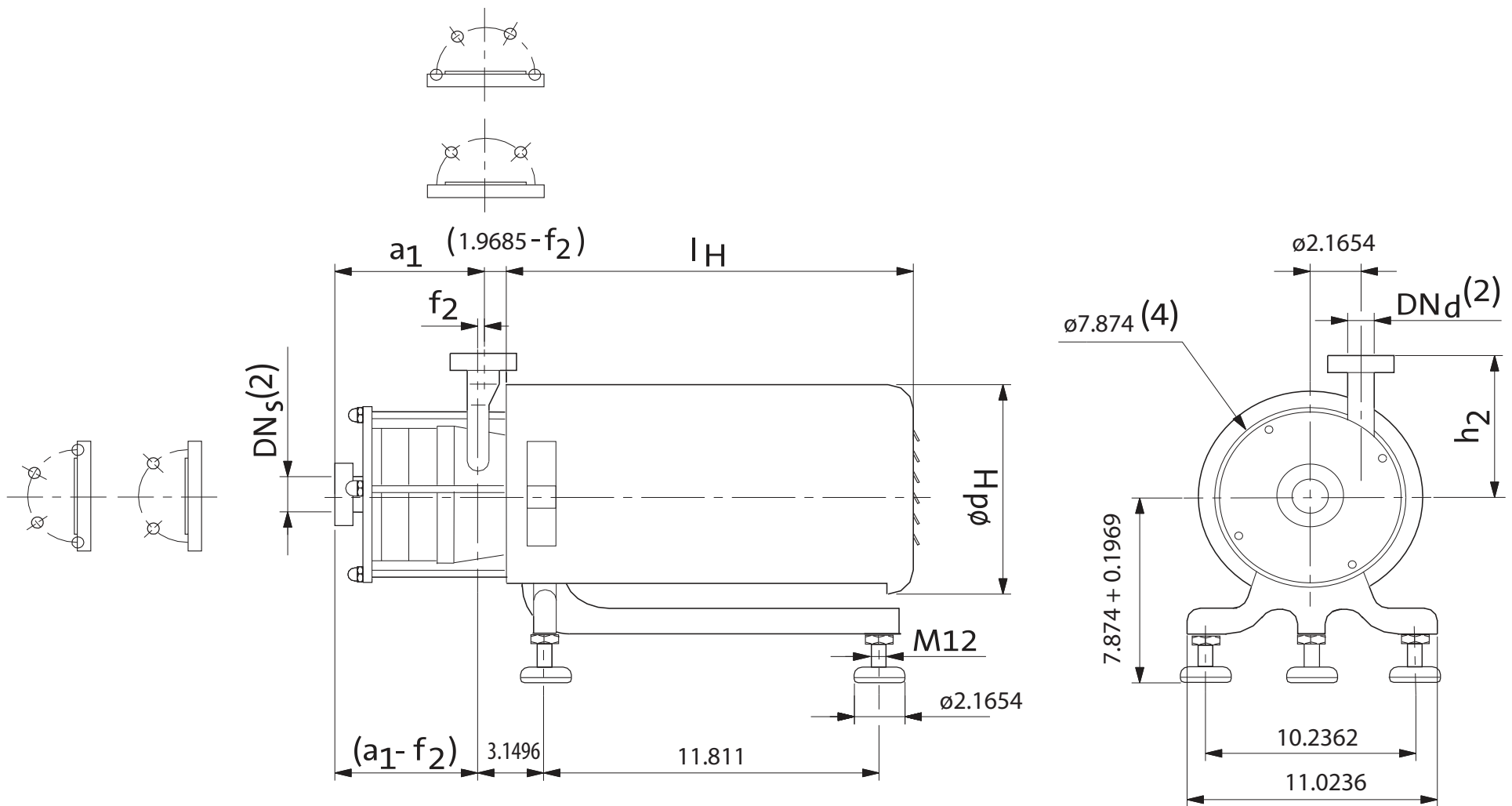
Contra I
Pump Model
 appx. 2900 rpm.

Contra

Contra I Bloc on cast iron foot

**Shanley Pump
 & Equipment, Inc.**





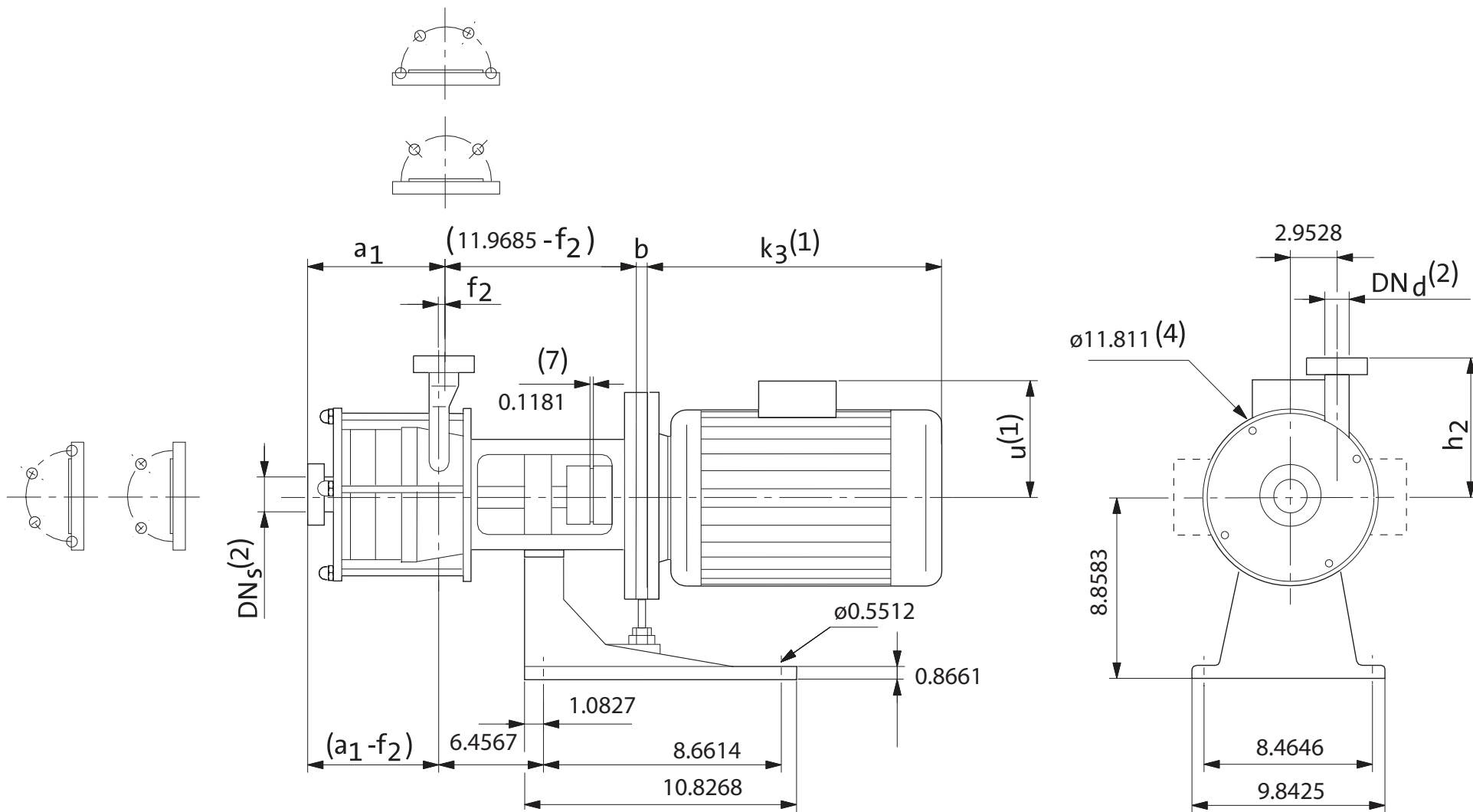
Contra I
Pump Model
 appx. 2900 rpm.

Contra

Contra I Bloc-SUPER on stainless steel combi-foot

**Shanley Pump
 & Equipment, Inc.**





Contra II

Pump Model

appx. 2900 rpm.

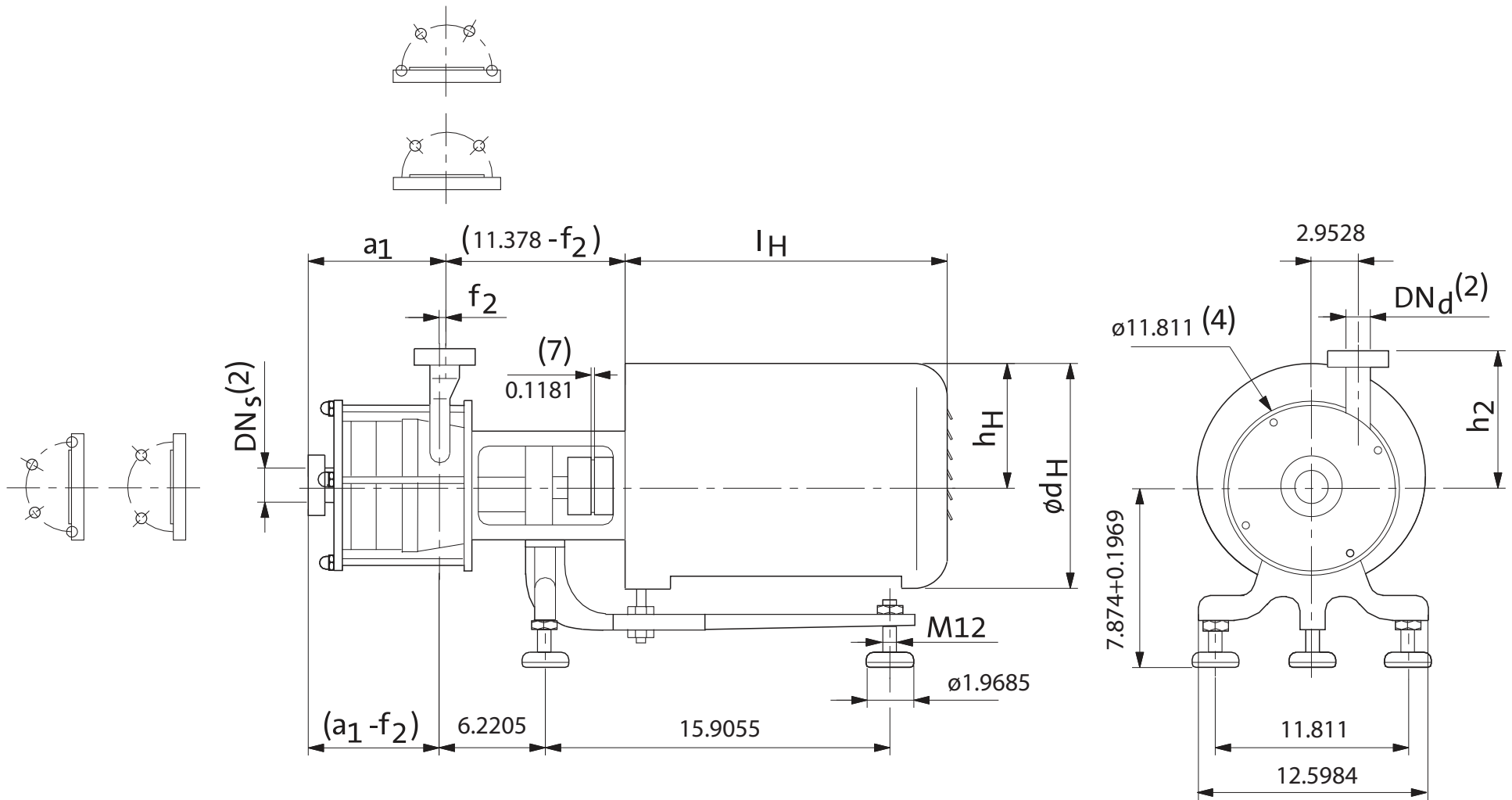
Contra

Contra II Adapta® on cast iron foot

2525 S. Clearbrook Drive Arlington Heights, IL 60005 · P: (847) 439-9200 · F: (847) 439-9388 · www.shanleypump.com

Shanley Pump
& Equipment, Inc.





Contra II
Pump Model
 appx. 2900 rpm.

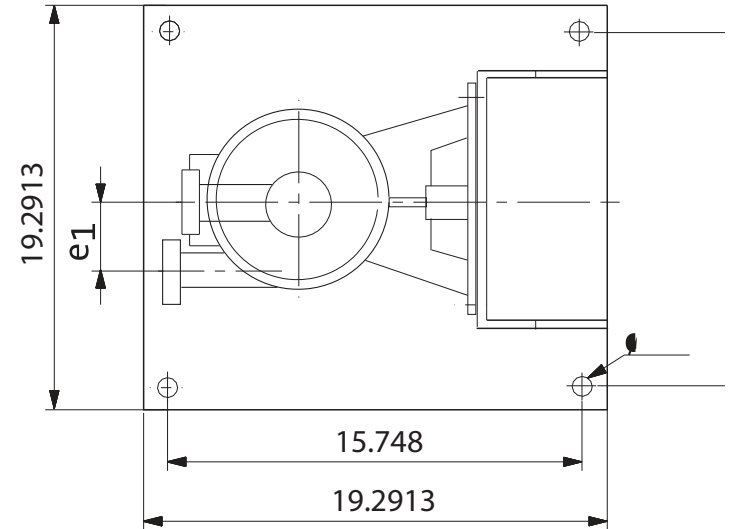
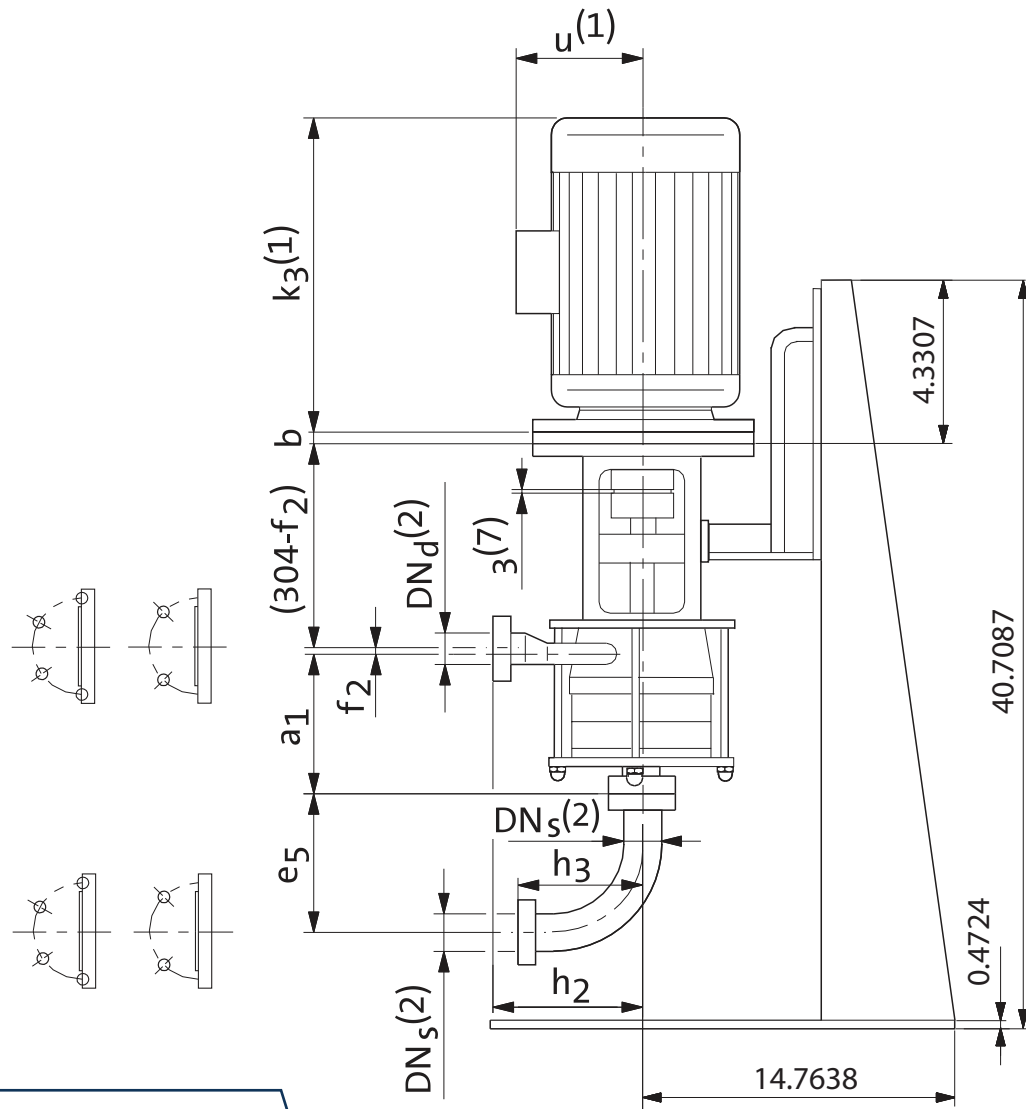
(frame size 100-160)

Contra

Contra II Adapta® SUPER on stainless steel combi-foot

**Shanley Pump
 & Equipment, Inc.**





Contra II

Pump Model

appx. 2900 rpm.

(frame size 100-160)

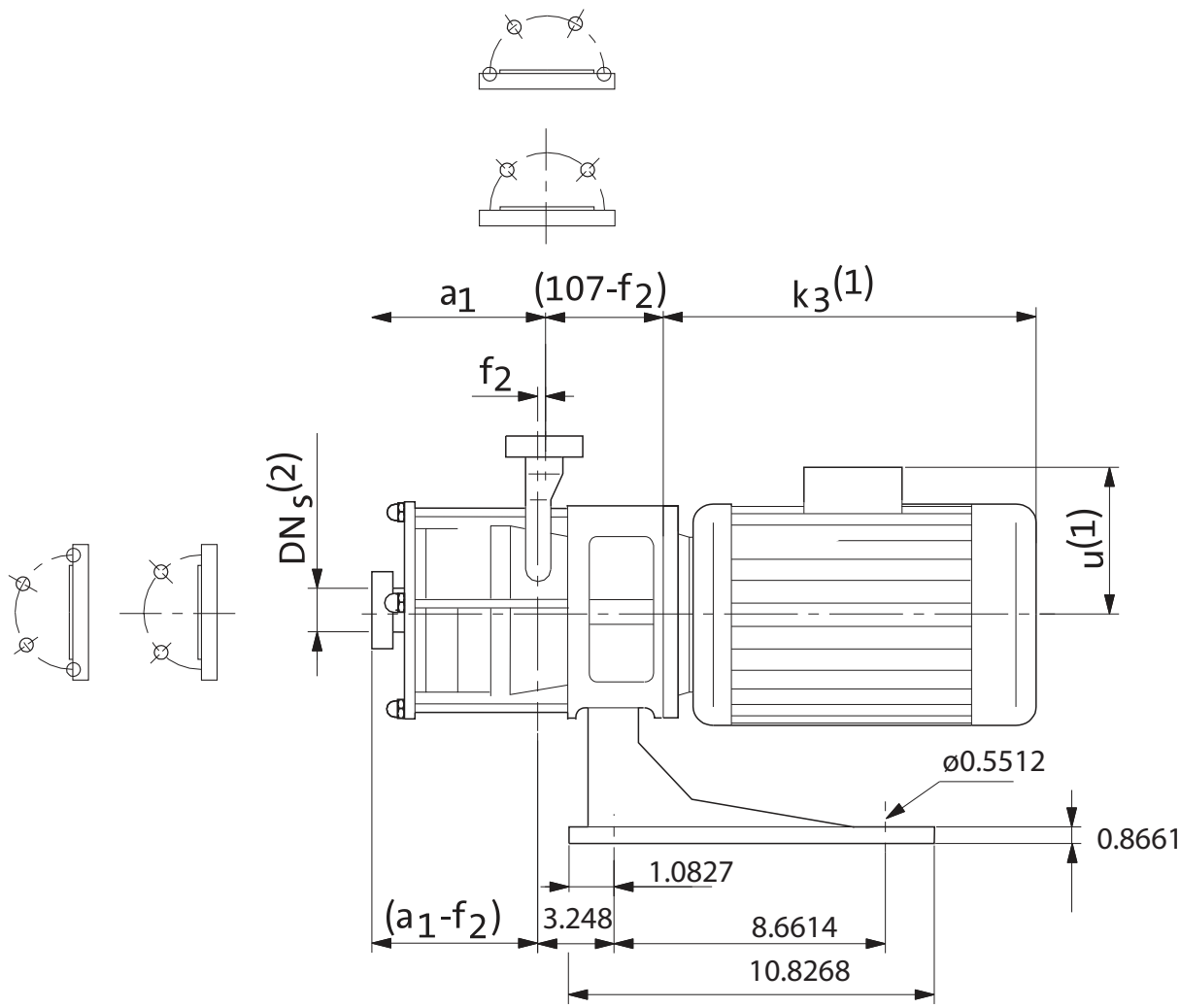
For installing, removing and servicing the pump, lifting points should be foreseen directly above the pump and removable lengths incorporated into the suction line. Discharge port is asymmetric; the pump can be drained completely

Contra

Contra II Adapta®-V on stainless steel pedestal with/without suction elbow

**Shanley Pump
& Equipment, Inc.**





Contra II
Pump Model
 appx. 2900 rpm.

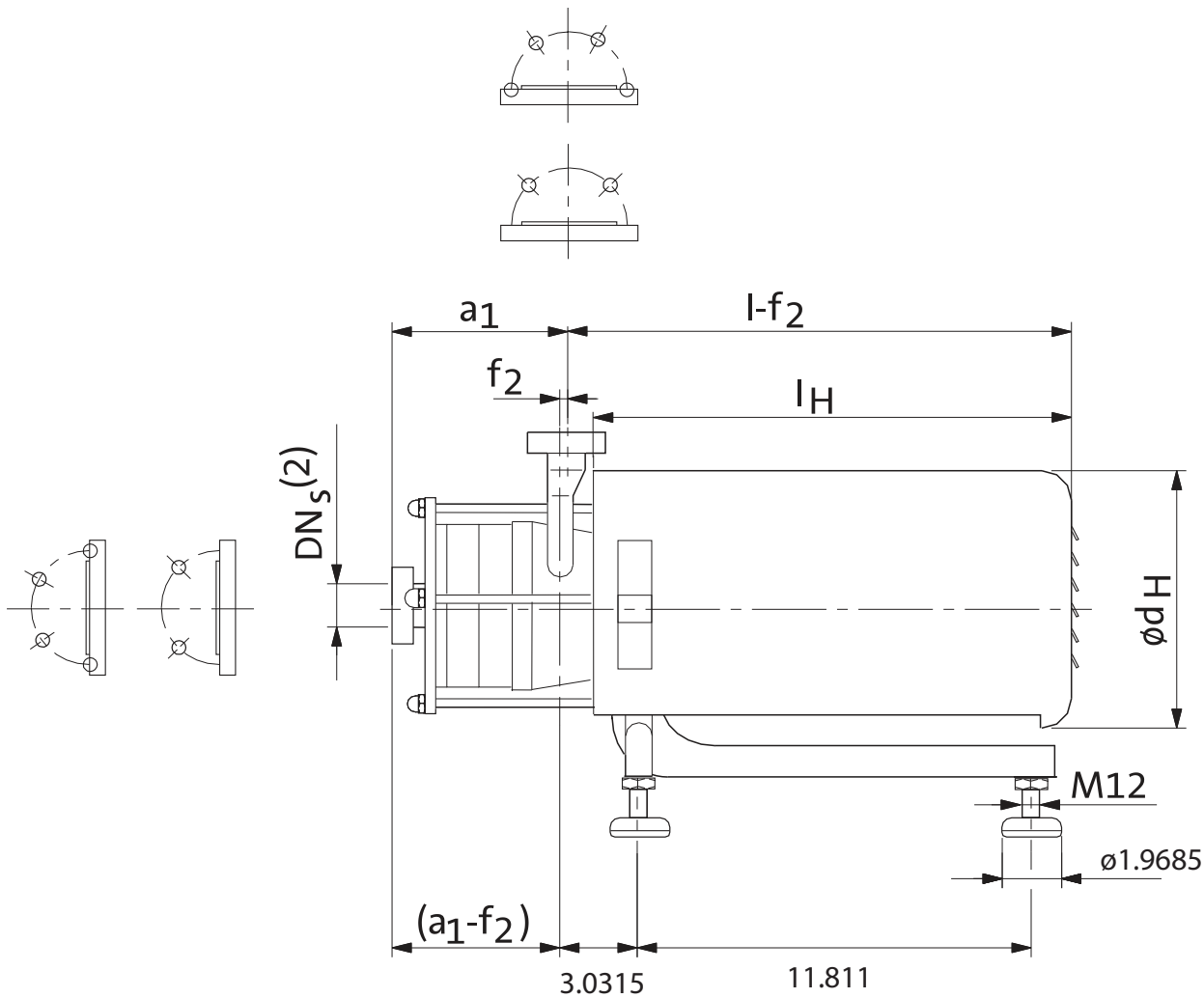
(frame size 90-132)

Contra

Contra II Bloc on cast iron foot

**Shanley Pump
 & Equipment, Inc.**





Contra II
Pump Model
 appx. 2900 rpm.

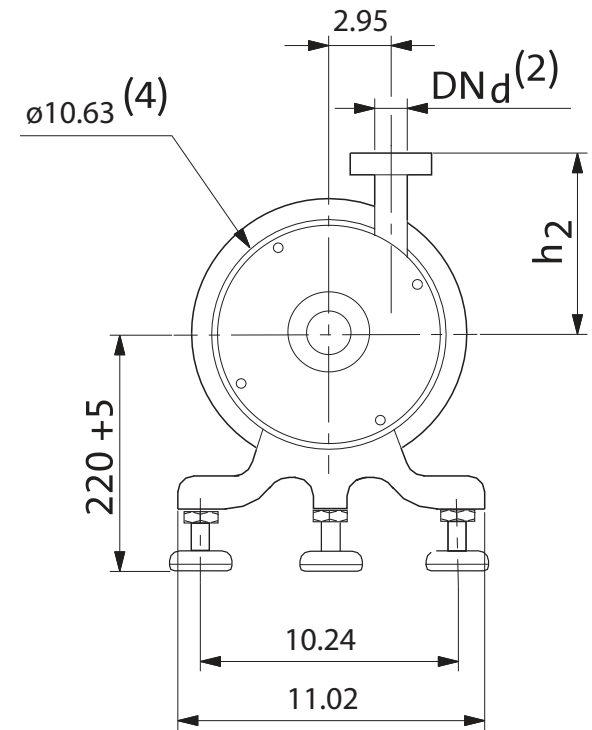
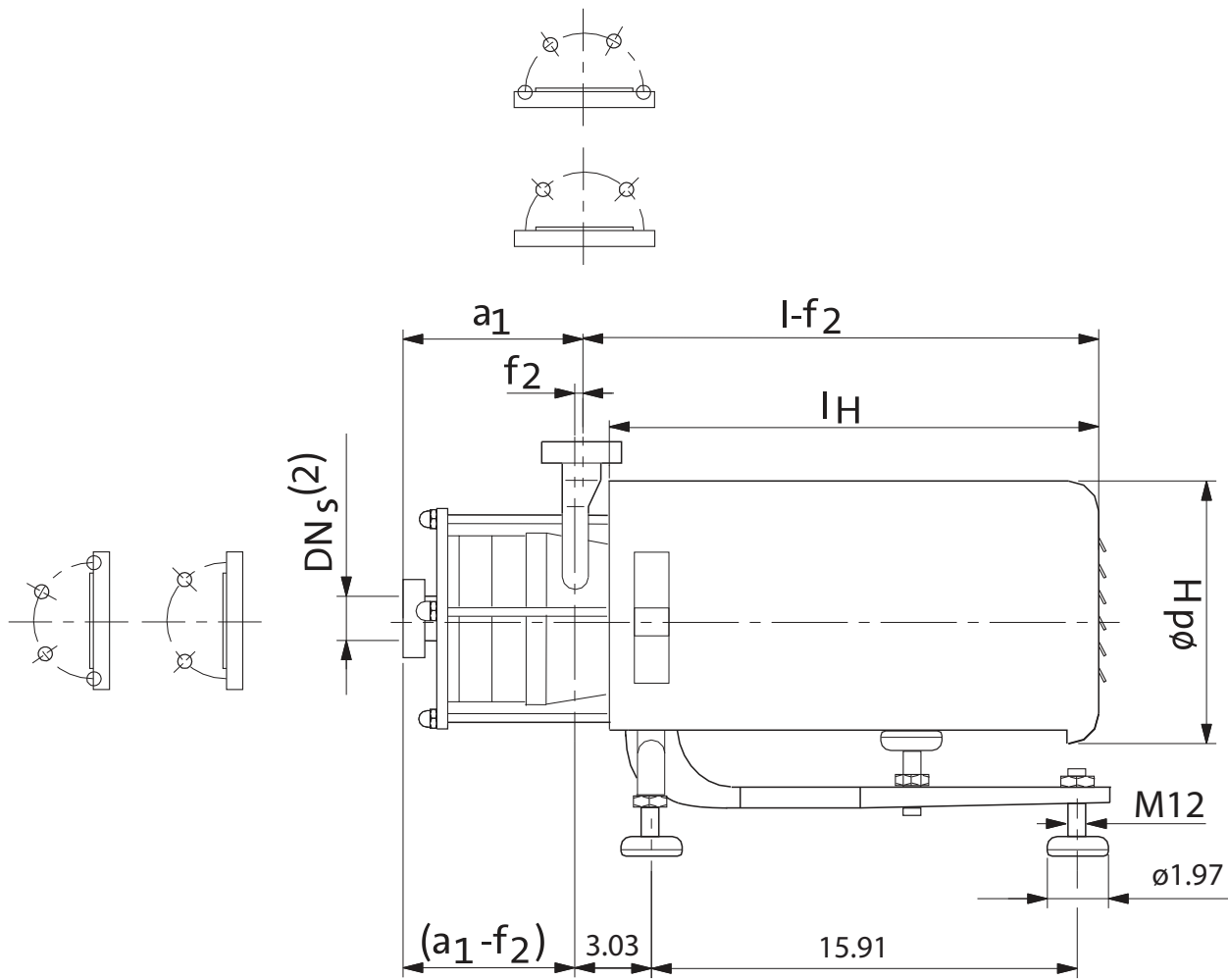
(frame size 90-132)

Contra

Contra II Bloc-SUPER on stainless steel combi-foot

**Shanley Pump
 & Equipment, Inc.**





Contra II
Pump Model
 appx. 2900 rpm.

(frame size 160)

Contra

Contra II Bloc-SUPER on stainless steel combi-foot

**Shanley Pump
 & Equipment, Inc.**



Contra I Connections	DIN	25/25	32/25	32/32	40/32	40/40	25/25	32/25	32/32	40/32	40/40	25/25	32/25	32/32	40/32	40/40	
	OD	1/1	1 1/4/1	1 1/4/1/4	1-1/2/1/4	1-1/2/1-1/2	1/1	1 1/4/1	1 1/4/1/4	1-1/2/1/4	1-1/2/1-1/2	1/1	1 1/4/1	1 1/4/1/4	1-1/2/1/4	1-1/2/1-1/2	
	1-Stage						2-Stage					3-Stage					
Threaded Connection DIN 11851 (3A0-3A1)	a1	4.61	4.7244	4.8425	4.8819	5	5.6299	5.748	5.8661	5.9055	6.0236	6.6535	6.7717	6.8898	6.9291	7.0472	
	f2	0.0394	0.0394	0.1575	0.1575	0.2756	0.0394	0.0394	0.1575	0.1575	0.2756	0.0394	0.0394	0.1575	0.1575	0.2756	
	h2	6.3	6.2992	6.2992	6.2992	6.2992	6.2992	6.2992	6.2992	6.2992	6.2992	6.2992	6.2992	6.2992	6.2992	6.2992	
	e5	4.17	4.2913	4.2913	4.7244	4.7244	4.17	4.2913	4.2913	4.7244	4.7244	4.1732	4.2913	4.2913	4.7244	4.7244	
	h3	4.685	4.8031	4.8031	5.2362	5.2362	4.685	4.8031	4.8031	5.2362	5.2362	4.685	4.8031	4.8031	5.2362	5.2362	
Aseptic Threaded Connection DIN 11864-1* (3A0-3A3)	a1	4.49	4.6457	4.7638	4.8031	4.9213	5.5118	5.6693	5.7874	5.8661	5.9449	6.5354	6.6926	6.811	6.8504	6.9685	
	f2	0.0394	0.0394	0.1575	0.1575	0.2756	0.0394	0.0394	0.1575	0.1575	0.2756	0.0394	0.0394	0.1575	0.1575	0.2756	
	h2	6.1811	6.1811	6.2205	6.2205	6.2205	6.1811	6.1811	6.2205	6.2205	6.2205	6.1811	6.1811	6.2205	6.2205	6.2205	
	e5	4.1732	4.1339	4.1339	4.252	4.525	4.1732	4.1339	4.1339	4.252	4.252	4.1732	4.1339	4.1339	4.252	4.252	
	h3	4.5669	4.7244	4.7244	5.1575	5.1575	4.5669	4.7244	4.7244	5.1575	5.1575	4.5669	4.7244	4.7244	5.1575	5.1575	
Aseptic Flange DIN 11864-2** (3A0-3A3)	a1	4.4685	4.4724	4.5866	4.5906	4.7047	5.4921	5.4921	5.6102	5.6102	5.7283	6.5157	6.5157	6.6339	6.6339	6.752	
	f2	0.0394	0.0394	0.1575	0.1575	0.2756	0.0394	0.0394	0.1575	0.1575	0.2756	0.0394	0.0394	0.1575	0.1575	0.2756	
	h2	6.1614	6.1614	6.0433	6.0433	6.0039	6.1614	6.1614	6.0433	6.0433	6.0433	6.1614	6.1614	6.0433	6.0433	6.0039	
	e5	4.4094	4.4094	4.4094	4.8031	4.8031	4.4094	4.4094	4.4094	4.8031	4.8031	4.4094	4.4094	4.4094	4.8031	4.8031	
	h3	4.5276	4.5276	4.5276	4.9213	4.9213	4.5276	4.5276	4.5276	4.9213	4.9213	4.5276	4.5276	4.9213	4.9213	4.9213	
Clamp to DIN 32676 (3A0-3A2)	a1	4.311	4.311	4.4291	4.4291	4.5472	5.3346	5.3346	5.4528	5.4528	5.509	6.3583	6.3583	6.4764	6.4764	6.5945	
	f2	0.0394	0.0394	0.1575	0.1575	0.2756	0.0394	0.0394	0.1575	0.1575	0.2756	0.0394	0.0394	0.1575	0.1575	0.2756	
	h2	6.0039	6.0039	5.8858	5.8858	5.8465	6.0039	6.0039	5.8858	5.8858	5.8465	6.0039	6.0039	5.8858	5.8858	5.8465	
	e5	4.4488	4.4488	4.4488	4.8425	4.8425	4.4488	4.4488	4.4488	4.8425	4.8425	4.4488	4.4488	4.4488	4.8425	4.8425	
	h3	4.3701	4.3701	4.3701	4.7638	4.7638	4.3701	4.3701	4.3701	4.7638	4.7638	4.3701	4.3701	4.3701	4.7638	4.7638	
Flange DIN EN 1092-1*** (DIN 2642) PN 10 (3A0)	a1	3.9764	3.9764	4.0945	4.0945	4.2126	5	5	5.1181	5.1181	5.2362	6.0236	6.0236	6.1417	6.1417	6.2598	
	f2	0.0394	0.0394	0.1575	0.1575	0.2756	0.0394	0.0394	0.1575	0.1575	0.2756	0.0394	0.0394	0.1575	0.1575	0.2756	
	h2	5.6693	5.6693	5.5512	5.5512	5.5118	5.6693	5.6693	5.5512	5.5512	5.5118	5.6693	5.6693	5.5512	5.5512	5.5118	
	e5	4.1339	4.1339	4.1339	4.5276	4.5276	4.1339	4.1339	4.1339	4.5276	4.5276	4.1339	4.1339	4.1339	4.5276	4.5276	
	h3	4.0551	4.0551	4.0551	4.4488	4.4488	4.0551	4.0551	4.0551	4.4488	4.4488	4.0551	4.0551	4.0551	4.4488	4.4488	
Clamp to Tri-Cover ITE-Tri-Clamp (3A0-3A1)	a1	4.5906	-	-	-	4.2913	5.6142	-	-	-	5.9449	6.6378	-	-	-	6.9685	
	f2	0.0394	-	-	-	0.2756	0.0394	-	-	-	0.2756	0.0394	-	-	-	0.2756	
	h2	6.2992	-	-	-	6.2205	6.2992	-	-	-	6.2205	6.2992	-	-	-	6.2205	
	e5	3.7402	-	-	-	4.8425	3.7402	-	-	-	4.8425	3.7402	-	-	-	4.8425	
	h3	3.6614	-	-	-	4.7638	3.6614	-	-	-	4.7638	3.6614	-	-	-	4.7638	
Weld neck flange DIN EN 1092-1 (DIN 2633) PN 16 (3A0)	a1	4.6063	4.7638	4.8819	5.2362	5.3543	5.6299	5.7874	5.9055	6.2598	6.378	6.6535	6.811	6.9291	7.2835	7.4016	
	f2	0.0394	0.0394	0.1575	0.1575	0.2756	0.0394	0.0394	0.1575	0.1575	0.2756	0.0394	0.0394	0.1575	0.1575	0.2756	
	h2	6.2992	6.2992	6.2992	6.6535	6.6535	6.2992	6.2992	6.2992	6.2992	6.2992	6.2292	6.2292	6.2992	6.2992	6.6535	
	e5	On Request						On Request					On Request				
	h3	On Request						On Request					On Request				
Threaded Connection DIN ISO 228 (male) (3A0)	a1	4.4488	4.4488	4.5669	4.7638	4.8819	5.4724	5.4724	5.5906	5.7874	5.9055	6.4961	6.4961	6.6142	6.811	6.9291	
	f2	0.0394	0.0394	0.1575	0.1575	0.2756	0.0394	0.0394	0.1575	0.1575	0.2756	0.0394	0.0394	0.1575	0.1575	0.2756	
	h2	6.1417	6.1417	6.0236	6.0236	6.1811	6.1417	6.1417	6.0236	6.0236	6.1811	6.1417	6.1417	6.0236	6.0236	6.1811	
	e5	On Request						On Request					On Request				
	h3	On Request						On Request					On Request				

Inches

Contra

Contra I Pipe Connections

Shanley Pump
& Equipment, Inc.



Contra II Connections	DIN	50/40	50/50	65/50	65/65	80/65	50/40	50/50	65/50	65/65	80/65	50/40	50/50	65/50	65/65	80/65	
	OD	2 1/1-1/2	2 / 2	2-1/2 / 2	2-1/2 / 2-1/2	2 / 3-1/2	2 1/1-1/2	2 / 2	2-1/2 / 2	2-1/2 / 2-1/2	2 / 3-1/2	2 1/1-1/2	2 / 2	2-1/2 / 2	2-1/2 / 2-1/2	2 / 3-1/2	
	1-Stage						2-Stage					3-Stage					
Threaded Connection DIN 11851 (3A0-3A1)	a1	4.8819	5	5.1969	5.5118	5.7087	6.1417	6.2598	6.4567	6.7717	6.9685	7.4016	7.5197	7.7165	8.0315	8.2283	
	f2	0	0.1181	0.1181	0.4331	0.4331	0	0.1181	0.1181	0.4331	0.4331	0	0.1181	0.1181	0.4331	0.4331	
	h2	8.0709	8.0709	8.0709	8.0709	8.0709	8.0709	8.0709	8.0709	8.0709	8.0709	8.0709	8.0709	8.0709	8.0709	8.0709	8.0709
	e5	5.315	5.315	5.315	5.315	6.8898	5.315	5.315	5.315	5.315	6.8898	5.315	5.315	5.7087	5.7087	6.8898	
	h3	5.8268	5.8268	6.2992	5.8268	7.4803	5.8268	5.8268	6.2992	6.2992	7.4803	5.8268	5.8268	6.2992	6.2992	7.4803	
Aseptic Threaded Connection DIN 11864-1* (3A0-3A3)	a1	4.7244	4.8425	5.0394	5.3543	5.5906	5.9843	6.1024	6.2992	6.6142	6.8504	7.2441	7.3622	7.9134	7.874	8.1102	
	f2	0	0.1181	0.1181	0.4331	0.4331	0	0.1181	0.1181	0.4331	0.4331	0	0.1181	0.1181	0.4331	0.4331	
	h2	7.9921	7.9134	7.9134	7.9134	7.9134	7.9921	7.9134	7.9134	7.9134	7.9134	7.9921	7.9134	7.9134	7.9134	7.9134	
	e5	5.3543	5.3543	5.748	5.748	6.8898	5.3543	5.3543	5.748	5.748	6.8898	5.3543	5.3543	5.748	5.748	6.8898	
	h3	5.6693	5.6693	6.1417	6.1417	7.3622	5.6693	5.6693	6.1417	6.1417	7.3622	5.6693	5.6693	6.1417	6.1417	7.3622	
Aseptic Flange DIN 11864-2** (3A0-3A3)	a1	4.4488	4.5669	4.6063	4.9213	5	5.7087	5.8268	5.5118	6.1811	6.2598	6.9685	7.0866	7.126	7.4409	7.5197	
	f2	0	0.1181	0.1181	0.4331	0.4331	0	0.1181	0.1181	0.4331	0.4331	0	0.1181	0.1181	0.4331	0.4331	
	h2	7.7953	7.7165	7.7165	7.5197	7.5197	7.7953	7.7165	7.7165	7.5197	7.5197	7.7953	7.7165	7.7165	7.5197	7.5197	
	e5	5.3346	5.3346	5.6102	5.6102	6.6732	5.3346	5.3346	5.6102	5.6102	6.6732	5.3346	5.3346	5.6102	5.6102	6.6732	
	h3	5.4528	5.4528	5.7283	5.7283	6.7913	5.4528	5.4528	5.7283	5.7283	6.7913	5.4528	5.4528	5.7283	5.7283	6.7913	
Clamp to DIN 32676 (3A0-3A2)	a1	4.3307	4.4488	4.7244	5.0394	5.0394	5.5906	5.7087	5.9843	6.2992	6.2992	6.8504	6.9685	7.2441	7.7953	7.7953	
	f2	0	0.1181	0.1181	0.4331	0.4331	0	0.1181	0.1181	0.4331	0.4331	0	0.1181	0.1181	0.4331	0.4331	
	h2	7.6378	7.5591	7.5991	7.5984	7.5984	7.6378	7.5591	7.5984	7.5984	7.5984	7.6378	7.5591	7.5591	7.5984	7.5984	
	e5	5.374	5.374	5.9055	5.9055	6.8898	5.374	5.374	5.9055	5.9055	6.8898	5.374	5.374	5.9055	5.9055	6.8898	
	h3	5.2953	5.2953	5.8268	5.8268	6.811	5.2953	5.2953	5.8268	5.8268	6.811	5.2953	5.2953	5.8268	5.8268	6.811	
Flange DIN EN 1092-1*** (DIN 2642) PN 10 (3A0)	a1	4.0157	4.1339	4.5276	4.8425	4.8031	5.2756	5.3937	5.7874	6.1024	6.063	6.5354	6.6535	7.0472	7.3622	7.3228	
	f2	0	0.1181	0.1881	0.4331	0.4331	0	0.1181	0.1181	0.4331	0.4331	0	0.1181	0.0394	0.4331	0.4331	
	h2	7.2835	7.2047	7.2047	7.4016	7.4016	7.2835	7.2047	7.2047	7.4016	7.4016	7.2835	7.2047	4.9606	7.4016	7.4016	
	e5	5.0394	5.0394	5.7087	5.7087	6.6929	5.0394	5.0394	5.7087	5.7087	6.6929	5.0394	5.0394	5.7087	5.7087	6.6929	
	h3	4.9606	4.9606	5.6299	5.6299	6.6142	4.9606	4.9606	5.6299	5.6299	6.6142	4.9606	4.9606	5.6693	5.6693	6.6142	
Clamp to Tri-Cover ITE-Tri-Clamp (3A0-3A1)	a1	5.748	5.8661	-	-	-	7.0079	7.126	-	-	-	8.2677	83858	-	-	-	
	f2	0	0.1181	0.1181	0.4331	0.4331	0	0.1181	0.1181	0.4331	0.4331	0	0.1181	0.1181	0.4331	0.4331	
	h2	7.9134	7.8346	7.8346	7.6378	7.6378	7.9134	7.8346	7.8346	7.6378	7.6378	7.9134	7.8346	7.8346	7.6378	7.6378	
	e5	On Request						On Request						On Request			
	h3	On Request						On Request						On Request			
Weld neck flange DIN EN 1092-1 (DIN 2633) PN 16 (3A0)	a1	5.2756	5.3937	5.3937	5.7087	-	6.5354	6.6535	6.6535	6.9685	-	7.7953	7.9134	7.9134	8.2283	-	
	f2	0	0.1181	0.1181	0.4331	-	0	0.1181	0.1181	0.4331	-	0	0.1181	0.1181	0.4331	-	
	h2	8.4252	8.4646	8.4646	8.2677	-	8.4252	8.4646	8.4646	8.2677	-	8.4252	8.4646	8.4646	8.2677	-	
	e5	On Request						On Request						On Request			
	h3	On Request						On Request						On Request			
AVP-FG1 Threaded Connection DIN ISO 228 (male) (3A0)	a1	4.4488	4.5669	4.5669	4.8819	-	5.7087	5.8268	5.8268	6.1417	-	6.9685	7.0866	7.0866	7.4016	-	
	f2	0	0.1181	0.1181	0.4331	-	0	0.1181	0.1181	0.4331	-	0	0.1181	0.1181	0.4331	-	
	h2	-	7.6378	7.6378	7.4409	-	-	7.6378	7.6378	7.4409	-	-	7.6378	7.6378	7.4409	-	
	e5	On Request						On Request						On Request			
	h3	On Request						On Request						On Request			

Inches

Contra

Contra II Pipe Connections

**Shanley Pump
& Equipment, Inc.**



Contra I Connections	DIN	25/25	32/25	32/32	40/32	40/40	25/25	32/25	32/32	40/32	40/40	25/25	32/25	32/32	40/32	40/40	
	OD	1/1	1 1/4/1	1 1/4/1/4	1-1/2/1/4	1-1/2/1-1/2	1/1	1 1/4/1	1 1/4/1/4	1-1/2/1/4	1-1/2/1-1/2	1/1	1 1/4/1	1 1/4/1/4	1-1/2/1/4	1-1/2/1-1/2	
	4-Stage						5-Stage					6-Stage					
Threaded Connection DIN 11851 (3A0-3A1)	a1	7.6772	7.7953	7.9134	7.9528	8.0709	8.7008	8.8189	8.937	8.9764	9.0945	9.7244	9.8425	9.9606	10	10.1181	
	f2	0.0394	0.0394	0.1575	0.1575	0.2756	0.0394	0.0394	0.1575	0.1575	0.2756	0.0394	0.0394	0.1575	0.1575	0.2756	
	h2	6.2992	6.2992	6.2992	6.2992	6.2992	6.2992	6.2992	6.2992	6.2992	6.2992	6.2992	6.2992	6.2992	6.2992	6.2992	
	e5	4.1732	4.2913	4.2913	4.7244	4.7244	4.1732	4.2913	4.2913	4.7244	4.7244	4.1732	4.2913	4.2913	4.7244	4.7244	
	h3	4.685	4.8031	4.8031	5.2362	5.2362	5.2362	4.8031	4.8031	5.2362	5.2362	5.2362	4.8031	4.8031	5.2362	5.2362	
Aseptic Threaded Connection DIN 11864-1* (3A0-3A3)	a1	7.5591	7.7165	7.8346	7.9134	7.9921	8.5827	8.7402	8.8583	8.8976	9.0157	9.6063	9.7638	9.8819	9.9606	10.0394	
	f2	0.0394	0.0394	0.1575	0.1575	0.2756	0.0394	0.0394	0.1575	0.1575	0.2756	0.0394	0.0394	0.1575	0.1575	0.2756	
	h2	6.1811	6.1811	6.2205	6.2205	6.2205	6.1811	6.1811	6.2205	6.2205	6.2205	6.1811	6.1811	6.2205	6.2005	6.2005	
	e5	4.1832	4.1339	6.2205	4.252	4.252	4.1732	4.1339	4.1339	4.252	4.525	4.1339	4.1339	4.1339	4.525	4.525	
	h3	4.5669	4.7244	4.7244	5.1575	5.1575	4.5669	4.7244	4.7244	5.1575	5.1575	4.5669	4.7244	4.7244	5.1575	5.1575	
Aseptic Flange DIN 11864-2** (3A0-3A3)	a1	7.5394	7.5394	7.6575	7.6575	7.7756	8.563	8.563	8.6811	8.6811	8.7992	9.5866	9.5866	9.7047	9.7047	9.8228	
	f2	0.0394	0.0394	0.1575	0.1575	0.2756	0.0394	0.0394	0.1575	0.1575	.02756	0.0394	0.0394	0.1575	0.1575	0.2756	
	h2	6.1614	6.1614	6.0433	6.0433	6.0039	6.1614	6.1614	6.0433	6.0433	6.0039	6.1614	6.1614	6.0433	6.0433	6.0039	
	e5	4.4094	4.4094	4.4094	4.8031	4.8031	4.4094	4.4094	4.8031	4.8031	4.8031	4.4094	4.4094	4.4094	4.8031	4.8031	
	h3	4.5276	4.5276	4.5276	4.9213	4.9213	4.5276	4.5276	4.9213	4.9213	4.9213	4.5276	4.5276	4.5276	4.9213	4.9213	
Clamp to DIN 32676 (3A0-3A2)	a1	7.3819	7.3819	7.5	7.5	7.6181	8.4055	8.4055	8.5236	8.5236	8.6417	9.4291	9.4291	9.5472	9.5472	9.6654	
	f2	0.0394	0.0394	0.1575	0.1575	0.2756	0.0394	0.0394	0.1575	0.1575	0.2756	0.0394	0.0394	0.1575	0.1575	0.2756	
	h2	6.0039	6.0039	5.8858	5.8858	5.8465	6.0039	6.0039	5.8858	5.8858	5.8465	6.0039	6.0039	5.8858	5.8858	5.8465	
	e5	4.4488	4.4488	4.4488	4.8425	4.8425	4.4488	4.4488	4.8425	4.8425	4.8425	4.4488	4.4488	4.8425	4.8425	4.8425	
	h3	4.3701	4.3701	4.3701	4.7638	4.7638	4.3701	4.3701	4.7638	4.7638	4.7638	4.3701	4.3701	4.7638	4.7638	4.7638	
Flange DIN EN 1092-1*** (DIN 2642) PN 10 (3A0)	a1	7.0472	7.0472	7.1654	7.1654	7.2835	8.0709	8.0709	8.2283	8.2283	8.3071	9.0945	9.0945	9.2126	9.2126	9.3307	
	f2	0.0394	0.0394	0.1575	0.1575	0.2756	0.0394	0.0394	0.1575	0.1575	0.2756	0.0394	0.0394	0.1575	0.1575	0.2756	
	h2	5.6693	5.6693	5.5512	5.5512	5.5118	5.6693	5.6693	5.5512	5.5512	5.5118	5.6693	5.6693	5.5512	5.5512	5.5118	
	e5	4.1339	4.1339	4.1339	4.5276	4.5276	4.1339	4.1339	4.1339	4.5276	4.5276	4.1339	4.1339	4.5276	4.5276	4.5276	
	h3	4.0551	4.0551	4.0551	4.4488	4.4488	4.0551	4.0551	4.0551	4.4488	4.4488	4.0551	4.0551	4.4488	4.4488	4.4488	
Clamp to Tri-Cover ITE-Tri-Clamp (3A0-3A1)	a1	7.6614	-	-	-	7.9921	8.685	-	-	-	9.0157	9.7047	-	-	-	10.0394	
	f2	0.0394	-	-	-	0.2756	0.0394	-	-	-	0.2756	0.0394	-	-	-	0.2756	
	h2	6.2992	-	-	-	6.2205	6.2992	-	-	-	6.2205	6.2992	-	-	-	6.2205	
	e5	3.7402	-	-	-	4.8425	3.7402	-	-	-	4.8425	3.7402	-	-	-	4.8425	
	h3	3.6614	-	-	-	4.7638	3.6614	-	-	-	4.7638	3.6614	-	-	-	4.7638	
Weld neck flange DIN EN 1092-1 (DIN 2633) PN 16 (3A0)	a1	7.6772	7.8346	7.9528	8.3071	8.4252	8.7008	8.8583	8.9764	9.3307	9.4488	9.7244	9.8819	10	10.3543	10.4724	
	f2	0.0394	0.0394	0.1575	0.1575	0.2756	0.0394	0.0394	0.1575	0.1575	0.2756	0.0394	0.0394	0.1575	0.1575	0.2756	
	h2	6.2992	6.2992	6.2992	6.2992	6.6535	6.2992	6.2992	6.2992	6.2992	6.2992	6.2992	6.2992	6.2992	6.2992	6.6535	
	e5	On Request						On Request					On Request				
	h3	On Request						On Request					On Request				
Threaded Connection DIN ISO 228 (male) (3A0)	a1	7.5197	7.5197	7.6378	7.8346	7.9528	8.5433	8.5433	8.6614	8.8583	8.9764	9.5669	9.5669	9.685	9.8819	10	
	f2	0.0394	0.0394	0.1575	0.1575	0.2756	0.0394	0.0394	0.1575	0.1575	0.2756	0.0394	0.0394	0.1575	0.1575	0.2756	
	h2	6.1417	6.1417	6.0236	6.0236	6.1811	6.1417	6.1417	6.0236	6.0236	6.1811	6.1417	6.1417	6.0236	6.0236	6.1811	
	e5	On Request						On Request					On Request				
	h3	On Request						On Request					On Request				

Inches

Contra

Contra I Pipe Connections

**Shanley Pump
& Equipment, Inc.**



Contra II Connections	DIN	50/40	50/50	65/50	65/65	80/65	50/40	50/50	65/50	65/65	80/65
	OD	2 / 1-1/2	2 / 2	2-1/2 / 2	2-1/2 / 2-1/2	2 / 3-1/2	2 / 1-1/2	2 / 2	2-1/2 / 2	2-1/2 / 2-1/2	2 / 3-1/2
4-Stage						5-Stage					
Threaded Connection DIN 11851 (3A0-3A1)	a1	8.6614	8.7795	8.9764	9.2913	9.4882	9.9213	10.0394	10.2362	10.5512	10.748
	f2	0	0.1181	0.1181	0.4331	0.4331	0	0.1181	0.1181	0.4331	0.4331
	h2	8.0709	8.0709	8.0709	8.0709	8.0709	8.0709	8.0709	8.0709	8.0709	8.0709
	e5	5.315	5.315	5.7087	5.7087	6.8898	5.2756	5.2756	5.7087	5.7087	6.8898
	h3	5.8268	5.8268	6.2992	6.2992	7.4803	5.8268	5.8268	6.2992	6.2992	7.4803
Aseptic Threaded Connection DIN 11864-1* (3A0-3A3)	a1	8.5039	8.622	8.8189	9.1339	9.3701	9.7638	9.8819	10.0787	10.3937	10.6299
	f2	0	0.1181	0.1181	0.4331	0.4331	0	0.1881	0.1881	0.4331	0.4331
	h2	7.9921	7.9134	7.9134	7.9134	7.9134	7.9921	7.9134	7.9134	7.9134	7.9134
	e5	5.3543	5.3543	5.748	5.748	6.8898	5.3543	5.3543	5.748	5.748	6.8898
	h3	5.6693	5.6693	6.1417	6.1417	7.3622	5.6693	5.6693	6.1417	6.1417	7.3622
Aseptic Flange DIN 11864-2** (3A0-3A3)	a1	8.2283	8.3465	8.3858	8.7008	8.7795	9.4882	9.6063	9.6457	9.9606	10.0394
	f2	0	0.1181	0.1181	0.4331	0.4331	0	0.1181	0.1181	0.4331	0.4331
	h2	7.7953	7.7165	7.7165	7.5197	7.5197	7.7953	7.7165	7.7165	7.5197	7.5197
	e5	5.3346	5.3346	5.6102	5.3346	6.6772	5.3346	5.3346	5.6102	5.6102	6.6732
	h3	5.4528	5.4528	5.7283	5.4528	6.7913	5.4528	5.4528	5.7283	5.7283	6.7913
Clamp to DIN 32676 (3A0-3A2)	a1	8.1102	8.2283	8.5039	8.8189	8.8189	9.3701	9.4882	9.7638	10.0787	10.0787
	f2	0	0.1181	0.1181	0.4331	0.4331	0	0.1181	0.1181	0.4331	0.4331
	h2	7.6378	7.5591	7.5591	7.5984	7.5984	7.6178	7.5591	7.5591	7.5984	7.5984
	e5	5.374	5.374	5.9055	5.9055	6.8898	5.374	5.374	5.9055	5.9055	6.8898
	h3	5.2953	5.2953	5.8268	5.8268	6.811	5.2953	5.2953	5.8268	5.8268	6.811
Flange DIN EN 1092-1*** (DIN 2642) PN 10 (3A0)	a1	7.7953	7.9134	8.3071	8.622	8.5827	9.0551	9.1732	9.5669	9.8819	9.8425
	f2	0	0.1181	0.1181	0.4331	0.4331	0	0.1181	5.0394	0.4331	0.4331
	h2	7.2835	7.2047	7.2047	7.4016	7.4016	7.2835	7.2047	4.9606	7.4016	7.4016
	e5	5.0394	5.0394	5.7087	5.7087	6.6929	5.0394	5.0394	5.7087	5.7087	6.6929
	h3	4.9606	4.9606	5.6299	5.6299	6.6142	4.9606	4.9606	5.6299	5.6299	6.6142
Clamp to Tri-Cover ITE-Tri-Clamp (3A0-3A1)	a1	9.5276	9.6457	-	-	-	10.7874	10.9055	-	-	-
	f2	0	0.1181	0.1181	0.4331	0.4331	0	0.1181	0.1181	0.4331	0.4331
	h2	7.9134	7.8346	7.8346	7.6378	7.6378	7.9134	7.8346	7.8346	7.6378	7.6378
	e5	On Request					On Request				
	h3	On Request					On Request				
Weld neck flange DIN EN 1092-1 (DIN 2633) PN 16 (3A0)	a1	9.0551	9.1732	9.1732	9.4882	-	10.315	10.4331	10.4331	10.748	-
	f2	0	0.1181	0.1181	0.4331	-	0	0.1181	0.1181	0.4331	-
	h2	8.4252	8.4646	8.4646	8.2677	-	8.4252	8.4646	8.4646	8.2677	-
	e5	On Request					On Request				
	h3	On Request					On Request				
AVP-FG1 Threaded Connection DIN ISO 228 (male) (3A0)	a1	8.2282	8.3465	8.3465	8.6614	-	9.4882	9.6063	9.6063	9.9213	-
	f2	0	0.1181	0.1181	0.4331	-	0	0.1181	0.1181	0.4331	-
	h2	-	7.6378	7.6378	7.4409	-	-	7.6378	7.6378	7.4409	-
	e5	On Request					On Request				
	h3	On Request					On Request				

Inches

Contra

Contra II Pipe Connections

Shanley Pump & Equipment, Inc.

