

Annular housing with clamp ring (KLM)

EURO-HYGIA

Pump Model

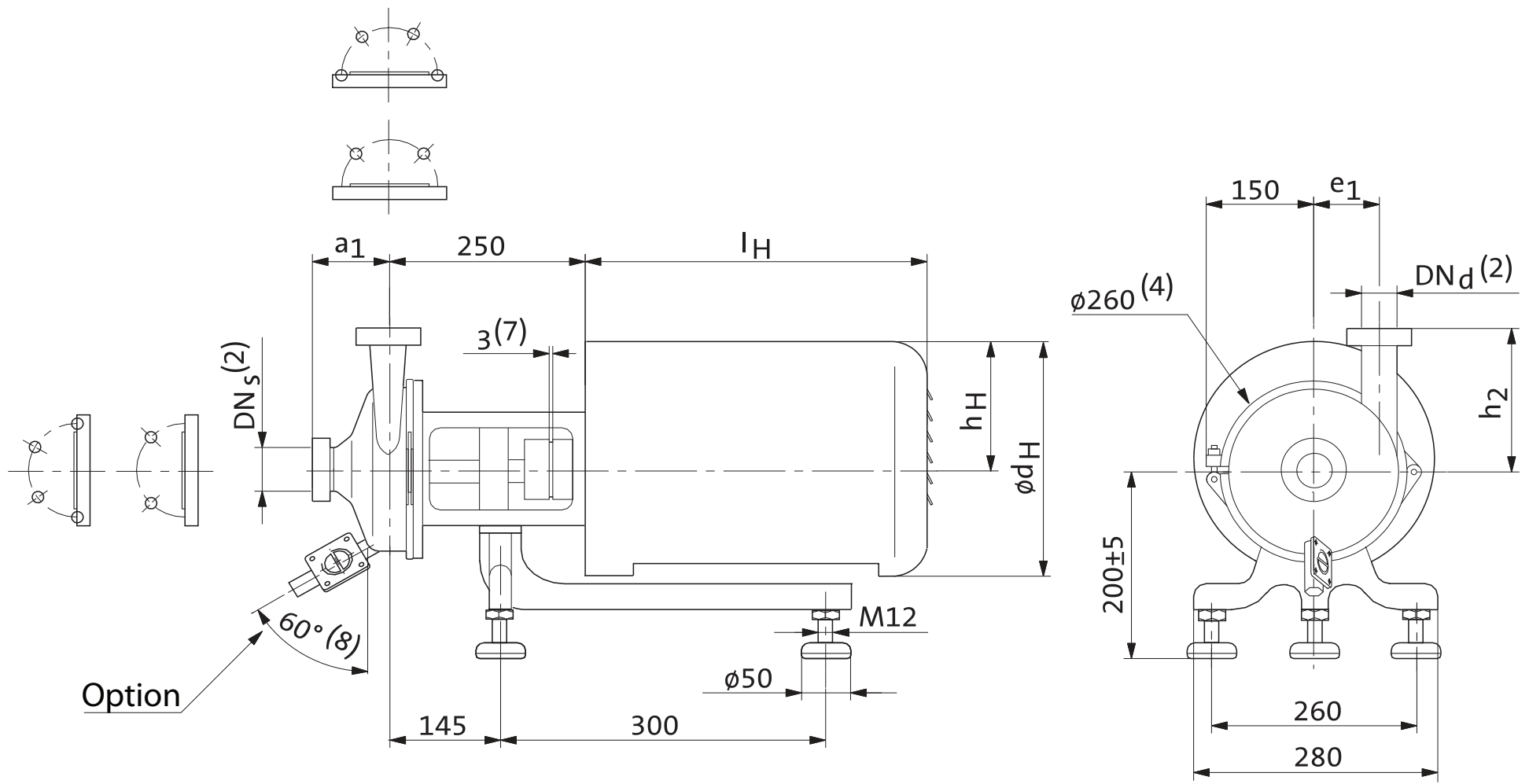
appx. 2900 rpm.

Euro-Hygia

Euro-HYGIA® 1 Bloc-SUPER on stainless steel combi-foot

Shanley Pump
& Equipment, Inc.





Annular housing with clamp ring (KLM)

EURO-HYGIA

Pump Model

appx. 2900 rpm.

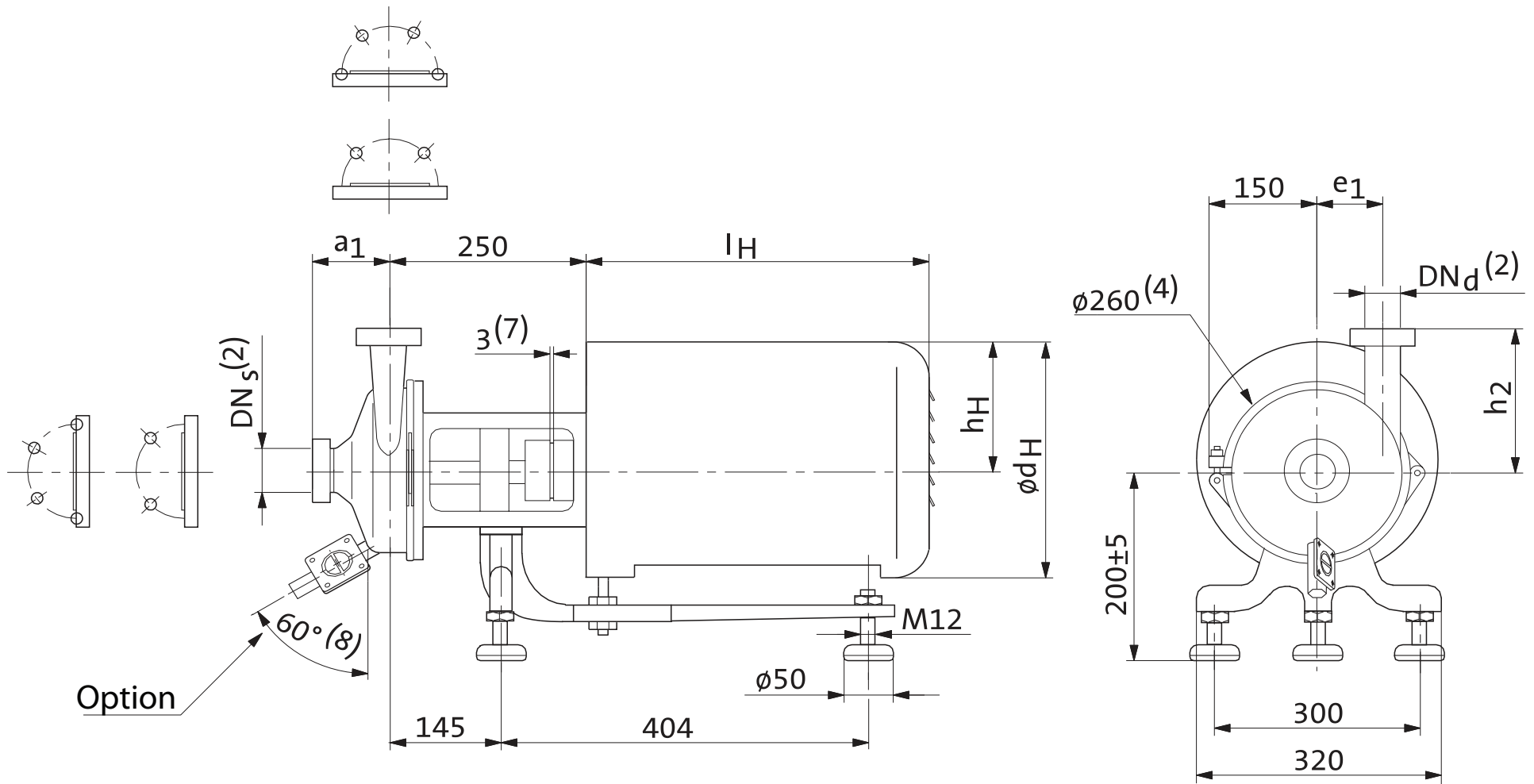
(frame size 80-90)

Euro-Hygia

Euro-HYGIA® 1 Adapta® SUPER on stainless steel combi-foot

**Shanley Pump
& Equipment, Inc.**





Annular housing with clamp ring (KLM)

EURO-HYGIA

Pump Model

appx. 2900 rpm.

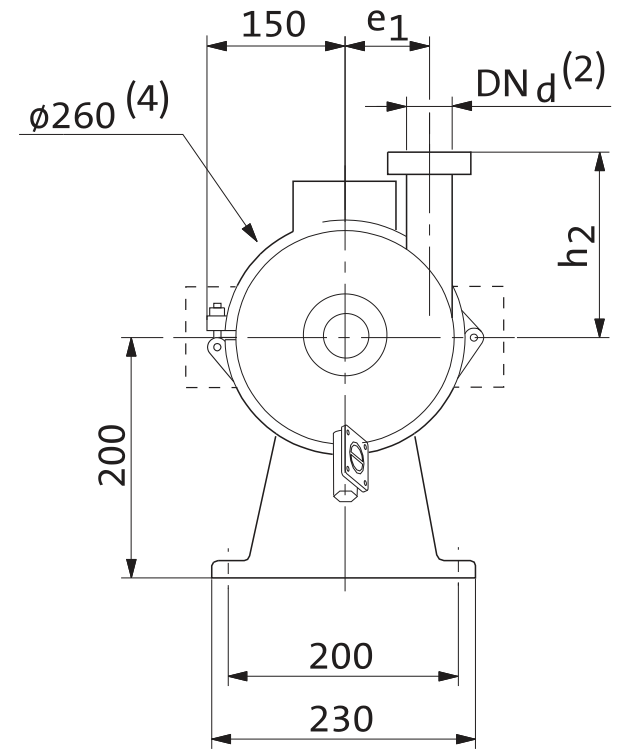
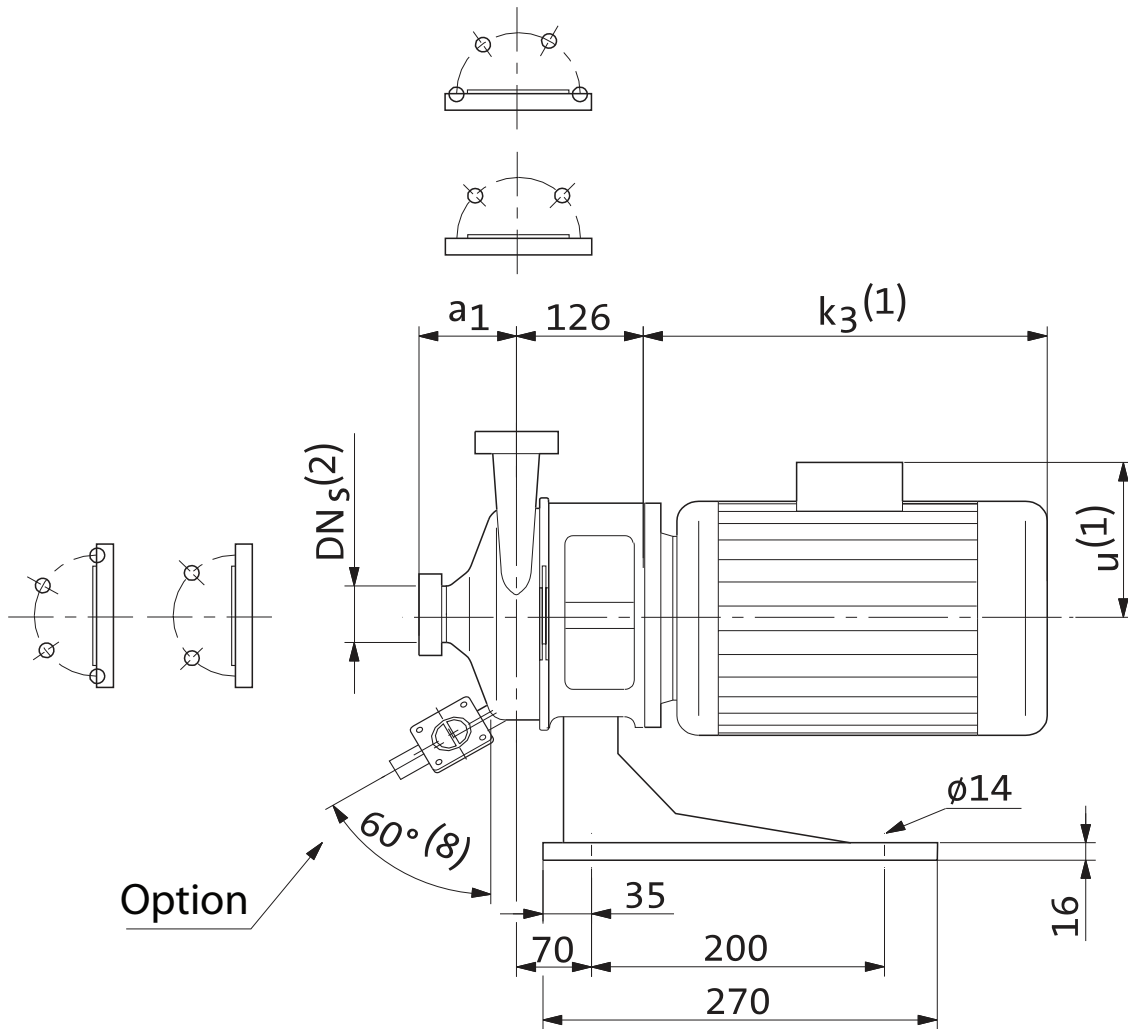
(frame size 100-132)

Euro-Hygia

Euro-HYGIA® 1 Adapta® SUPER on stainless steel combi-foot

**Shanley Pump
& Equipment, Inc.**





Annular housing with clamp ring (KLM)

EURO-HYGIA

Pump Model

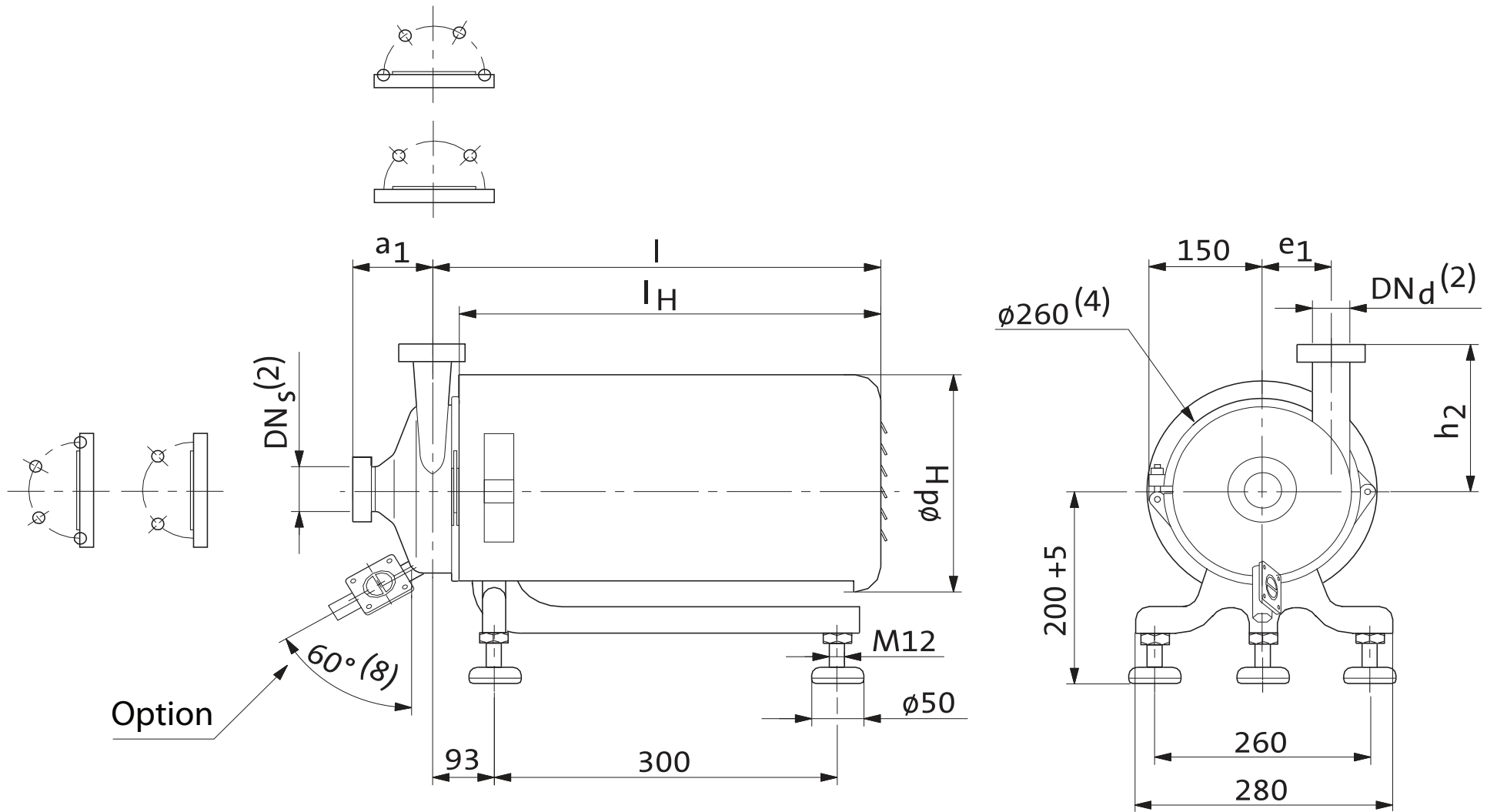
appx. 2900 rpm.

Euro-Hygia

Euro-HYGIA® 1 Bloc on cast iron foot

Shanley Pump
& Equipment, Inc.





Annular housing with clamp ring (KLM)

EURO-HYGIA

Pump Model

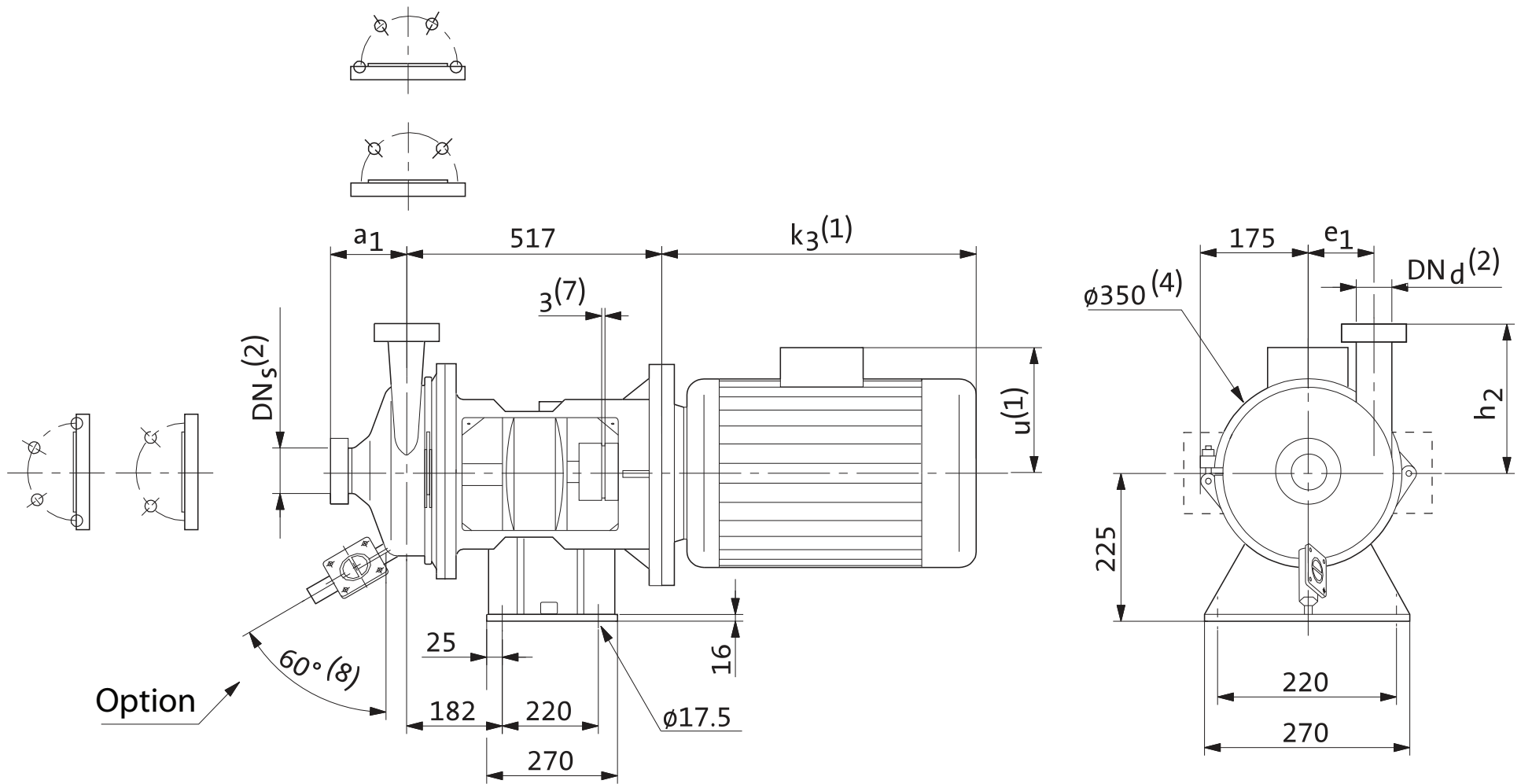
appx. 2900 rpm.

Euro-Hygia

Euro-HYGIA® 1 Bloc-SUPER on stainless steel combi-foot

**Shanley Pump
& Equipment, Inc.**





Annular housing with clamp ring (KLM)

EURO-HYGIA

Pump Model

appx. 2900 rpm.

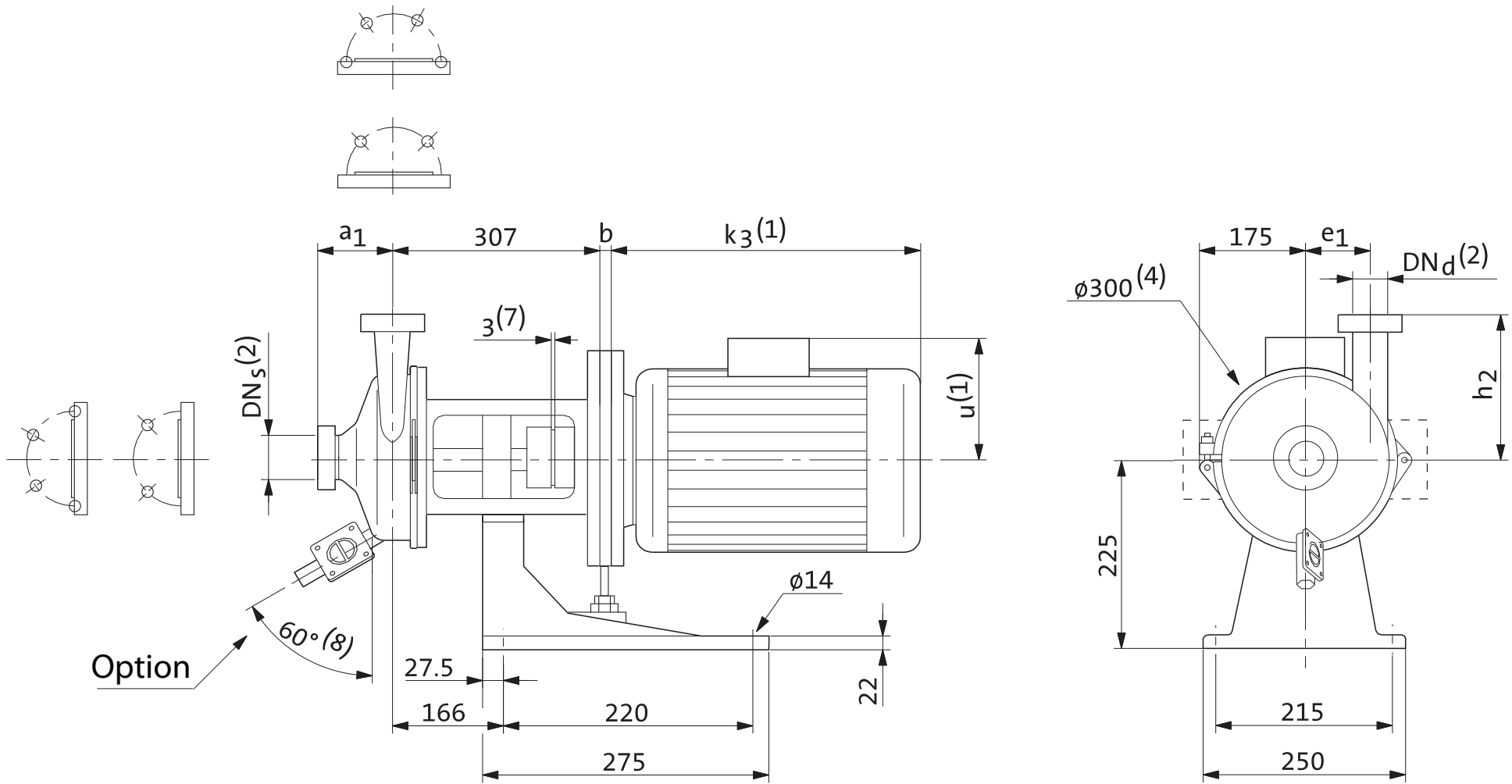
(frame size 180M)

Euro-Hygia

Euro-HYGIA® 2 Adapta® on Adapta® foot

Shanley Pump
& Equipment, Inc.





Annular housing with clamp ring (KLM)

EURO-HYGIA

Pump Model

appx. 2900 rpm.

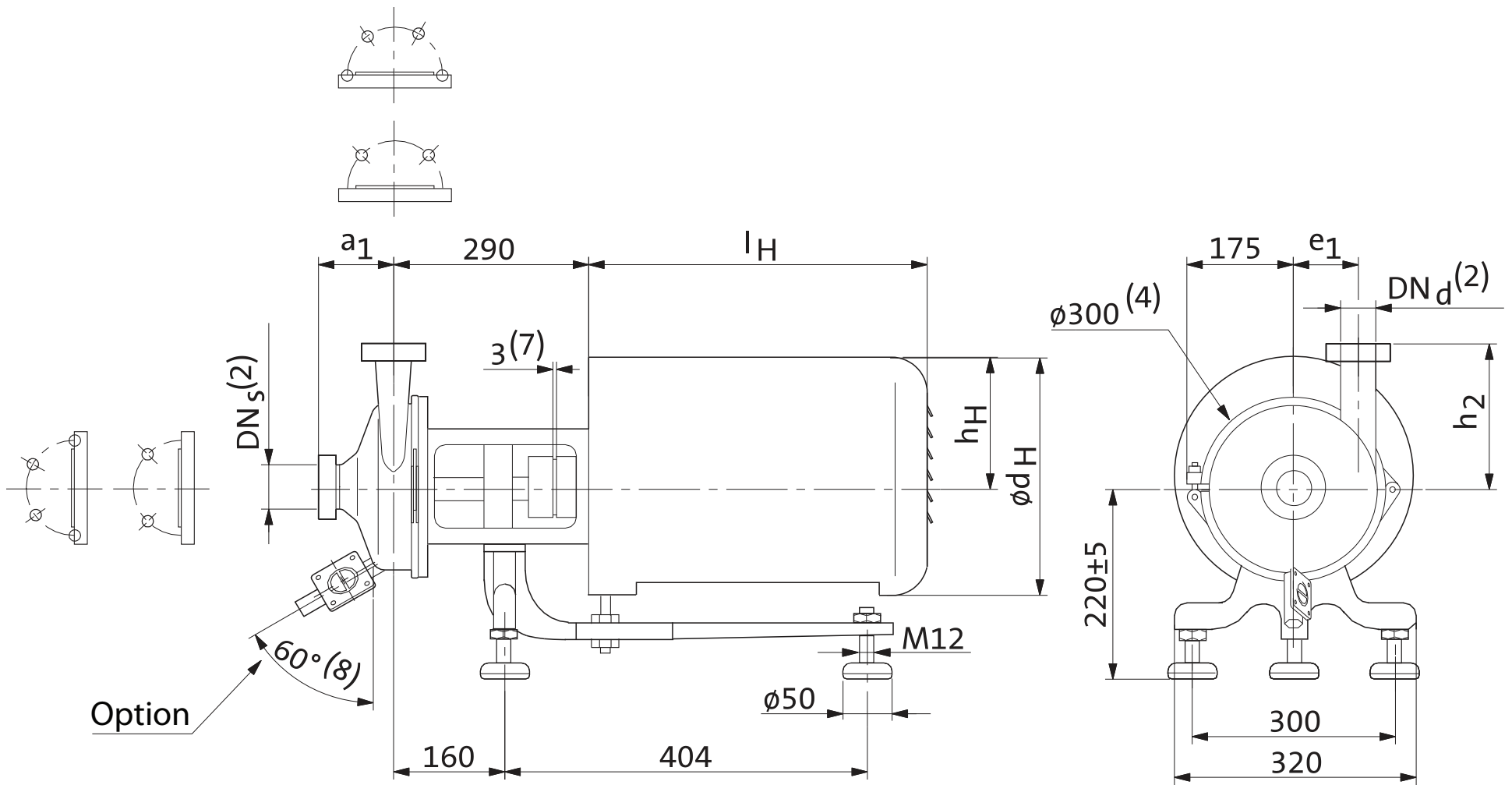
(frame size 100-160)

Euro-Hygia

Euro-HYGIA® 2 Adapta on cast iron foot

**Shanley Pump
& Equipment, Inc.**





Annular housing with clamp ring (KLM)

EURO-HYGIA

Pump Model

appx. 2900 rpm.

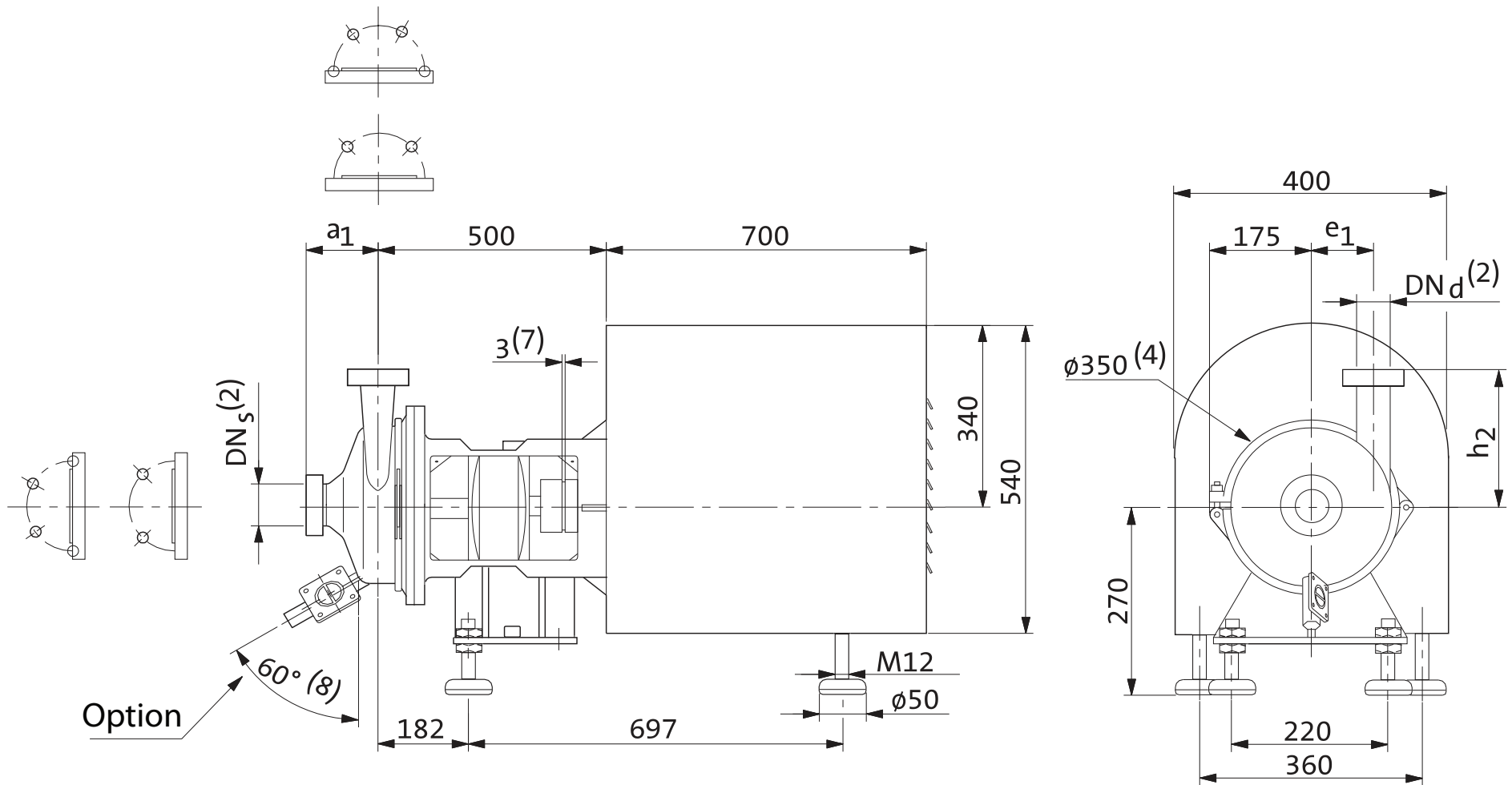
(frame size 100-160)

Euro-Hygia

Euro-HYGIA® 2 Adapta SUPER on stainless steel combi-foot

**Shanley Pump
& Equipment, Inc.**





Annular housing with clamp ring (KLM)

EURO-HYGIA

Pump Model

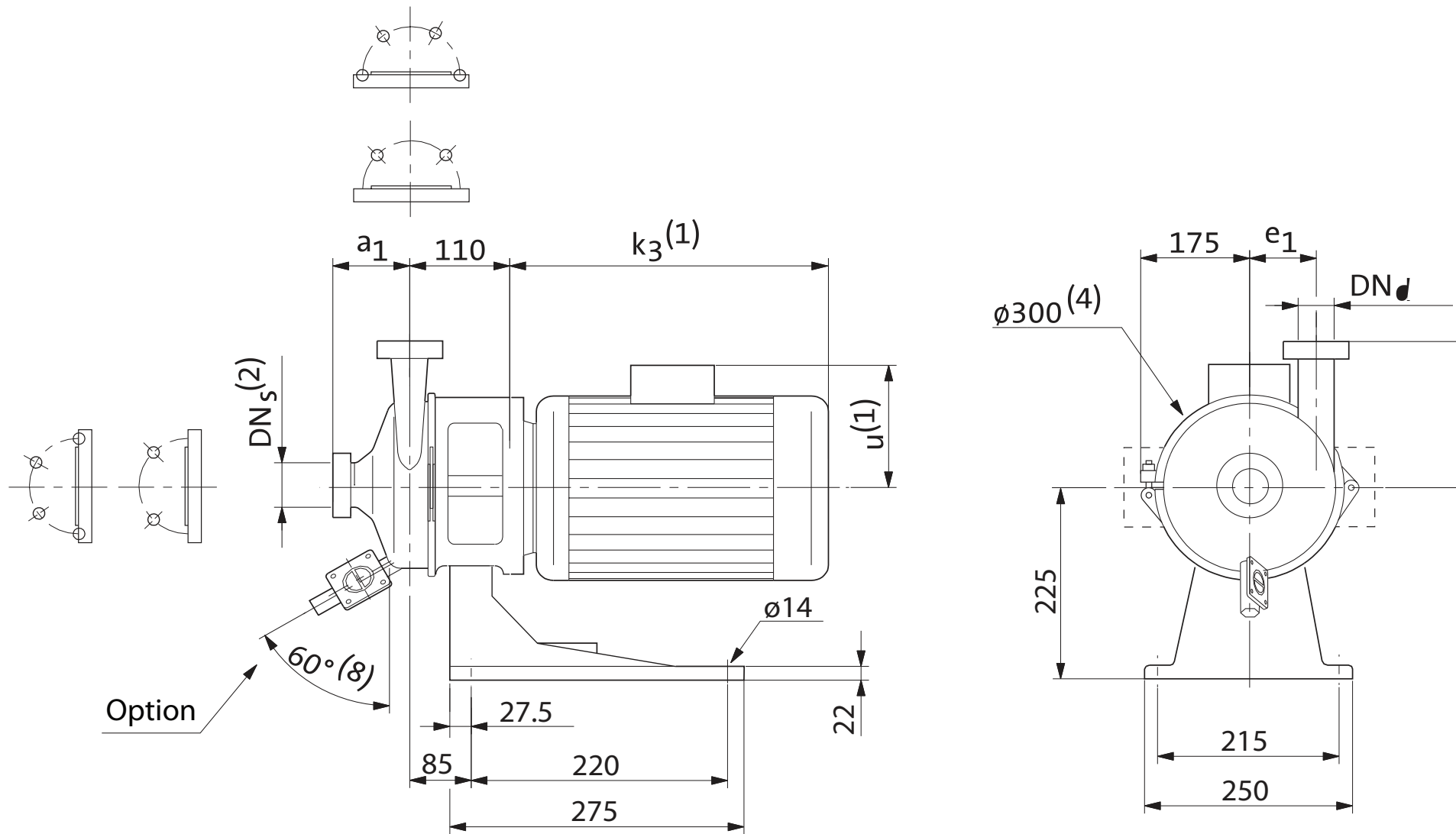
appx. 2900 rpm.

Euro-Hygia

Euro-HYGIA® 2 Adapta SUPER on machine pads

**Shanley Pump
& Equipment, Inc.**





Annular housing with clamp ring (KLM)

EURO-HYGIA

Pump Model

appx. 2900 rpm.

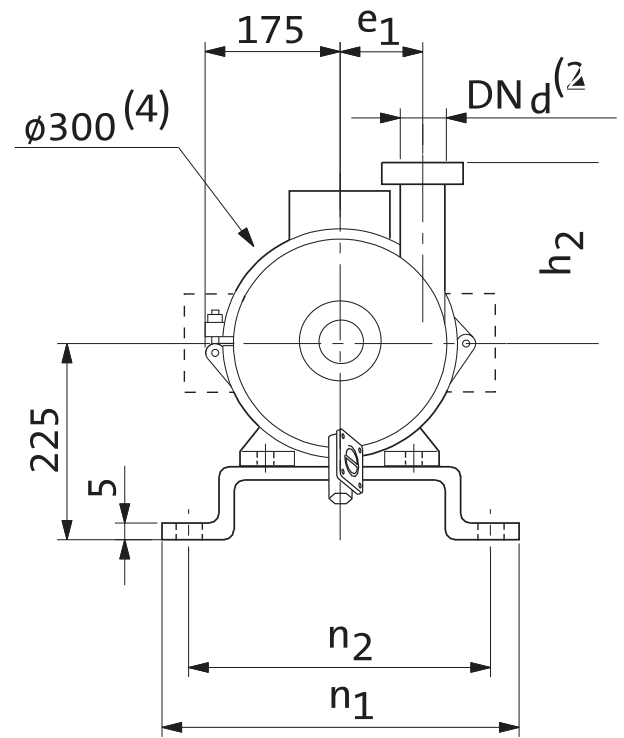
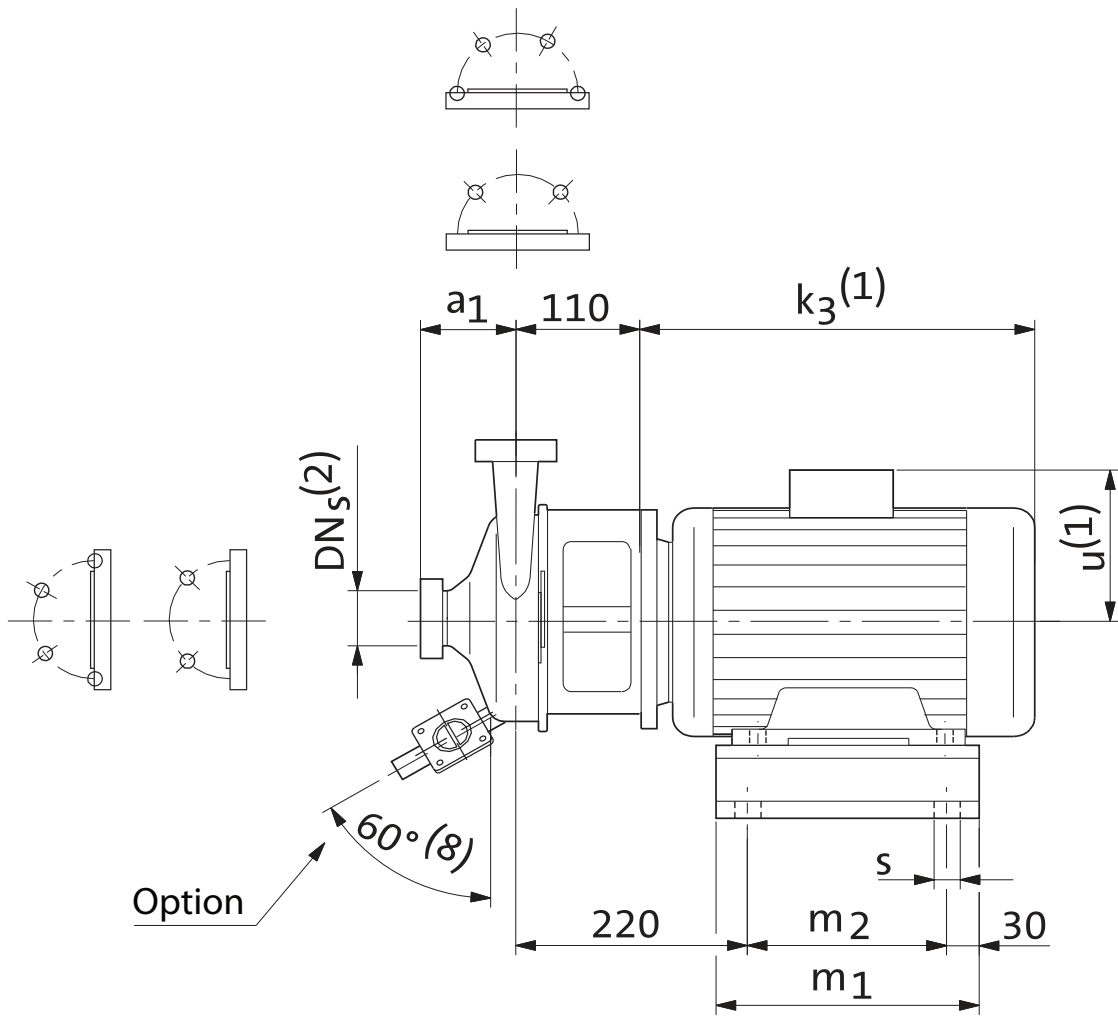
(frame size 90-132)

Euro-Hygia

Euro-HYGIA® 2 Bloc on cast iron foot

**Shanley Pump
& Equipment, Inc.**





Annular housing with clamp ring (KLM)

EURO-HYGIA

Pump Model

appx. 2900 rpm.

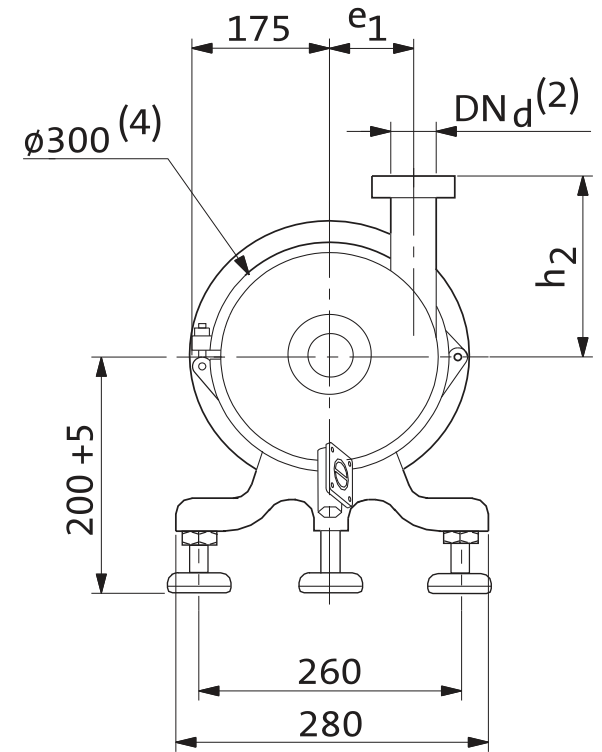
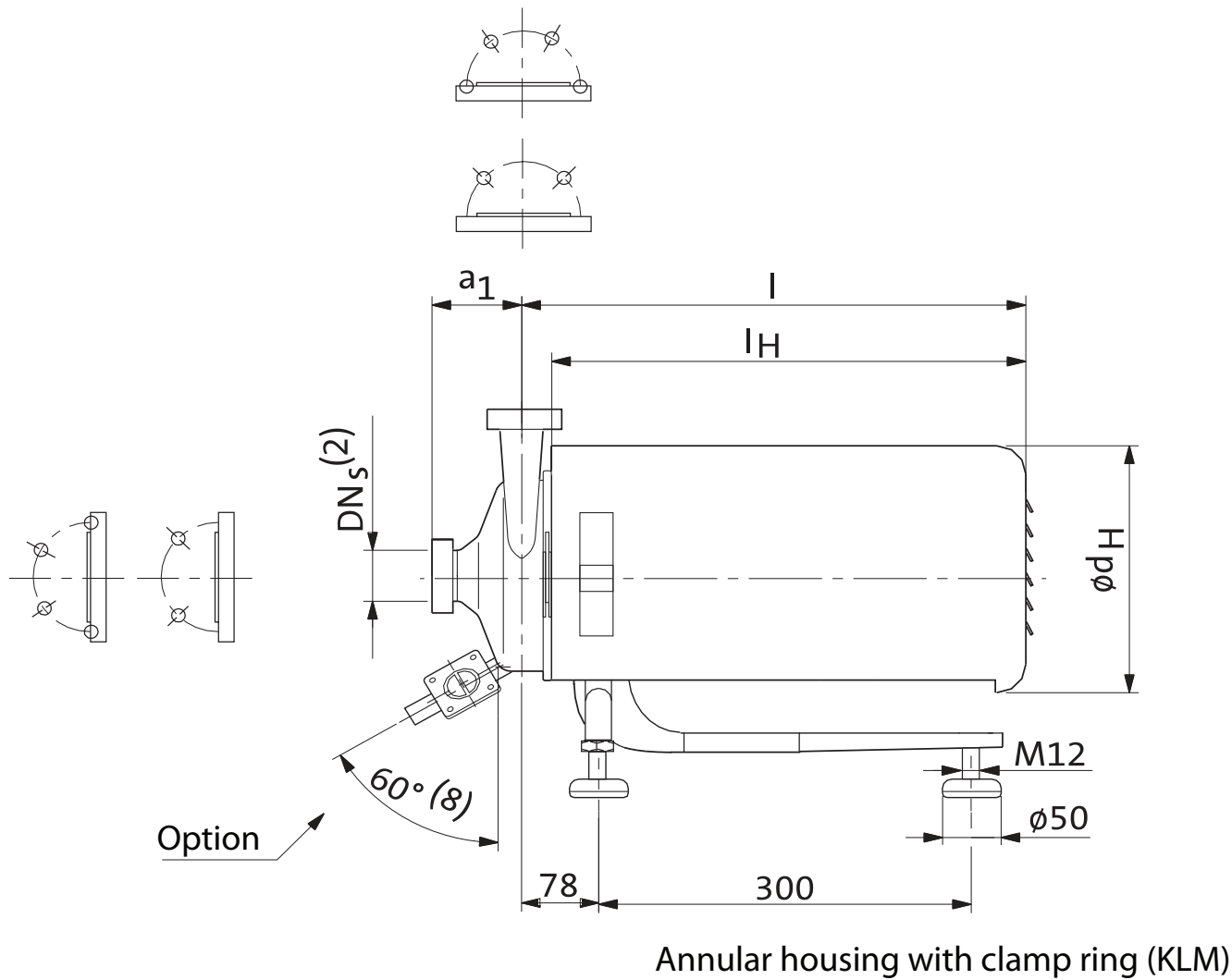
(frame size 160)

Euro-Hygia

Euro-HYGIA® 2 Bloc on motor foot with stainless steel plinth

**Shanley Pump
& Equipment, Inc.**





EURO-HYGIA

Pump Model

appx. 2900 rpm.

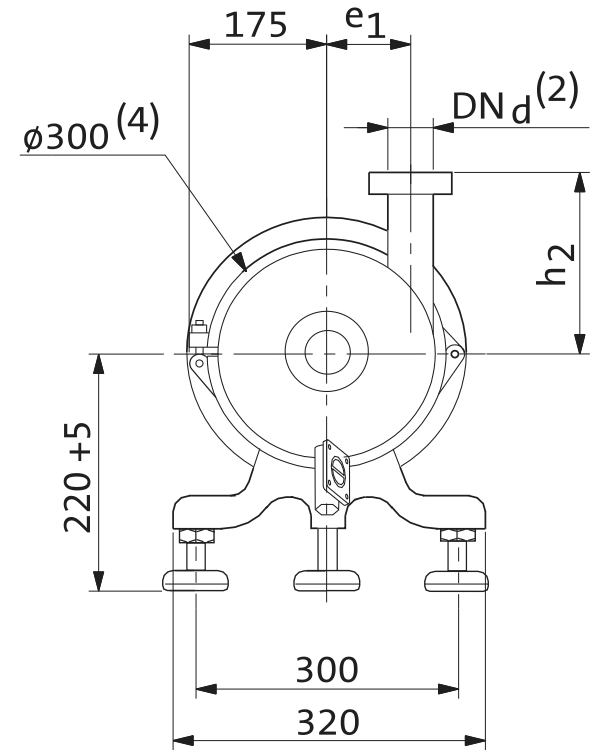
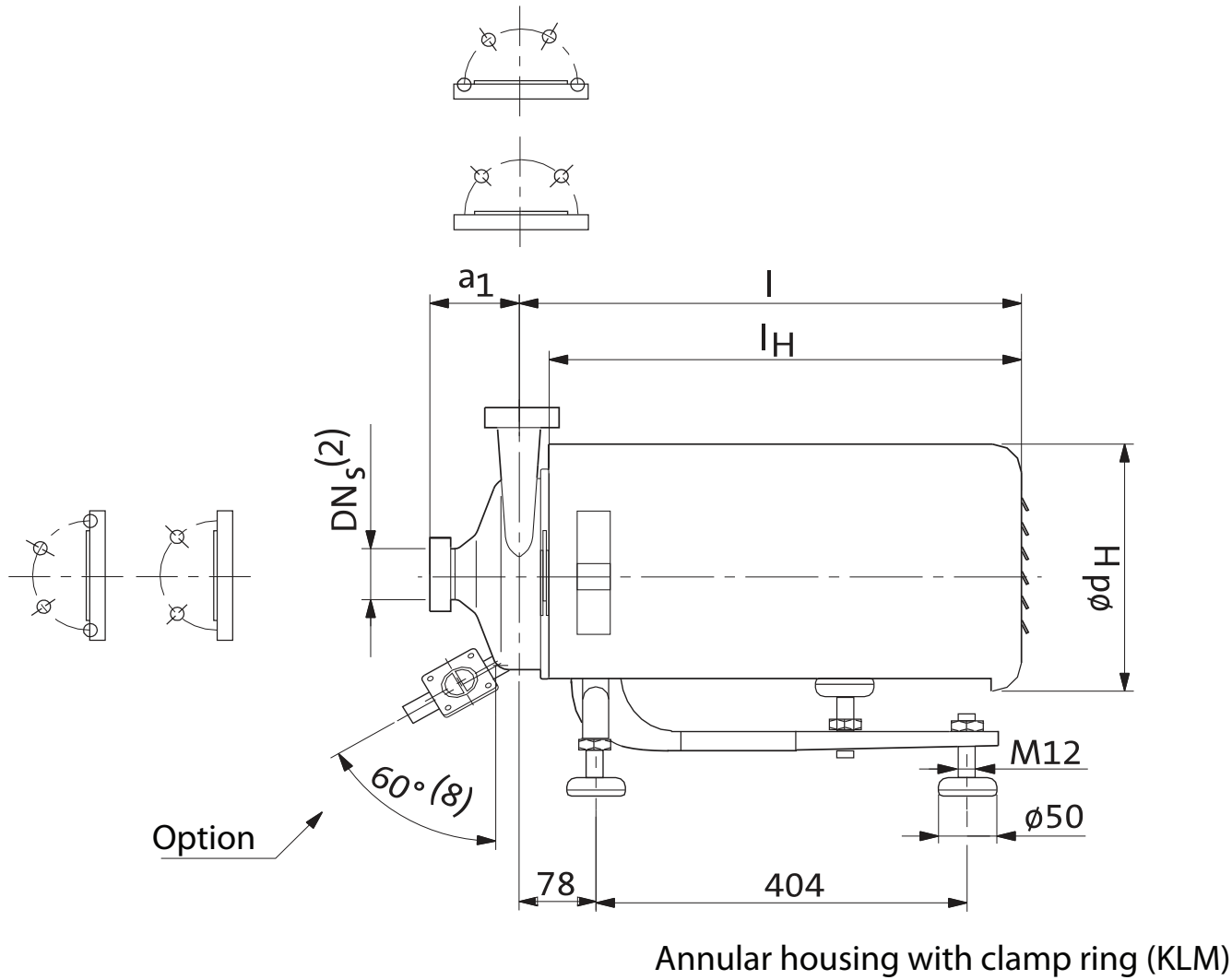
(frame size 90-132)

Euro-Hygia

Euro-HYGIA® 2 Bloc-SUPER on stainless steel combi-foot

**Shanley Pump
& Equipment, Inc.**





EURO-HYGIA

Pump Model

appx. 2900 rpm.

(frame size 160)

Euro-Hygia

Euro-HYGIA® 2 Bloc-SUPER on stainless steel combi-foot

**Shanley Pump
& Equipment, Inc.**

