

Pump	Key	Disc
2LJ3	0.8125 x 0.0937	1.25
2LJ4	0.25 x 0.125	2
2LJ6	0.25 x 0.125	2.5
2LJ8	0.375 x 0.1875	4

JUSTICE Pump Model	Dimensions of pump																				Approx. ≈ lbs.				
	CP	A	D	E	F	F1	F2	G	H	H1	I	K	K1	M	N	O	P	Q	R	S		T	U	V	W
2LJ3	35.375	5.375	4.125	2.125	5.6875	14.25	7.5	0.5	0.4375	0.5625	1	3	1.375	18.3125	2.125	8.25	3.875	9	7.9375	13.75	6.25	0.75	9.75	5	87.5
2LJ4	45.25	7	5.5	2.75	7	18.3125	10	0.625	0.5625	0.75	1.25	3.5	2	23.5	3.125	11	5	11.5	9.9375	16.25	7.375	0.9375	11.75	7	157.5
2LJ6	61.25	8.625	6.25	3.5	8.5625	25	14.5	0.6875	0.6875	0.75	2	4	4	33.875	4.375	12.5	5.5	12.5	13.1875	19	8.75	1.125	14.5	8	258
2LJ8	74.875	11.5	8	4.5	9.25	28.3125	20.5	1.875	0.875	0.75	2	5	5	41.0625	4.625	16	6.5	14.5	16.1875	24.5	11.5	1.375	20	10.5	478

Inches

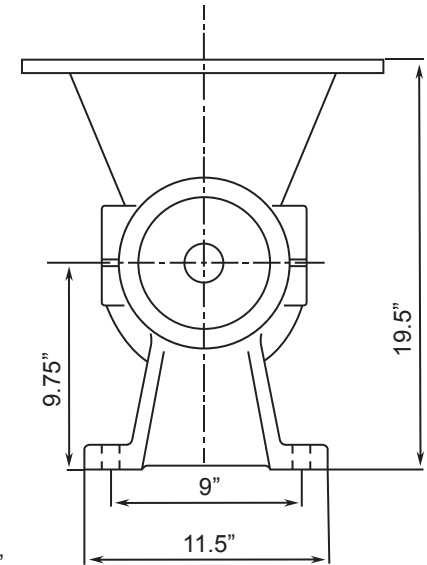
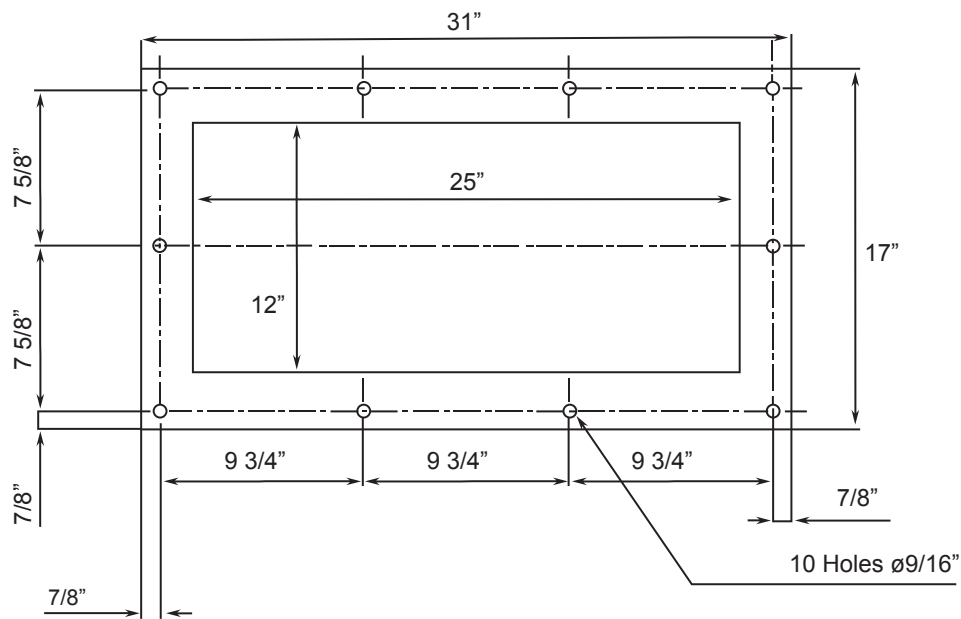
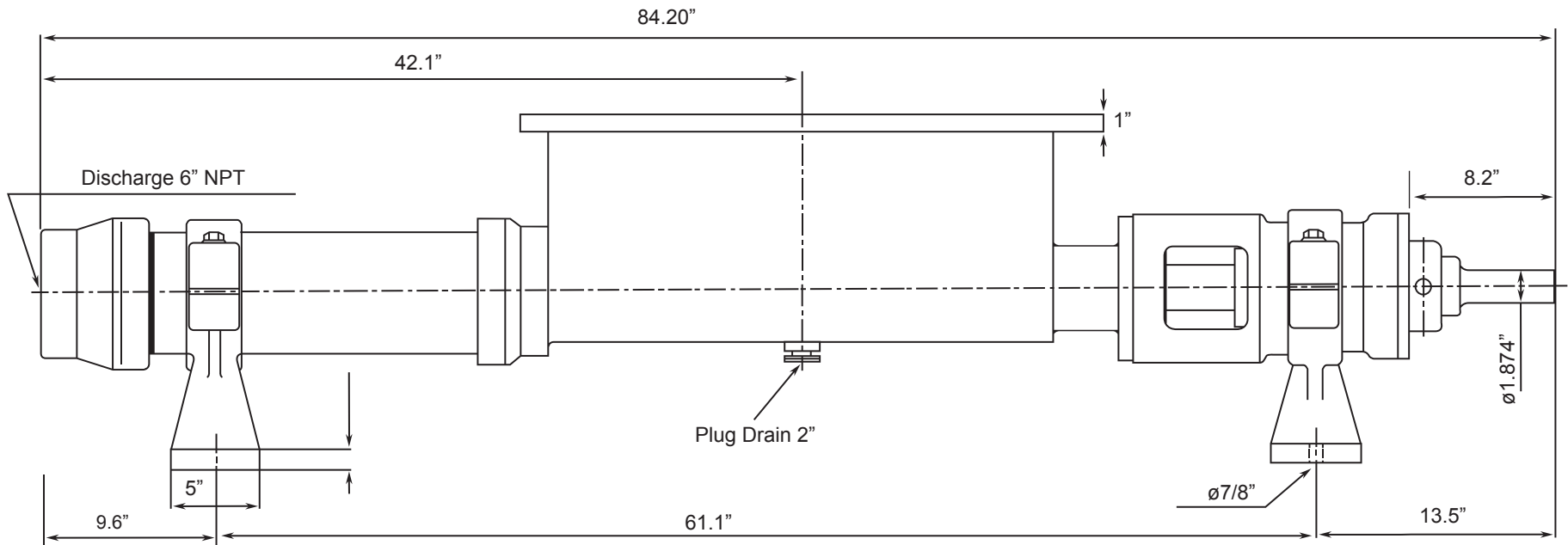
# JUSTICE

2 Stage  
Progressive Cavity Hopper Pump

Subject to alteration! Discharge ANSI Companion flange available upon request

Shanley Pump  
& Equipment, Inc.





**JUSTICE**  
 Pump Model  
 2LJ10

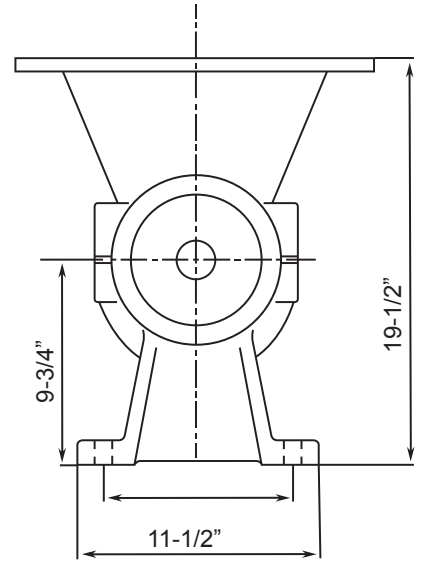
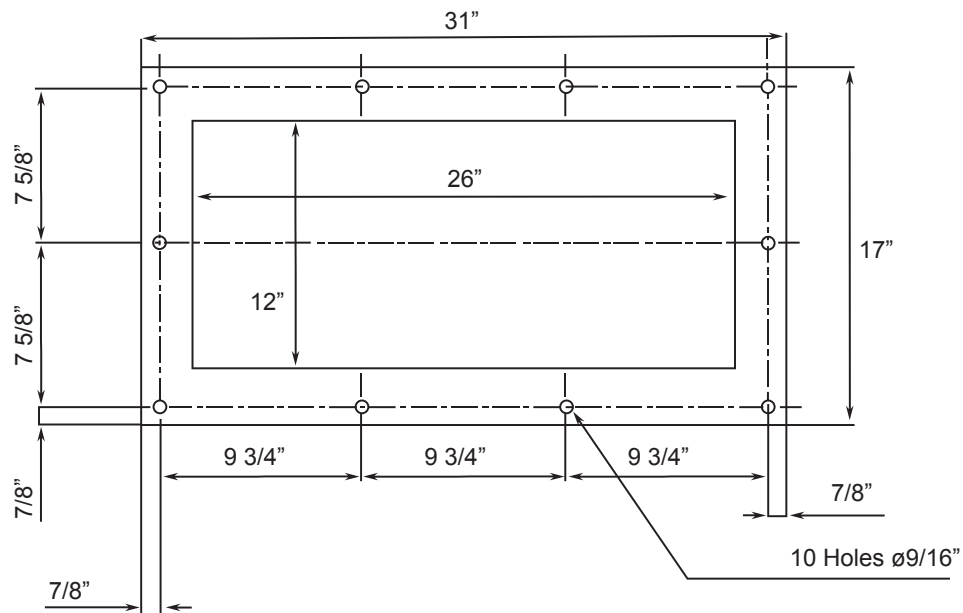
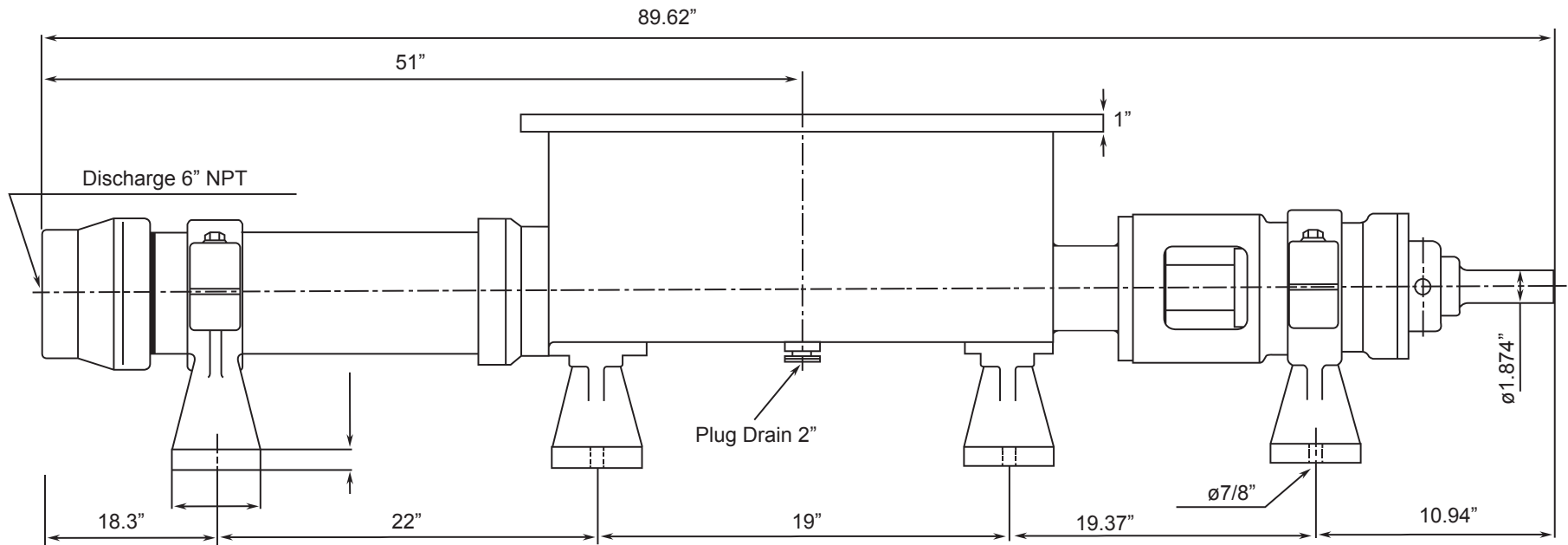
**JUSTICE**

2 Stage  
 Progressive Cavity Hopper Pump

Subject to alteration! Discharge ANSI Companion flange available upon request

**Shanley Pump  
 & Equipment, Inc.**





**JUSTICE**  
 Pump Model  
 2LJ10H

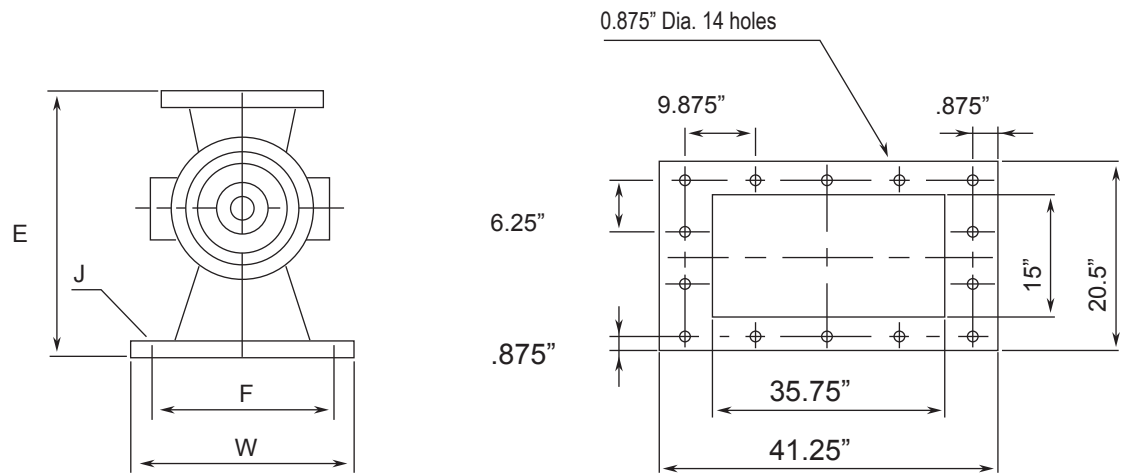
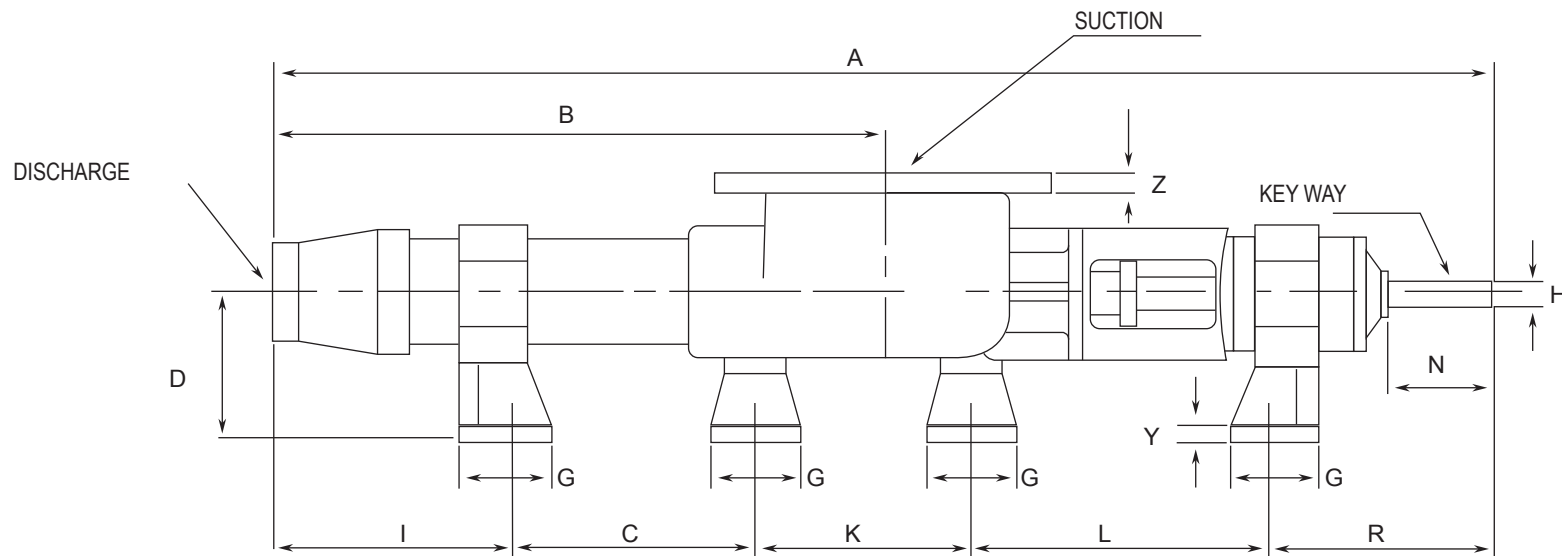
**JUSTICE**

2 Stage  
 Progressive Cavity Hopper Pump

Subject to alteration! Discharge ANSI Companion flange available upon request

**Shanley Pump  
 & Equipment, Inc.**





Pump	Key	Disc
2LJ12	0.5 x 0.25	6" NPT
2LJ12H	0.5 x 0.25	6" NPT

JUSTICE Pump Model	Dimensions of pump																		
	A	B	C	D	E	F	G	H	I	J	K	L	N	R	W	X	Y	Z	
2LJ12	105.56	58.19	25	12.5	22.37	12.62	6	2.25	20.19	0.94	25.75	21.75	6	12.875	14.5	3	1.125	1.125	
2LJ12H	121.125	73.75	40.50	12.5	22.37	12.62	6	2.25	20.25	0.94	25.75	21.75	6	12.875	14.5	3	1.125	1.125	

Inches

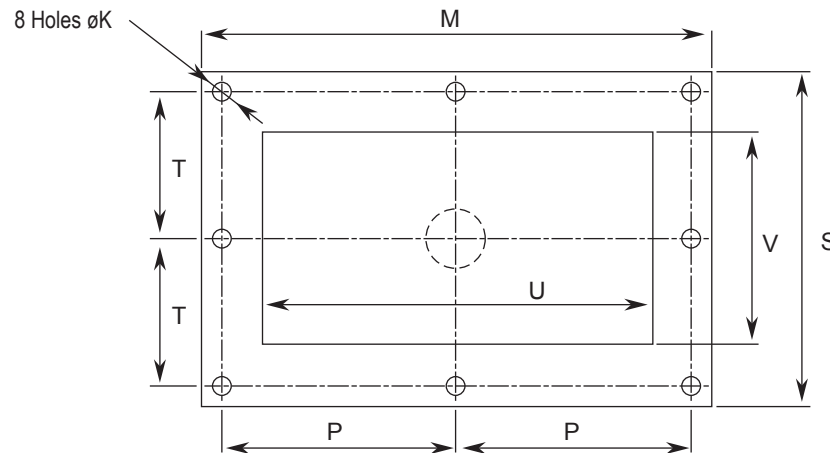
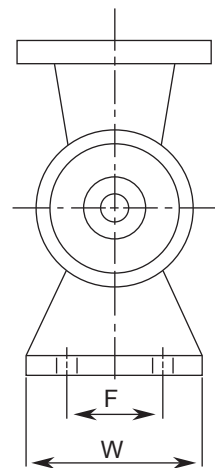
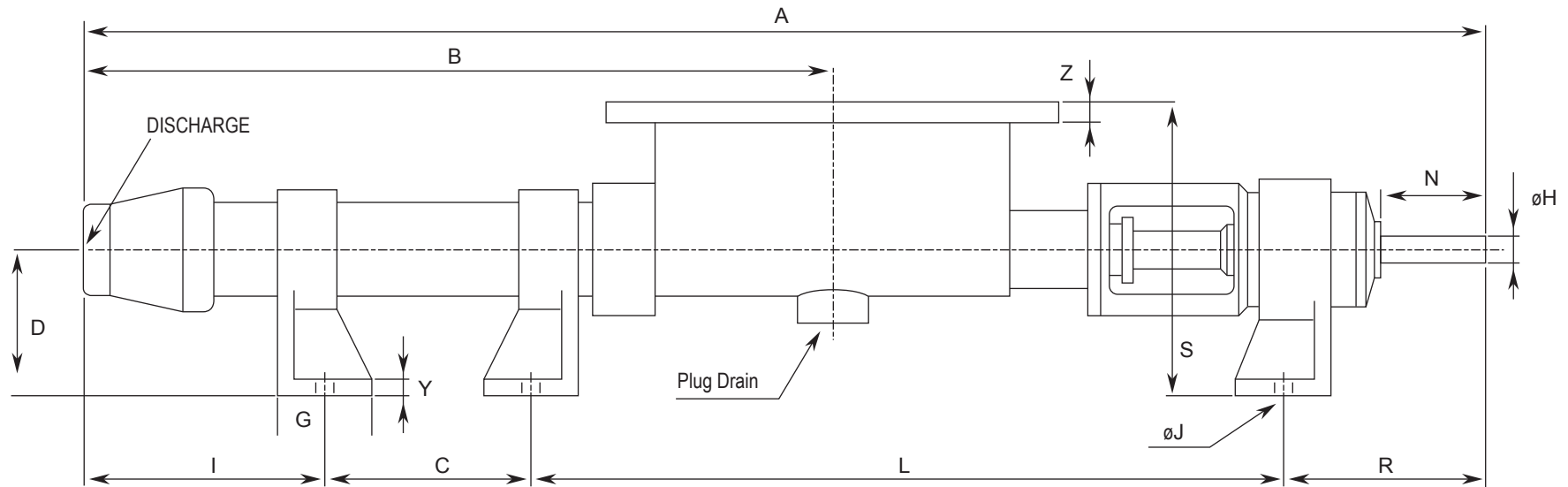
# JUSTICE

2 Stage  
Progressive Cavity Hopper Pump

Subject to alteration! Discharge ANSI Companion flange available upon request

**Shanley Pump  
& Equipment, Inc.**





Pump	Key	Disc
3LJ6	0.25 x 0.125	2.5" NPT
3LJ8	0.375 x 0.1875	4" NPT

JUSTICE Pump Model	Dimensions of pump																					Approx. ≈ lbs.	Inches		
	A	B	C	D	E	F	G	H	I	J	L	M	N	K	P	R	S	T	U	V	W			X	Y
3LJ6	71.85	44.48	18	6.25	12.5	7	4	1.125	13.19	0.6875	32.1	19	4.375	0.75	8.75	8.56	12.5	5.5	14.5	8	8.63	2	0.6875	0.875	22
3LJ8	87.88	57.75	24	8	16	9	5	1.375	16.75	0.875	37.88	24.5	4.625	0.75	11.5	9.25	14.5	6.5	20	10.5	11.5	2	1.125	0.9375	24

# JUSTICE

3 Stage  
Progressive Cavity Hopper Pump

Subject to alteration! Discharge ANSI Companion flange available upon request

Shanley Pump  
& Equipment, Inc.

