

JUSTICE

Progressive Cavity Pumps

Shanley Pump
& Equipment, Inc.



JUSTICE

Features

The Liberty Justice Series Open Hopper Progressive Cavity Pump represents an ideal low-flow pumping solution for viscous solutions with high solids contents such as sludges and slurries, wine must, pulp and paper and adhesives and other low-flowable pumping mediums. Flow rates of .86 GPM per 100 Revolutions (0 GPM to 380 GPM) at up to 225 PSI are standard through the range of the series. The Justice Series design has a heavy-duty auger mated to a rotor and stator for the most difficult pumping applications.

Description

Rotors and Stators for the Justice LJ3 Series are available in 1, 2, and 3 stages for applications with 75, 150, and 225 PSI discharge pressures with stators available in Buna Nitrile, Viton, EPDM and Natural Rubber. The standard seal design is a set of packing with a lantern ring and flush connections. Mechanical Seal options are readily available. The Liberty LJ3 Progressive Cavity Pump parts are direct aftermarket replacements that dimensionally interchange with the Moyno™ J3, and the Tarby™ TJ3 Series.

Contact a Shanley Pump & Equipment, Inc. sales representative today for more information about the Justice Series.



Shanley Pump & Equipment, Inc.
 2525 S. Clearbrook Drive
 Arlington Heights, IL 60005
P: 847.439.9200
F: 847.439.9388
 www.shanleypump.com
 sales@shanleypump.com

Usage

The large rectangular feed hopper design easily accommodates your pumping medium while the non-pulsating design of the product produces a low-shear flow that conveys the medium along effortlessly. Solids in suspension of up to 50% are accommodated by the Auger design.

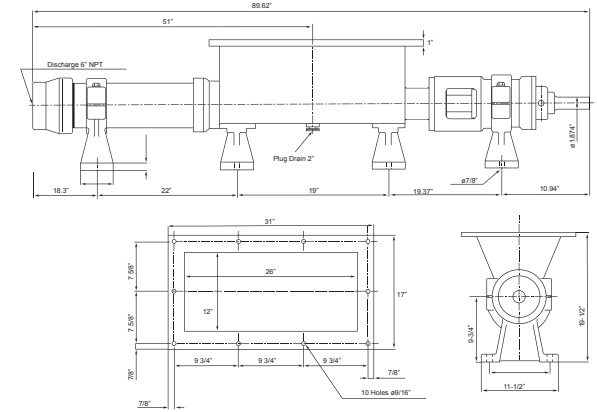
Main Applications

- Brewing Industry Pumping
- Paper Industry Pumping
- Beverage Industry Pumping
- Sanitary Application Pumping
- Spent Grains & Mash Tun Removal Pump
- Solids Content Pumping Applications
- Pig Farming Pumping Applications
- Poultry Farming Pumping Applications

GPM 0 - 380 GPM

PSI 0 - 225 PSI

TEMP 0°F - +300°F



Dimensions Drawings

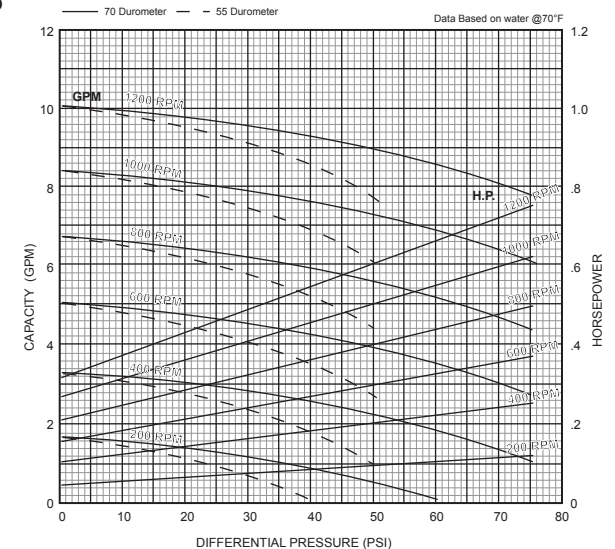
[Click here for complete dimensional drawings](#)



60HZ
Performance Curve

1LJ3

RPM	200	400	600	800	1000	1200
NPSH REQ'D	.6	1.3	2	2.6	3.2	3.9
MIN. HP	1/4	1/3	1/3	1/2	3/4	3/4



[Click here for complete Flow Curves](#)