

MILLENNIUM

Progressive Cavity Pumps

Shanley Pump
& Equipment, Inc.



MILLENNIUM

Features

The Millennium Series low shear and gentle pumping action enables it to pump delicate fluids and not emulsify the liquid making it an ideal sludge pump. Solids handling capability of up to up to 50% by weight allows even the toughest application to be pumped. The Millennium's modular design comes with a positively sealed, hardened gear joint assembly, hardened tool steel rotors or stainless steel rotors both with hard chrome plating for long-life pumping and a wide selection of stators in Buna Nitrile, Viton, EPDM and Natural Rubber.

All other wetted parts are either carbon steel or 316 stainless steel. The standard seal design is a set of packing with a Lantern Ring and flush connectors. Mechanical seal and Cartridge seal options are readily available.

Description

The Millennium Series is a standard ANSI flanged pump design manufactured with high strength cast Iron or 316 Stainless Steel pump casings and designed in 1, 2 and up to 4 stages for 90, 180, 350 psi discharge pressures making it an ideal low-cost, maintenance free drop-in replacement pump.



Shanley Pump & Equipment, Inc.
 2525 S. Clearbrook Drive
 Arlington Heights, IL 60005
P: 847.439.9200
F: 847.439.9388
www.shanleypump.com
sales@shanleypump.com

Usage

The Millennium Series flow rate of 12 gallons/100 revolutions @ 0 to 54 GPM coupled to its high temperature resistance of up to 350° Fahrenheit makes it an ideal solution for your industrial heavy-duty pumping needs.

Inlet: 4"
 Outlet: 4" - ANSI Flange
 Rotor: Chrome Plated Steel or Stainless Steel
 Stator: Buna Nitrile, Natural Rubber, Viton™

- Solids Handling up to 50%

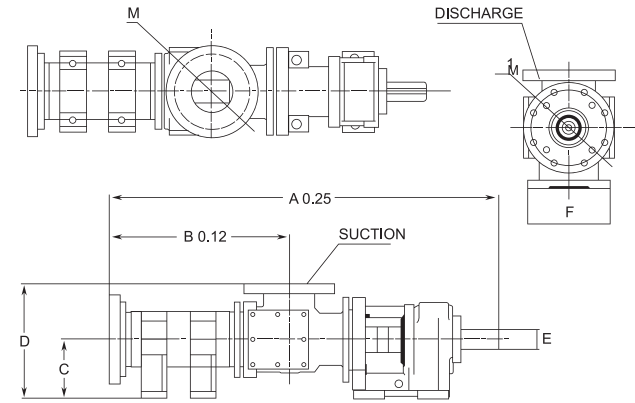
Main Applications

- Plant Engineering Pumping
- Processing Technology Pumping
- Wastewater Treatment Pumping
- Water Supply & Treatment Pumping
- Oil Industry Pumping
- Wastewater Plant Applications
- Industrial Waste Pumping
- Slaughterhouse Pumping
- Pig Farming Pumping Applications
- Solids Content Pumping Applications

GPM 0 - 742 GPM

PSI 0 - 180 PSI

TEMP 0° F - +350° F

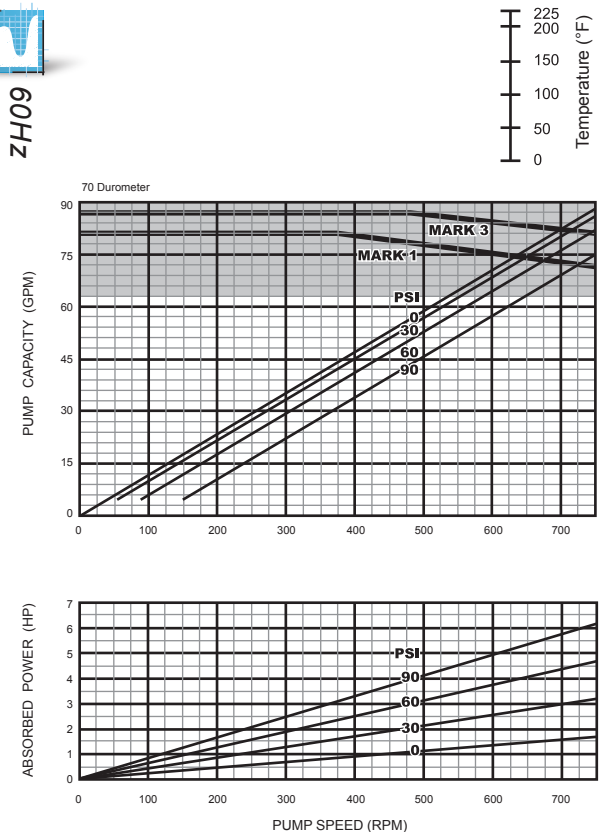


Dimensions Drawings

[Click here for complete dimensional drawings](#)



60Hz Performance Curve



[Click here for complete Flow Curves](#)