

**VKI - 4**

**Pump Model**

appx. 2900 rpm.

No. of Stages	Motor Size	kW	Dimensions of pump		
			B	BL	L
2	71	0.37	9.3701	8.2677	17.6378
3	71	0.55	10.4331	8.2677	18.7008
4	80	0.75	11.6929	9.1732	20.8661
5	80	1.1	12.7559	9.1732	21.9291
6	80	1.1	13.8189	9.1732	22.9921
7	90S	1.5	15.5512	11.063	26.6142
8	90S	1.5	16.6142	11.063	27.6772
9	90L	2.2	17.6772	11.063	28.7402
10	90L	2.2	18.7402	11.063	29.8031
11	90L	2.2	19.8031	11.063	30.8661
12	100L	3.0	20.8661	12.3228	33.189
13	100L	3.0	21.9291	12.3228	34.252
14	100L	3.0	23.3071	12.3228	35.6299
15	100L	3.0	24.3701	12.3228	36.6929
16	100L	3.0	25.4331	12.3228	37.7559
17	112M	4.0	26.4961	13.1102	39.6063
18	112M	4.0	27.5591	13.1102	40.6693
19	112M	4.0	28.622	13.1102	41.7323
20	112M	4.0	29.685	13.1102	42.7953
21	112M	4.0	30.748	13.1102	43.8583
22	132S	5.5	31.811	14.7244	46.5354

Inches

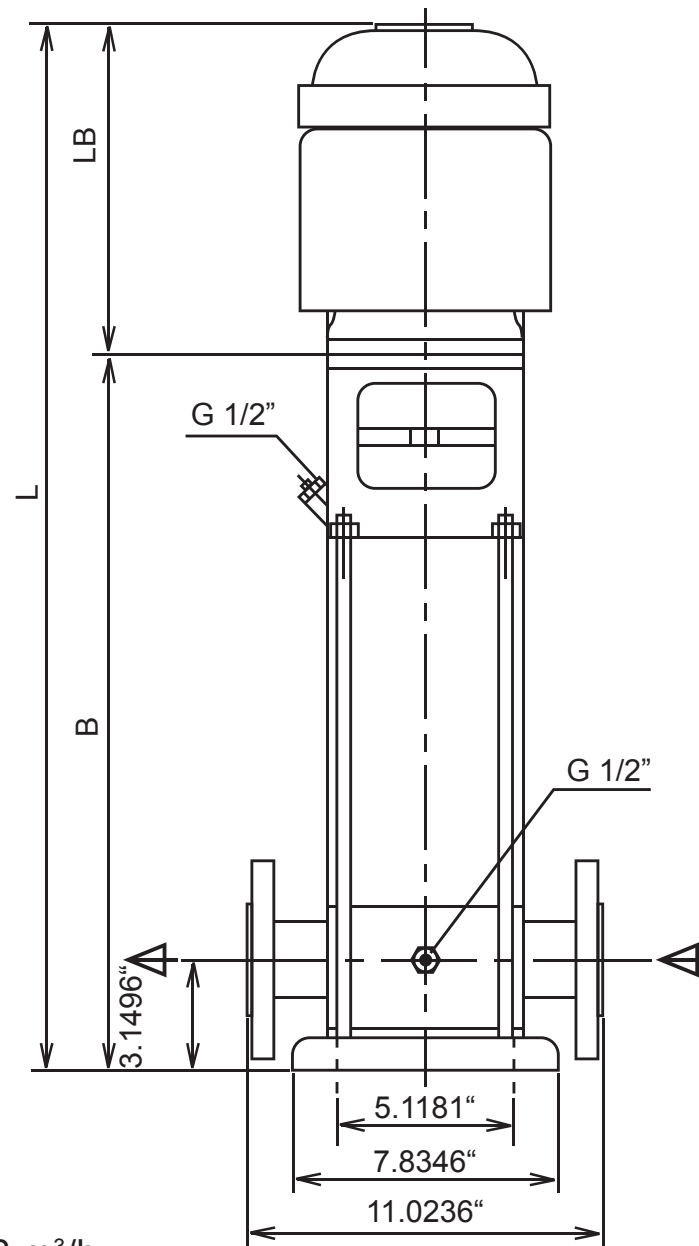
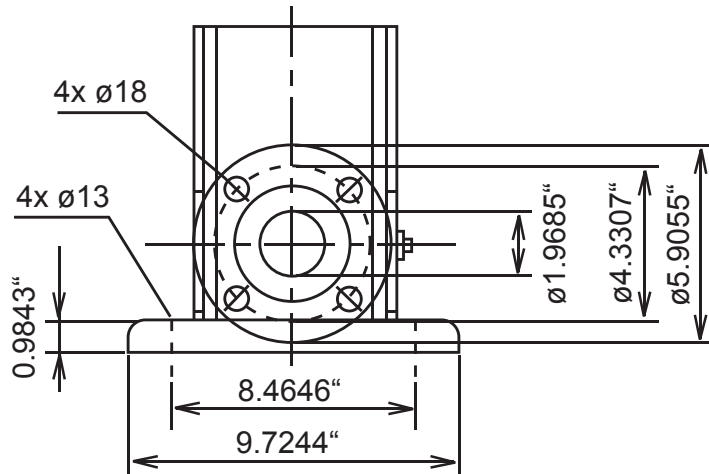
Rated Flow: 4 m<sup>3</sup>/h



Vertical High Pressure Multistage Centrifugal Irrigation Pump

Shanley Pump & Equipment, Inc.





### VKI - 8

#### Pump Model

appx. 2900 rpm.

No. of Stages	Motor Size	kW	Dimensions of pump		
			B	LB	L
2	80	0.75	13.7795	9.1732	22.9528
3	80	1.1	14.9606	9.1732	24.1339
4	90S	1.5	16.5354	11.063	27.5984
5	90L	2.2	17.7165	11.063	28.7795
6	90L	2.2	18.8976	11.063	29.9606
7	100L	3.0	20.4724	12.3228	32.7953
8	100L	3.0	21.6535	12.3228	33.9764
9	112M	4.0	22.8346	13.1102	35.9449
10	112M	4.0	24.0157	13.1102	37.126
11	112M	4.0	25.1969	13.1102	38.3071
12	132S	5.5	26.378	14.7244	41.1024
13	132S	5.5	28.3465	14.7244	43.0709
14	132S	5.5	29.5276	14.7244	44.252
15	132S	5.5	30.7087	14.7244	45.4331
16	132S	5.5	31.8898	14.7244	46.6142
17	132S	7.5	33.0709	14.7244	47.7953
18	132S	7.5	34.252	14.7244	48.9764
19	132S	7.5	35.4331	14.7244	50.1575
20	132S	7.5	36.6142	14.7244	51.3386

Inches

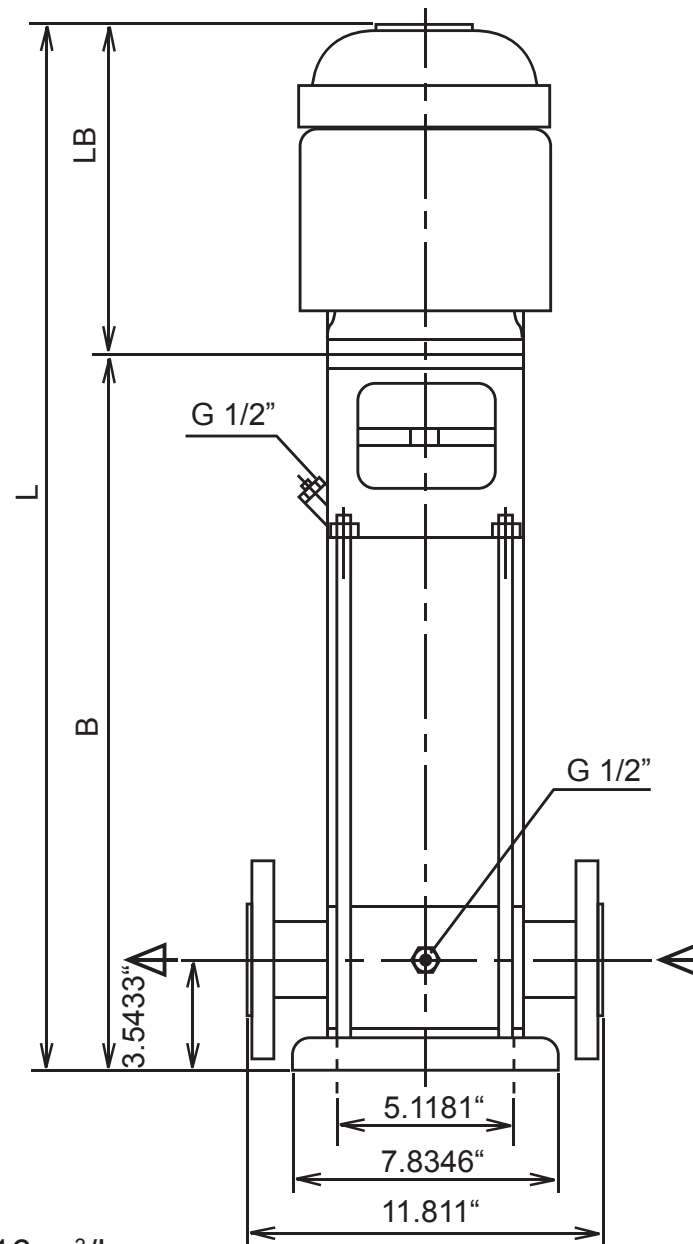
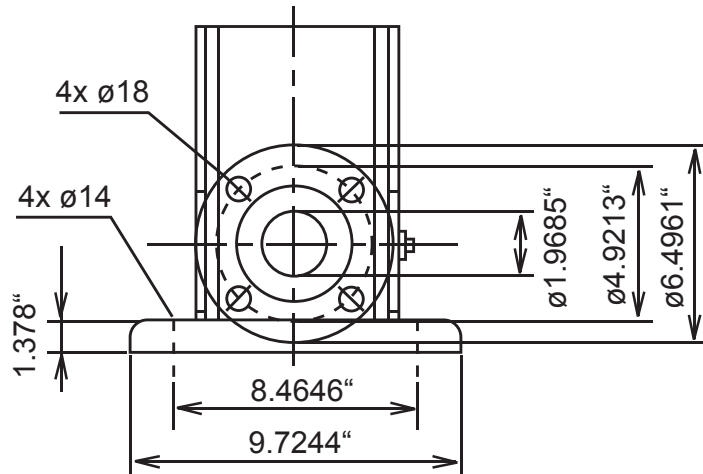
Rated Flow: 8 m<sup>3</sup>/h



Vertical High Pressure Multistage Centrifugal Irrigation Pump

Shanley Pump & Equipment, Inc.





## VKI - 16

### Pump Model

appx. 2900 rpm.

No. of Stages	Motor Size	kW	Dimensions of pump		
			B	LB	L
2	90L	2.2	15.748	11.063	26.811
3	100L	3.0	17.9134	12.3228	30.2362
4	112S	4.0	19.685	13.1102	32.7953
5	132S	5.5	22.2441	14.7244	36.9685
6	132S	5.5	24.0157	14.7244	38.7402
7	132S	7.5	25.7874	14.7244	40.5118
8	132S	7.5	27.5591	14.7244	42.2835
9	160M	11	29.3307	19.2913	48.622
10	160M	11	32.2835	19.2913	51.5748
11	160M	11	34.0551	19.2913	53.3465
12	160M	11	35.8268	19.2913	55.1181
13	160M	15	37.5984	19.2913	56.8898
14	160M	15	39.3701	19.2913	58.6614
15	160M	15	41.1417	19.2913	60.4331
16	160M	15	42.9134	19.2913	62.2047

Inches

Rated Flow: 16 m<sup>3</sup>/h



Vertical High Pressure Multistage Centrifugal Irrigation Pump

Shanley Pump & Equipment, Inc.

